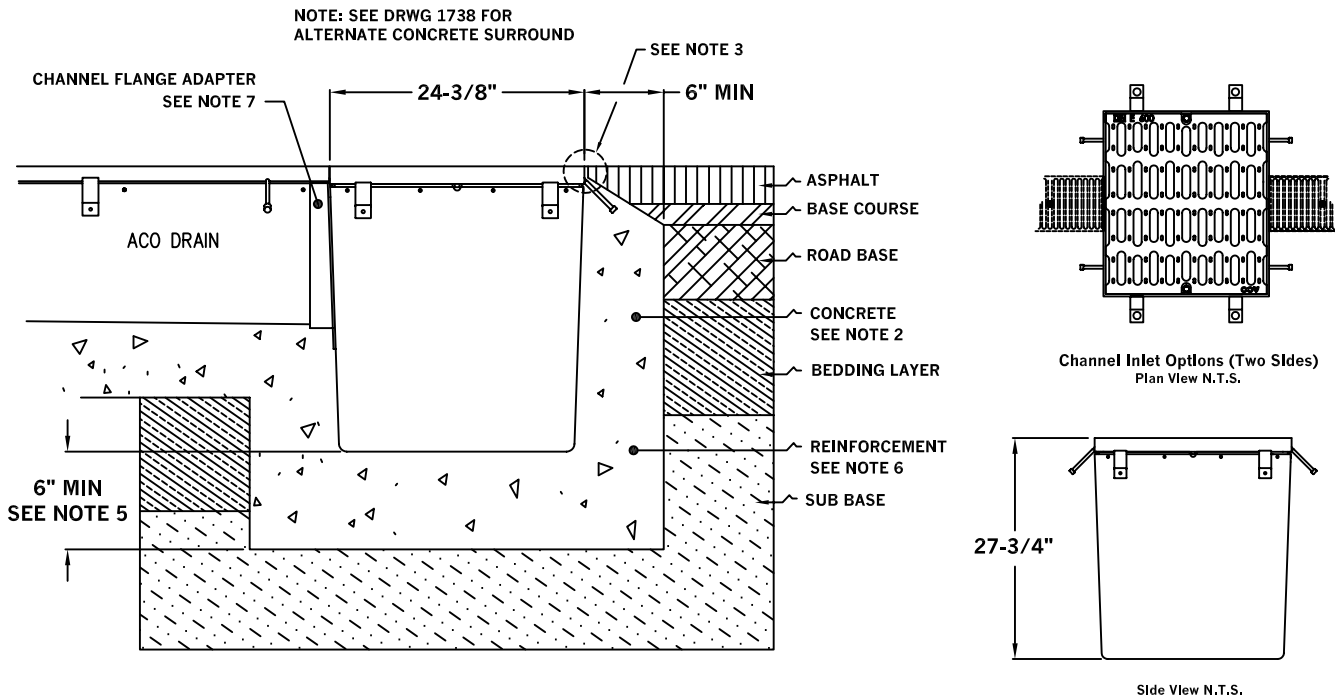


880 Catch Basin; Load Class A-E; Asphalt



NOTES:

1. It is necessary to ensure the minimum dimensions shown are suitable for the existing ground conditions. *Engineering advice may be required.*
2. A minimum concrete strength of 3000 PSI is recommended. The concrete should be vibrated to eliminate air pockets.
3. The finished level of the asphalt surround must be approx. 1/8" above the top of the catch basin edge.
4. Refer to ACO'S latest installation instructions for complete details.
5. Concrete base thickness should match the slab thickness.
6. Rebar or steel mesh reinforcement may be required. *Engineering advice may be required.*
7. Channel flange adaptor recommended for channel-catch basin interface. (Field attached)

880 Catch Basin

The 880 Catch Basin shall be made from fiberglass with a stainless*, galvanized* or black painted* steel frame and stainless* or galvanized* bar or ductile iron grate as manufactured by ACO Polymer Products, Inc., Chardon, Oh.

The 880 Catch Basin be used in conjunction with 4"/8" ACO DRAIN trench drain and shall accept trench drain on two sides as shown above.

The catch basin shall be 23.8 in. (604mm) maximum inside length with a 24.2 in. (614mm) maximum inside width. Catch basin depth is 25.7 in. (652mm). The overall height is 27.75 in (704mm).

The complete catch basin and trench drainage system shall be by ACO Polymer Products, Inc. Any deviation or partial system design and/or improper installation will void any and all warranties provided by ACO Polymer Products, Inc.

Catch basin shall withstand loading to Load Class C* or E* (DIN 19 580). Grate shall be _____
Catch basin, trench channel and grate shall be independently certified to meet the specified DIN 19580 load class.

Fiberglass shall have material properties of: compressive strength of 16,000 psi; flexural strength of 24,000 psi; tensile strength of 16,400 psi. The material water absorption rate of nil. The fiberglass shall be resistant to prolonged salt exposure, repetitive frost cycles and chemically resistant to dilute acids and alkalis.

The system shall be installed in accordance with the manufacturer's instructions and recommendations.

*Delete as required - see ACO Drain Trench spec sheets for additional info.