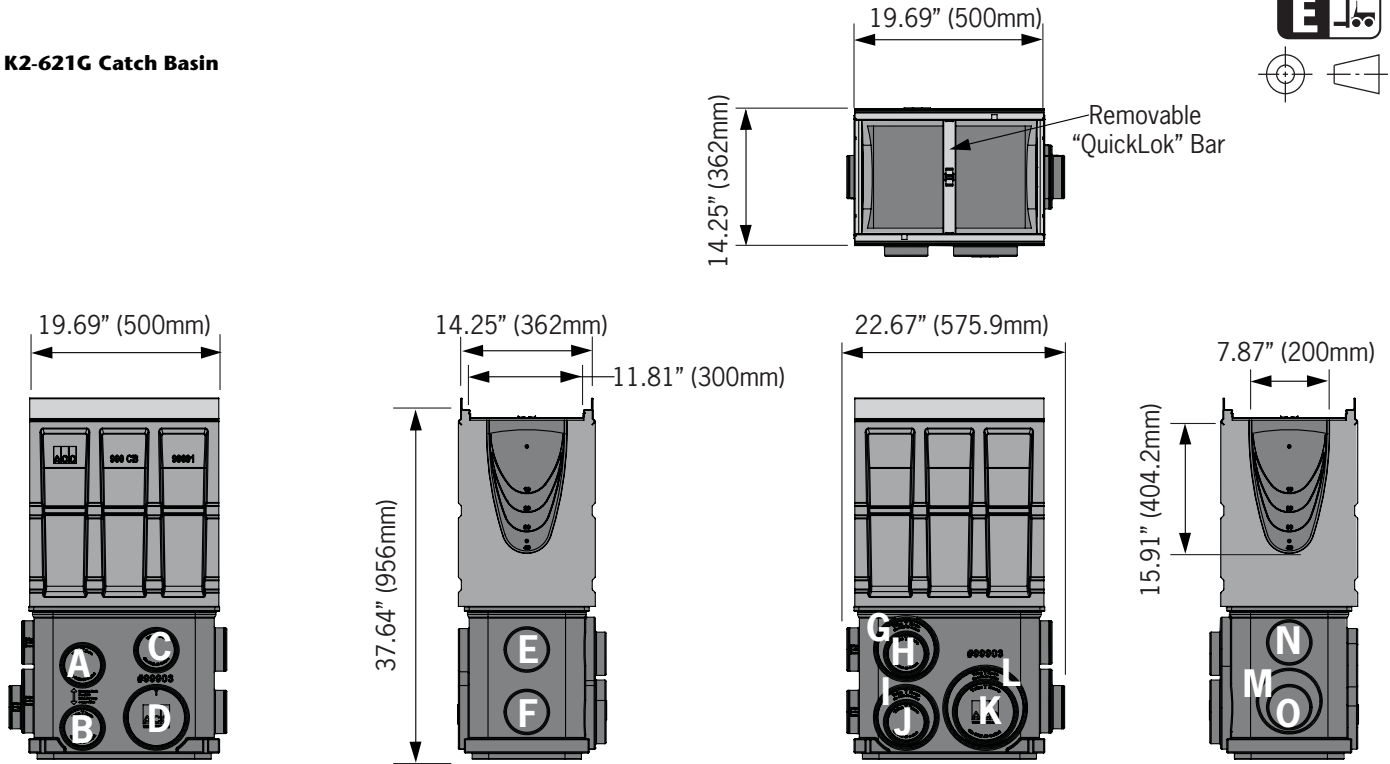


# K2-621S Catch Basin

## K2-621G Catch Basin



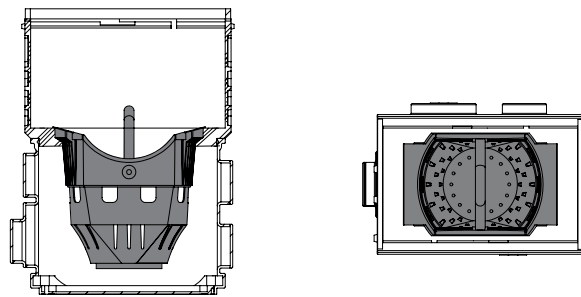
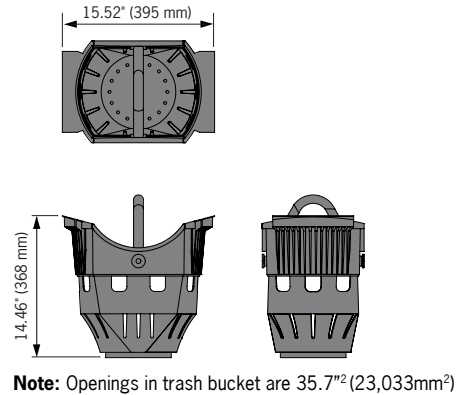
### Outlet flow rates

Outlet	Product	Outlet size (Sch. 40)	Invert Depth	GPM	CFS
A	Type K2-621S	4" round	29.80"	287	0.64
B	Type K2-621S	4" round	36.29"	319	0.71
C	Type K2-621S	4" round	28.22"	279	0.62
D	Type K2-621S	6" round	36.29"	707	1.57
E	Type K2-621S	4" round	28.37"	280	0.62
F	Type K2-621S	4" round	34.87"	312	0.70
G	Type K2-621S	6" round	29.15"	626	1.40
H	Type K2-621S	4" round	28.59"	281	0.63
I	Type K2-621S	6" round	36.28"	707	1.57
J	Type K2-621S	4" round	35.72"	316	0.70
K	Type K2-621S	6" round	35.72"	701	1.56
L	Type K2-621S	8" round	36.28"	1237	2.76
M	Type K2-621S	6" round	34.78"	690	1.54
N	Type K2-621S	4" round	27.65"	276	0.61
O	Type K2-621S	4" round	34.36"	310	0.69

#### Notes:

- These are the pipe flow rates at the specified outlet, **NOT** channel flow rates.  
\*Flow rates without trash bucket - using trash bucket or filter bag reduces flow rates.
- 4" diameter foul air trap, part# 90854, can be fitted to catch basin base at outlet positions A/B and E/F.
- Fits KlassikDrain K200 systems.

### Trash Bucket



Note: Trash bucket position within K2-621S catch basin body and base

ACO Specification Information

# ACO DRAIN

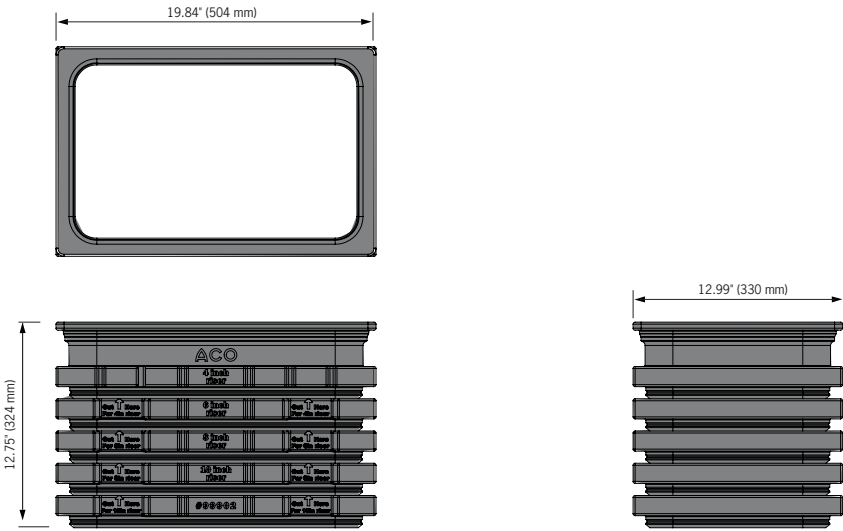
## K2-621S Catch Basin



ACO Specification Information

Description	Part No.	Invert Depth inches	mm	Weight lbs.
Type K2-621S Catch basin assembly - top, removable QuickLok™ bar, trash bucket & base	<b>94621</b>	37.40	950	91.0
<b>Catch Basin Components</b>				
Type 600 optional riser	<b>99902</b>	12.00	304.8	10.0
Foul air trap - fits both Type 900 & Type 600 basins	<b>90854</b>	-	-	1.2
QuickLok™ grate removal tool	<b>01318</b>	-	-	0.5

### Optional riser detail (Part# 99902)



**Notes:**

- Riser can be cut down in 1" (25mm) increments.
- Addition of riser will alter the outflow rates of base as shown on table overleaf.

Specifications			Optional Riser
<b>General</b> The catch basin shall be ACO Drain K2-621S Catch Basin - comprising of top section, trash bucket and base as manufactured by ACO, Inc. or similar approved.	Salt proof	YES	Optional riser can be used between polymer concrete top unit and LLDPE base unit. Use of riser is determined by access and local building codes.
	Dilute acid and alkali resistant	YES	
<b>Materials</b> The top unit body shall be manufactured from polyester polymer concrete with minimum properties as follows:	The nominal clear opening shall be 14.25" (362mm) wide by 19.69" (500mm) long. Overall width of 22.67" (575.9mm) by 37.64" (956mm) long. Type K2-621S catch basin assembly has overall depth of 37.64" (956mm). Polymer concrete top units shall incorporate a cast in stainless steel frame manufactured with drillouts for channel connection and have a wall thickness of at least 0.59" (15mm). Top units shall have horizontal cast in anchoring key features on the outside to ensure maximum mechanical bond to the surrounding bedding material and pavement surface. The base unit shall be a LLDPE plastic molding and incorporate molded plastic pipe stubbs to facilitate pipe connection.		<b>Grates</b> Grates shall be specified. See separate ACO Spec Info grate sheets for details. After removal of grates and QuickLok™ bar there shall be uninterrupted access to the catch basin to aid maintenance.
Compressive strength:	14,000 psi		<b>Installation</b> The trench drain/catch basin system shall be installed in accordance with the manufacturer's installation instructions and recommendations.
Flexural strength:	4,000 psi		
Water absorption	0.07%		
Frost proof	YES		

**ACO, Inc.**  
**Northeast Sales Office**  
 9470 Pinecone Drive  
 Mentor, OH 44060  
 Tel: (440) 639-7230  
 Toll free: (800) 543-4764  
 Fax: (440) 639-7235

**West Sales Office**  
 825 W. Beechcraft St.  
 Casa Grande, AZ 85122  
 Tel: (520) 421-9988  
 Toll Free: (888) 490-9552  
 Fax: (520) 421-9899

**Southeast Sales Office**  
 4211 Pleasant Road  
 Fort Mill, SC 29708  
 Toll free: (800) 543-4764  
 Fax: (803) 802-1063

**Electronic Contact:**  
 info@acousa.com  
 www.acousa.com



© December 2018, ACO, Inc. This information is believed to be accurate but it is not guaranteed to be so. We cannot assume liability for results that buyer obtains with our product since conditions of use are beyond the control of the company. It is the customer's responsibility to evaluate suitability and safety of product for his own use. ACO, Inc. reserves the right to change the product and specifications without notice.