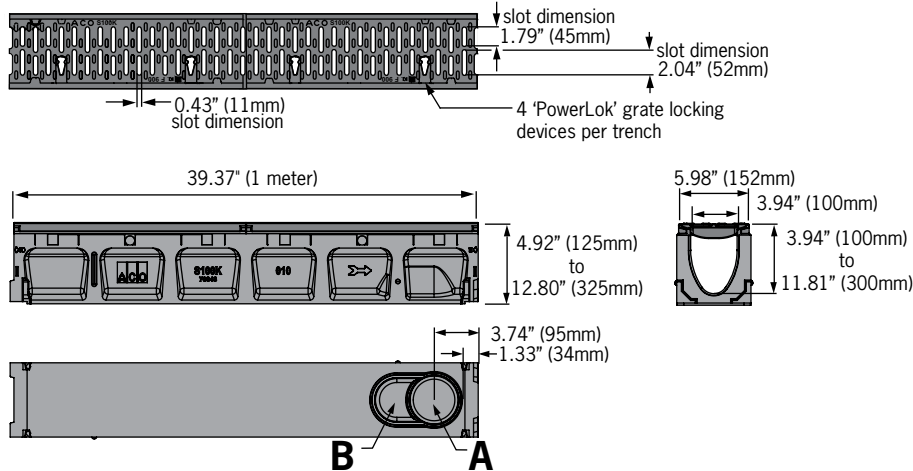


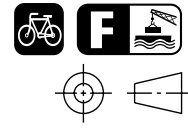
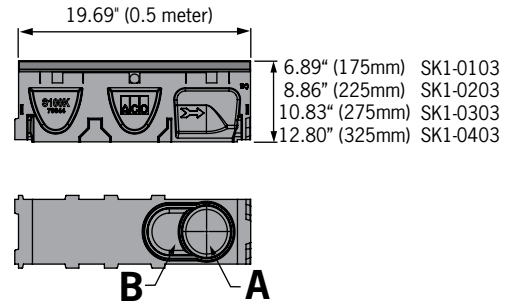
**PowerDrain - S100K iron edged channel system with slotted grate**

**One meter channel**

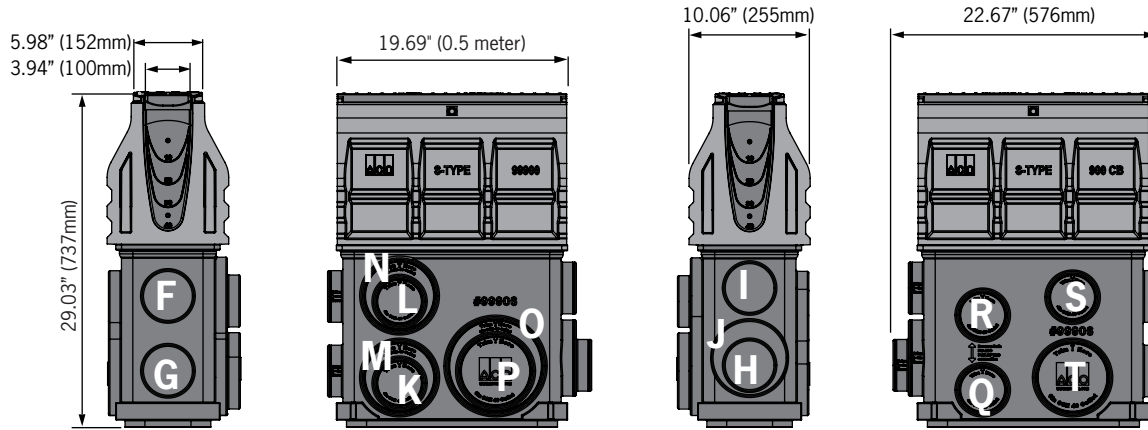


Knock-outs included on every 5th channel

**Half meter channel**



**Type 901D In-line catch basin**



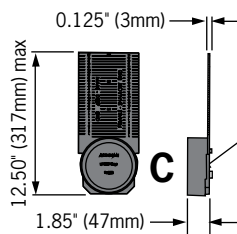
Total capacity = 10.49 gallons.

**Outlet flow rates**

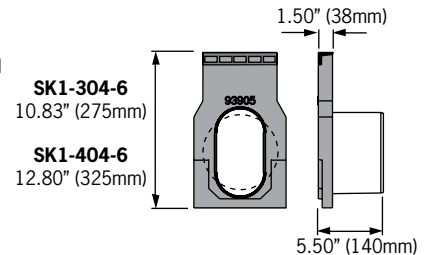
Outlet	Product	Outlet size (Sch. 40)	Invert Depth	GPM	CFS
A	Bottom outlet - SK1-00	4" round	3.94"	108	0.24
A	Bottom outlet - SK1-40	4" round	11.81"	187	0.42
B	Bottom outlet - SK1-00	6" oval	3.94"	177	0.39
B	Bottom outlet - SK1-40	6" oval	11.81"	306	0.68
C	End outlet - SK1-20	4" round	7.87"	132	0.29
C	End outlet - SK1-40	4" round	11.81"	171	0.38
D	SK1-308-6 6" outlet	6" oval	9.84"	233	0.52
E	cap	6" oval	11.81"	264	0.59
F	SK1-408-6 6" outlet	4" round	19.87"	230	0.51
G	cap	4" round	26.37"	268	0.60
H	Type SK1-901D	4" round	25.87"	266	0.59
I	Type SK1-901D	4" round	19.16"	226	0.50
J	Type SK1-901D	6" round	26.29"	593	1.32
K	Type SK1-901D	4" round	27.22"	272	0.61
L	Type SK1-901D	4" round	20.11"	231	0.51
M	Type SK1-901D	6" round	27.79"	611	1.36
N	Type SK1-901D	6" round	20.65"	514	1.15
O	Type SK1-901D	8" round	27.79"	1065	2.37
P	Type SK1-901D	6" round	27.22"	601	1.34
Q	Type SK1-901D	4" round	27.79"	276	0.62
R	Type SK1-901D	4" round	21.30"	239	0.53
S	Type SK1-901D	4" round	19.73"	228	0.51
T	Type SK1-901D	6" round	27.79"	610	1.36

Note: These are the pipe flow rates at the specified outlet, NOT channel flow rates. Catch basin flow rates are without trash bucket - using trash bucket reduces flow.

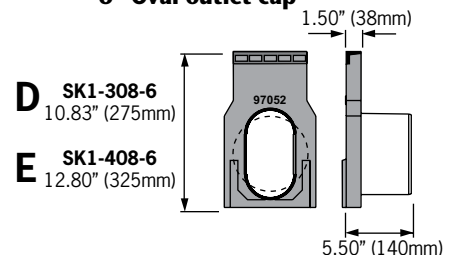
**End Caps**



**6" Oval inlet cap**



**6" Oval outlet cap**



ACO Specification Information

**PowerDrain - S100K iron edged channel system with slotted grate**



ACO Specification Information

Description	Part No.	Invert		Weight lbs.
		Inches <sup>2</sup>	mm <sup>2</sup>	
SK1-00 Neutral channel - 39.37" (1m) <sup>1</sup>	70041	3.94	100	74.1
SK1-1 Sloped channel - 39.37" (1m)	70001	4.13	105	74.1
SK1-2 Sloped channel - 39.37" (1m)	70002	4.33	110	75.1
SK1-3 Sloped channel - 39.37" (1m)	70003	4.53	115	76.1
SK1-4 Sloped channel - 39.37" (1m)	70004	4.72	120	77.1
SK1-5 Sloped channel - 39.37" (1m) <sup>D</sup>	70005	4.92	125	78.1
SK1-6 Sloped channel - 39.37" (1m)	70006	5.12	130	79.1
SK1-7 Sloped channel - 39.37" (1m)	70007	5.31	135	80.1
SK1-8 Sloped channel - 39.37" (1m)	70008	5.51	140	81.1
SK1-9 Sloped channel - 39.37" (1m)	70009	5.71	145	82.1
SK1-10 Sloped channel - 39.37" (1m) <sup>D</sup>	70010	5.91	150	83.1
SK1-010 Neutral channel - 39.37" (1m) <sup>1</sup>	70043	5.91	150	83.1
SK1-0103 Neutral channel - 19.69" (0.5m) <sup>1</sup>	70044	5.91	150	42.4
SK1-11 Sloped channel - 39.37" (1m)	70011	6.10	155	84.1
SK1-12 Sloped channel - 39.37" (1m)	70012	6.30	160	85.1
SK1-13 Sloped channel - 39.37" (1m)	70013	6.50	165	86.1
SK1-14 Sloped channel - 39.37" (1m)	70014	6.69	170	87.1
SK1-15 Sloped channel - 39.37" (1m) <sup>D</sup>	70015	6.89	175	88.1
SK1-16 Sloped channel - 39.37" (1m)	70016	7.09	180	89.1
SK1-17 Sloped channel - 39.37" (1m)	70017	7.28	185	90.1
SK1-18 Sloped channel - 39.37" (1m)	70018	7.48	190	91.1
SK1-19 Sloped channel - 39.37" (1m)	70019	7.68	195	92.1
SK1-20 Sloped channel - 39.37" (1m) <sup>D</sup>	70020	7.87	200	93.1
SK1-020 Neutral channel - 39.37" (1m) <sup>1</sup>	70045	7.87	200	93.1
SK1-0203 Neutral channel - 19.69" (0.5m) <sup>1</sup>	70046	7.87	200	46.9
SK1-21 Sloped channel - 39.37" (1m)	70021	8.07	205	94.1
SK1-22 Sloped channel - 39.37" (1m)	70022	8.27	210	95.1
SK1-23 Sloped channel - 39.37" (1m)	70023	8.46	215	96.0
SK1-24 Sloped channel - 39.37" (1m)	70024	8.66	220	97.0
SK1-25 Sloped channel - 39.37" (1m) <sup>D</sup>	70025	8.86	225	98.0
SK1-26 Sloped channel - 39.37" (1m)	70026	9.06	230	99.0
SK1-27 Sloped channel - 39.37" (1m)	70027	9.25	235	100.0

Description	Part No.	Invert		Weight lbs.
		Inches <sup>2</sup>	mm <sup>2</sup>	
SK1-28 Sloped channel - 39.37" (1m)	70028	9.45	240	101.0
SK1-29 Sloped channel - 39.37" (1m)	70029	9.65	245	102.0
SK1-30 Sloped channel - 39.37" (1m) <sup>D</sup>	70030	9.84	250	103.0
SK1-030 Neutral channel - 39.37" (1m) <sup>1</sup>	70047	9.84	250	103.0
SK1-0303 Neutral channel - 19.69" (0.5m) <sup>1</sup>	70048	9.84	250	51.4
SK1-31 Sloped channel - 39.37" (1m)	70031	10.04	255	104.0
SK1-32 Sloped channel - 39.37" (1m)	70032	10.24	260	105.0
SK1-33 Sloped channel - 39.37" (1m)	70033	10.43	265	106.0
SK1-34 Sloped channel - 39.37" (1m)	70034	10.63	270	107.0
SK1-35 Sloped channel - 39.37" (1m) <sup>D</sup>	70035	10.83	275	108.0
SK1-36 Sloped channel - 39.37" (1m)	70036	11.02	280	109.0
SK1-37 Sloped channel - 39.37" (1m)	70037	11.22	285	110.0
SK1-38 Sloped channel - 39.37" (1m)	70038	11.42	290	111.0
SK1-39 Sloped channel - 39.37" (1m)	70039	11.61	295	112.0
SK1-40 Sloped channel - 39.37" (1m) <sup>D</sup>	70040	11.81	300	113.0
SK1-040 Neutral channel - 39.37" (1m) <sup>1</sup>	70049	11.81	300	113.0
SK1-0403 Neutral channel - 19.69" (0.5m) <sup>1</sup>	70050	11.81	300	56.0
SK1-901D In-line catch basin - 19.69" (0.5m) <sup>D</sup>	94610	28.23	717	99.0
SK1-621D catch basin - 19.69" (0.5m) <sup>D</sup>	94573	28.86	733	88.7
SK1-631D catch basin - 19.69" (0.5m) <sup>D</sup>	94583	40.86	1038	98.7
Series 600 optional riser	99902	-	-	10.0
Foul air trap - fits both 900 & 600 basins	90854	-	-	1.2
SK1-304-6 6" Inlet Cap	96861	9.84	250	6.2
SK1-308-6 6" Outlet Cap	96862	9.84	250	6.0
SK1-404-6 6" Inlet Cap	96863	11.81	300	7.2
SK1-408-6 6" Outlet Cap	96864	11.81	300	7.0
SK1-Universal end cap	96824	11.81	300	0.4
Debris strainer for 4" bottom knockout	93488	-	-	0.2
4" Oval to 6" round outlet adaptor	95140	-	-	1.1
4" Installation device	97477	-	-	2.8
Grate removal tool	01318	-	-	0.3

**Notes:**

1. This channel offers bottom knockout feature; 4" round/6" oval.
2. Inverts shown are male end; for female invert depth subtract 5mm (≈0.2") from male invert (except neutral channels where it will be same as male invert). To calculate overall channel depth add 25.4mm (≈1") to invert depth.
3. Catch basin assembly includes polymer concrete top, PowerLok grate, trash bucket and plastic base.
4. Catch basin assembly includes polymer concrete top, PowerLok grate, deep trash bucket, plastic riser and plastic base.

<b>Specifications</b>		Water absorption	0.07%	the manufacturer to ensure maximum homogeneity between polymer concrete body and edge rail. Each edge rail shall be at least 1/4" (6mm) thick.
<b>General</b>		Frost proof	YES	
The surface drainage system shall be ACO Drain PowerDrain S100K complete with slotted gratings secured with "PowerLok" locking as manufactured by ACO, Inc. or equal approved.		Salt proof	YES	
		Dilute acid and alkali resistant	YES	
<b>Materials</b>		The nominal clear opening shall be 4" (100mm) with overall width of 6.30" (160mm). Pre-cast units shall be manufactured with either an invert slope of 0.5% or with neutral invert and have a wall thickness of at least 0.67" (16mm). Each unit will feature a partial radius in the trench bottom and a male to female interconnecting end profile. Units shall have horizontal cast in anchoring keys on the outside wall to ensure maximum mechanical bond to the surrounding bedding material and pavement surface. The ductile iron edge rail will be integrally cast in by		<b>Grates</b>
The trench system bodies shall be manufactured from polyester polymer concrete with minimum properties as follows:				Grates are manufactured from slotted ductile iron. Ductile iron to ASTM 536-84 - Grade 65-45-12. After removal of grates there shall be uninterrupted access to the trench to aid maintenance. Water intake area per meter channel unit shall be 46 in <sup>2</sup> (296.77 cm <sup>2</sup> ).
Compressive strength: 14,000 psi				<b>Installation</b>
Flexural strength: 4,000 psi				The trench drain system shall be installed in accordance with the manufacturer's installation instructions and recommendations.

**ACO, Inc.**  
**Northeast Sales Office**  
 9470 Pinecone Dr.  
 Mentor, OH 44060  
 Tel: (440) 639-7230  
 Toll free: (800) 543-4764  
 Fax: (440) 639-7235

**West Sales Office**  
 825 W. Beechcraft St.  
 Casa Grande, AZ 85122  
 Tel: (520) 421-9988  
 Toll Free: (888) 490-9552  
 Fax: (520) 421-9899

**Southeast Sales Office**  
 4211 Pleasant Road  
 Fort Mill, SC 29708  
 Toll free: (800) 543-4764  
 Fax: (803) 802-1063



**Electronic Contact:**  
 info@ACODrain.us  
 www.ACODrain.us



© April 2018 ACO, Inc. This information is believed to be accurate but it is not guaranteed to be so. We cannot assume liability for results that buyer obtains with our product since conditions of use are beyond the control of the company. It is the customer's responsibility to evaluate suitability and safety of product for his own use. ACO Polymer Products Inc. reserves the right to change the product and specifications without notice.