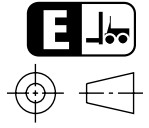
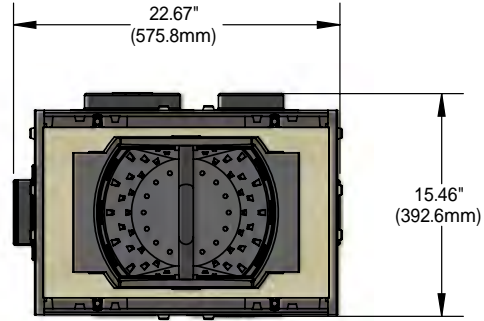
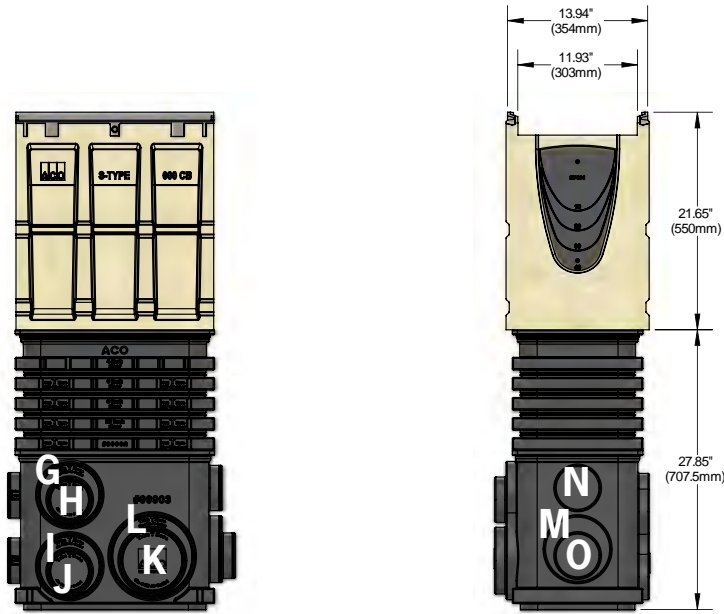


SK2-631D Catch basin

SK2-631D Catch Basin



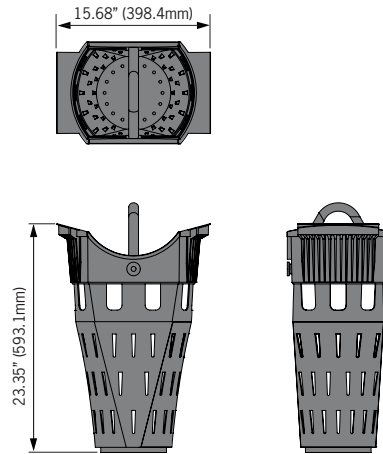
Outlet flow rates

Outlet	Product	Outlet size (Sch. 40)	Invert Depth	GPM	CFS
A	Type SK2-631D	4" round	41.80"	343	0.77
B	Type SK2-631D	4" round	48.29"	370	0.83
C	Type SK2-631D	4" round	40.22"	337	0.75
D	Type SK2-631D	6" round	48.29"	824	1.84
E	Type SK2-631D	4" round	40.37"	337	0.75
F	Type SK2-631D	4" round	46.87"	365	0.81
G	Type SK2-631D	6" round	41.15"	757	1.69
H	Type SK2-631D	4" round	40.59"	338	0.75
I	Type SK2-631D	6" round	48.28"	824	1.84
J	Type SK2-631D	4" round	47.72"	368	0.82
K	Type SK2-631D	6" round	47.72"	819	1.83
L	Type SK2-631D	8" round	48.28"	1449	3.23
M	Type SK2-631D	6" round	46.78"	810	1.81
N	Type SK2-631D	4" round	39.65"	334	0.74
O	Type SK2-631D	4" round	46.36"	363	0.81

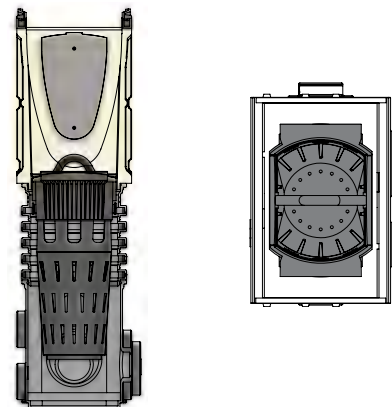
Note:

- These are the pipe flow rates at the specified outlet, **NOT** channel flow rates.
*Flow rates without trash bucket - using trash bucket or filter bag reduces flow rates.
- 4" diameter foul air trap, part# 90854, can be fitted to catch basin base at outlet positions A/B and E/F.
- Riser can be cut down in 1" increments.
- Fits PowerDrain S200K systems

Trash Bucket



Note: Openings in trash bucket are 74.4"² (48,028mm²)



Note: Trash bucket position within SK2-631D catch basin body and base

ACO Specification Information

ACO DRAIN

SK2-631D Catch basin



ACO Specification Information

Description	Part No.	Invert Depth		Weight
		inches	mm	lbs.
Type SK2-631D Catch basin - 19.69" (0.5m)	68056	49.33	1253	126.0
Catch Basin Components				
Foul air trap - fits both Type 900 & Type 600 basins	90854	-	-	1.2
QuickLok grate removal tool	01318	-	-	0.3

Optional Grates

Choose from:

- SK2 ductile iron slotted grate 19.69" (0.5m) (Load class F) - **02449**
- SK2 ductile iron longitudinal grate 19.69" (0.5m) (Load class E) - **72263**
- SK2 ductile iron 4-bolt grate 19.69" (0.5m) (Load class F) - **99591**

Specifications			
General The catch basin shall be ACO Drain SK2-631D Catch Basin as manufactured by ACO, Inc. or similar approved.	Frost proof	YES	molding and incorporate molded plastic pipe stubbs to facilitate pipe connection.
	Salt proof	YES	
	Dilute acid and alkali resistant	YES	
Materials The top unit body shall be manufactured from polyester polymer concrete with minimum properties as follows:	The nominal clear opening shall be 14.25" (362mm) wide by 19.69" (500mm) long. Overall width of 22.67" (575.9mm) by 49.63" (1261mm) long. Type SK2-631D catch basin assembly has overall depth of 49.63" (1261mm). Polymer concrete top units shall incorporate a cast in ductile iron frame manufactured with drillouts for channel connection and have a wall thickness of at least 0.59" (15mm). Top units shall have horizontal cast in anchoring key features on the outside to ensure maximum mechanical bond to the surrounding bedding material and pavement surface. The base and riser unit shall be a LLDPE plastic		Installation The trench drain/catch basin system shall be installed in accordance with the manufacturer's installation instructions and recommendations.
Compressive strength:	14,000 psi		
Flexural strength:	4,000 psi		
Water absorption	0.07%		

ACO, Inc.
Northeast Sales Office
 9470 Pinecone Dr.
 Mentor, OH 44060
 Tel: (440) 639-7230
 Toll free: (800) 543-4764
 Fax: (440) 639-7235

West Sales Office
 825 W. Beechcraft St.
 Casa Grande, AZ 85122
 Tel: (520) 421-9988
 Toll Free: (888) 490-9552
 Fax: (520) 421-9899

Southeast Sales Office
 4211 Pleasant Road
 Fort Mill, SC 29708
 Toll free: (800) 543-4764
 Fax: (803) 802-1063



Electronic Contact:
 info@ACODrain.us
 www.ACODrain.us



© April 2018 ACO, Inc. This information is believed to be accurate but it is not guaranteed to be so. We cannot assume liability for results that buyer obtains with our product since conditions of use are beyond the control of the company. It is the customer's responsibility to evaluate suitability and safety of product for his own use. ACO, Inc. reserves the right to change the product and specifications without notice.