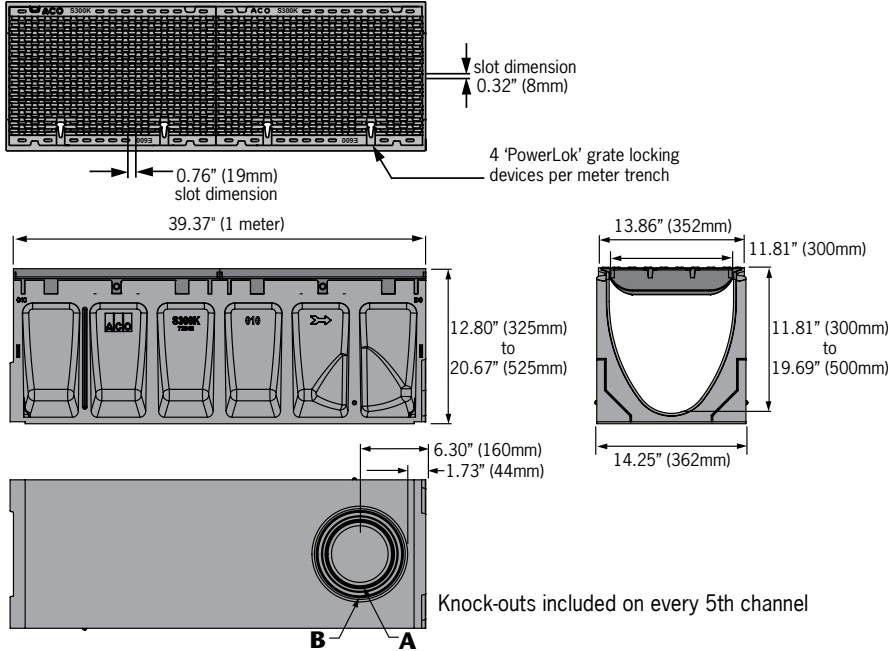
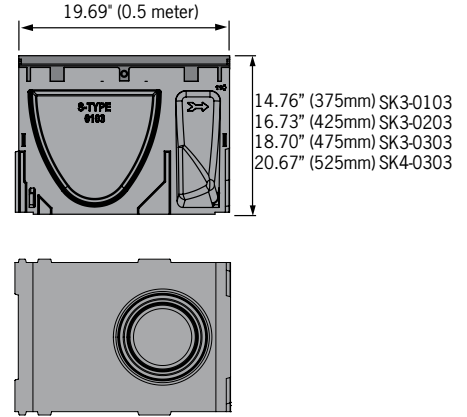


**PowerDrain - S300K iron edged channel system with longitudinal grate (ADA)**

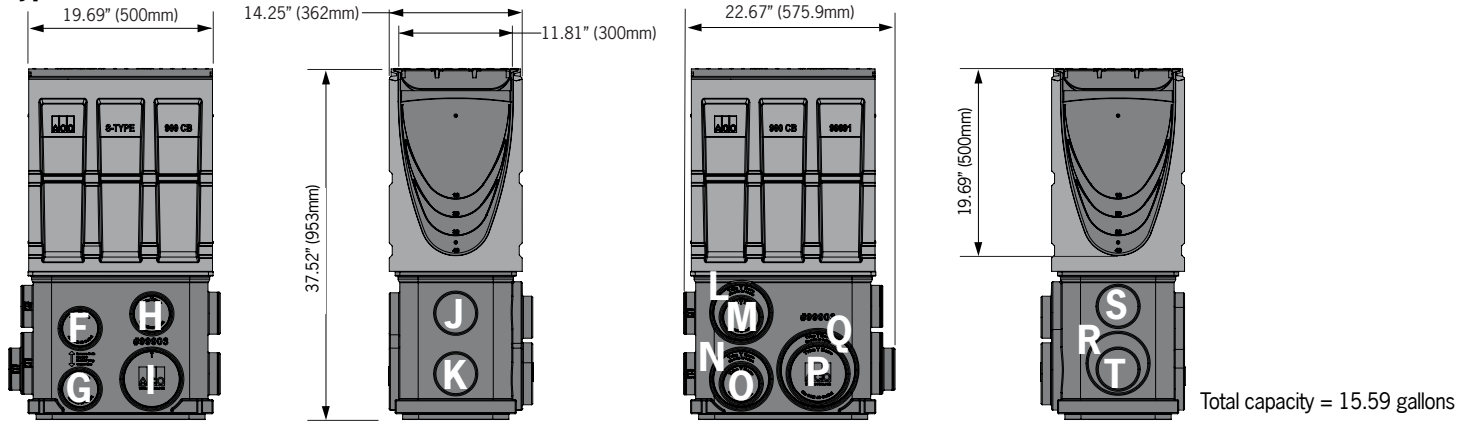
**One meter channel**



**Half meter channel**



**Type 903D In-line catch basin**



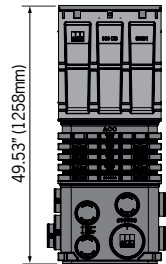
**Outlet flow rates**

Outlet	Product	Outlet size (Sch. 40)	Invert Depth	GPM	CFS
A	Bottom outlet - SK3-00	6" round	11.81"	421	0.94
A	Bottom outlet - SK3-040	6" round	19.69"	544	1.21
B	Bottom outlet -SK3-00	8" round	11.81"	748	1.67
B	Bottom outlet - SK3-040	8" round	19.69"	966	2.15
C	End outlet - SK3-00	6" round	11.81"	364	0.81
C	End outlet - SK3-40	6" round	19.69"	500	1.11
D	End outlet - SK3-10	8" round	13.78"	681	1.52
D	End outlet - SK3-40	8" round	19.69"	863	1.92
E	End outlet - SK3-20	10" round	15.75"	1116	2.49
E	End outlet - SK3-40	10" round	19.69"	1304	2.91
F	Type SK3-903D	4" round	29.80"	287	0.64
G	Type SK3-903D	4" round	36.29"	319	0.71
H	Type SK3-903D	4" round	28.22"	279	0.62
I	Type SK3-903D	6" round	36.29"	707	1.57
J	Type SK3-903D	4" round	28.37"	280	0.62
K	Type SK3-903D	4" round	34.87"	312	0.70
L	Type SK3-903D	6" round	29.15"	626	1.40
M	Type SK3-903D	4" round	28.59"	281	0.63
N	Type SK3-903D	6" round	36.28"	707	1.57
O	Type SK3-903D	4" round	35.72"	316	0.70
P	Type SK3-903D	6" round	35.72"	701	1.56
Q	Type SK3-903D	8" round	36.28"	1237	2.76
R	Type SK3-903D	6" round	34.78"	690	1.54
S	Type SK3-903D	4" round	27.65	276	0.61
T	Type SK3-903D	4" round	34.36	310	0.69

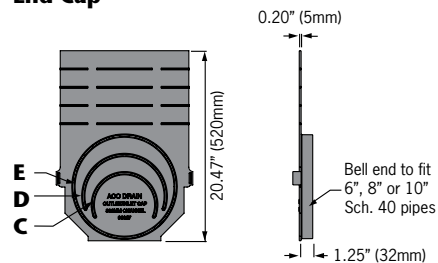
**Note:** These are the pipe flow rates at the specified outlet, NOT channel flow rates.\* Catch basin flow rates are without trash bucket - using trash bucket reduces flow.

**Type 904D In-line catch basin**

- Notes:**
1. Riser can be cut down in 1" (25mm) increments.
  2. Maximum capacity including riser 27.82 gallons.
  3. Add 12" (300mm) to all heights if using riser.
  4. Outlet flow rates will be higher due to increased depth - contact ACO Sales Office for more details.



**End Cap**



**ACO DRAIN**

**PowerDrain - S300K iron edged channel system with longitudinal grate (ADA)**



ACO Specification Information

Description	Part No.	Invert Inches <sup>2</sup>	mm <sup>2</sup>	Weight lbs.	Description	Part No.	Invert Inches <sup>2</sup>	mm <sup>2</sup>	Weight lbs.
<b>SK3-00 Neutral channel - 39.37" (1m)<sup>D</sup></b>	<b>72141</b>	<b>11.81</b>	<b>300</b>	<b>258.2</b>	SK3-28 Sloped channel - 39.37" (1m)	<b>72128</b>	17.32	440	291.4
SK3-1 Sloped channel - 39.37" (1m)	<b>72101</b>	12.01	305	258.2	SK3-29 Sloped channel - 39.37" (1m)	<b>72129</b>	17.52	445	292.7
SK3-2 Sloped channel - 39.37" (1m)	<b>72102</b>	12.20	310	259.4	SK3-30 Sloped channel - 39.37" (1m) <sup>D</sup>	<b>72130</b>	17.72	450	293.9
SK3-3 Sloped channel - 39.37" (1m)	<b>72103</b>	12.40	315	260.7	<b>SK3-030 Neutral channel - 39.37" (1m)<sup>D</sup></b>	<b>72146</b>	<b>17.72</b>	<b>450</b>	<b>293.9</b>
SK3-4 Sloped channel - 39.37" (1m)	<b>72104</b>	12.60	320	261.9	<b>SK3-0303 Neutral channel - 19.69" (0.5m)<sup>D</sup></b>	<b>72149</b>	<b>17.72</b>	<b>450</b>	<b>156.1</b>
SK3-5 Sloped channel - 39.37" (1m) <sup>D</sup>	<b>72105</b>	12.80	325	263.1	SK3-31 Sloped channel - 39.37" (1m)	<b>72131</b>	17.91	455	295.1
SK3-6 Sloped channel - 39.37" (1m)	<b>72106</b>	12.99	330	264.4	SK3-32 Sloped channel - 39.37" (1m)	<b>72132</b>	18.11	460	296.4
SK3-7 Sloped channel - 39.37" (1m)	<b>72107</b>	13.19	335	265.6	SK3-33 Sloped channel - 39.37" (1m)	<b>72133</b>	18.31	465	297.6
SK3-8 Sloped channel - 39.37" (1m)	<b>72108</b>	13.39	340	266.8	SK3-34 Sloped channel - 39.37" (1m)	<b>72134</b>	18.50	470	298.8
SK3-9 Sloped channel - 39.37" (1m)	<b>72109</b>	13.58	345	268.0	SK3-35 Sloped channel - 39.37" (1m) <sup>D</sup>	<b>72135</b>	18.70	475	300.1
SK3-10 Sloped channel - 39.37" (1m) <sup>D</sup>	<b>72110</b>	13.78	350	269.3	SK3-36 Sloped channel - 39.37" (1m)	<b>72136</b>	18.90	480	301.3
<b>SK3-010 Neutral channel - 39.37" (1m)<sup>D</sup></b>	<b>72142</b>	<b>13.78</b>	<b>350</b>	<b>269.3</b>	SK3-37 Sloped channel - 39.37" (1m)	<b>72137</b>	19.09	485	302.5
<b>SK3-0103 Neutral channel - 19.69" (0.5m)<sup>D</sup></b>	<b>72145</b>	<b>13.78</b>	<b>350</b>	<b>141.9</b>	SK3-38 Sloped channel - 39.37" (1m)	<b>72138</b>	19.29	490	303.7
SK3-11 Sloped channel - 39.37" (1m)	<b>72111</b>	13.98	355	270.5	SK3-39 Sloped channel - 39.37" (1m)	<b>72139</b>	19.49	495	305.0
SK3-12 Sloped channel - 39.37" (1m)	<b>72112</b>	14.17	360	271.7	SK3-40 Sloped channel - 39.37" (1m) <sup>D</sup>	<b>72140</b>	19.69	500	306.2
SK3-13 Sloped channel - 39.37" (1m)	<b>72113</b>	14.37	365	273.0	<b>SK3-040 Neutral channel - 39.37" (1m)<sup>D</sup></b>	<b>72148</b>	<b>19.69</b>	<b>500</b>	<b>306.2</b>
SK3-14 Sloped channel - 39.37" (1m)	<b>72114</b>	14.57	370	274.2	<b>SK3-0403 Neutral channel - 19.69" (0.5m)<sup>D</sup></b>	<b>72150</b>	<b>19.69</b>	<b>500</b>	<b>164.3</b>
SK3-15 Sloped channel - 39.37" (1m) <sup>D</sup>	<b>72115</b>	14.76	375	275.4	SK3-903D In-line catch basin - 19.69" (0.5m) <sup>D</sup>	<b>94572</b>	37.40	950	165.4
SK3-16 Sloped channel - 39.37" (1m)	<b>72116</b>	14.96	380	276.7	SK3-904D In-line catch basin - 19.69" (0.5m) <sup>D</sup>	<b>94582</b>	49.53	1258	175.4
SK3-17 Sloped channel - 39.37" (1m)	<b>72117</b>	15.16	385	277.9	Series 600 Optional plastic riser	<b>99902</b>	-	-	10.0
SK3-18 Sloped channel - 39.37" (1m)	<b>72118</b>	15.35	390	279.1	Foul air trap - fits both 910 & 610 basins	<b>90854</b>	-	-	1.2
SK3-19 Sloped channel - 39.37" (1m)	<b>72119</b>	15.55	395	280.4	12" channel Universal end cap	<b>96827</b>	19.69	500	2.5
SK3-20 Sloped channel - 39.37" (1m) <sup>D</sup>	<b>72120</b>	15.75	400	281.6	12" channel Installation device	<b>97479</b>	-	-	4.9
<b>SK3-020 Neutral channel - 39.37" (1m)<sup>D</sup></b>	<b>72144</b>	<b>15.75</b>	<b>400</b>	<b>281.6</b>	Grate removal tool	<b>01318</b>	-	-	0.3
<b>SK3-0203 Neutral channel - 19.69" (0.5m)<sup>D</sup></b>	<b>72147</b>	<b>15.75</b>	<b>400</b>	<b>148.9</b>					
SK3-21 Sloped channel - 39.37" (1m)	<b>72121</b>	15.94	405	282.8					
SK3-22 Sloped channel - 39.37" (1m)	<b>72122</b>	16.14	410	284.1					
SK3-23 Sloped channel - 39.37" (1m)	<b>72123</b>	16.34	415	285.3					
SK3-24 Sloped channel - 39.37" (1m)	<b>72124</b>	16.54	420	286.5					
SK3-25 Sloped channel - 39.37" (1m) <sup>D</sup>	<b>72125</b>	16.73	425	287.7					
SK3-26 Sloped channel - 39.37" (1m)	<b>72126</b>	16.93	430	289.0					
SK3-27 Sloped channel - 39.37" (1m)	<b>72127</b>	17.13	435	290.2					

**Notes:**

1. This channel offers bottom knockout feature: 6" & 8" round.
2. Inverts shown are male end; for female invert depth subtract 5mm (≈0.2") from male invert (except neutral channels where it will be same as male invert).  
To calculate overall channel depth, add 25.4mm (1.0") to invert depth.
3. Catch basin assembly includes polymer concrete top, PowerLok grate, trash bucket and plastic base.
4. Catch basin assembly includes polymer concrete top, PowerLok grate, deep trash bucket, plastic riser and plastic base.
5. Water intake per meter channel is 126.4 in<sup>2</sup> (815.48 cm<sup>2</sup>)

<b>Specifications</b>			
<b>General</b>	The surface drainage system shall be ACO Drain PowerDrain S300K complete with longitudinal ADA compliant gratings secured with 'PowerLok' locking as manufactured by ACO, Inc. or equal approved.	Frost proof	YES
<b>Materials</b>	The trench system bodies shall be manufactured from polymer concrete with minimum properties as follows:	Salt proof	YES
Compressive strength:	14,000 psi	Dilute acid and alkali resistant	YES
Flexural strength:	4,000 psi		
Water absorption	0.07%		
	The nominal clear opening shall be 12" (300mm) with overall width of 13.86" (352mm). Pre-cast units shall be manufactured with either an invert slope of 0.5% or with neutral invert and have a wall thickness of at least 0.67" (16mm). Each unit will feature a partial radius in the trench bottom and a male to female interconnecting end profile. Units shall have horizontal cast in anchoring keys on the outside wall to ensure maximum mechanical bond to the surrounding bedding material and pavement surface. The ductile iron edge rail will be integrally cast in by the manufacturer to ensure maximum homogeneity between polymer concrete body and edge rail. Each edge rail shall be at least 1/4" (6mm) thick.		
		<b>Grates</b>	Grates come in longitudinal ductile iron. Ductile iron to ASTM 536-84 - Grade 65-45-12. After removal of gratings there shall be uninterrupted access to the trench to aid maintenance.
		<b>Installation</b>	The trench drain system shall be installed in accordance with the manufacturer's installation instructions and recommendations.

**ACO, Inc.**  
**Northeast Sales Office**  
 9470 Pinecone Dr.  
 Mentor, OH 44060  
 Tel: (440) 639-7230  
 Toll free: (800) 543-4764  
 Fax: (440) 639-7235

**West Sales Office**  
 825 W. Beechcraft St.  
 Casa Grande, AZ 85122  
 Tel: (520) 421-9988  
 Toll Free: (888) 490-9552  
 Fax: (520) 421-9899

**Southeast Sales Office**  
 4211 Pleasant Road  
 Fort Mill, SC 29708  
 Toll free: (800) 543-4764  
 Fax: (803) 802-1063

**Follow us on**  
  
**Electronic Contact:**  
 info@ACODrain.us  
 www.ACODrain.us



© April 2018 ACO, Inc. This information is believed to be accurate but it is not guaranteed to be so. We cannot assume liability for results that buyer obtains with our product since conditions of use are beyond the control of the company. It is the customer's responsibility to evaluate suitability and safety of product for his own use. ACO, Inc. reserves the right to change the product and specifications without notice.