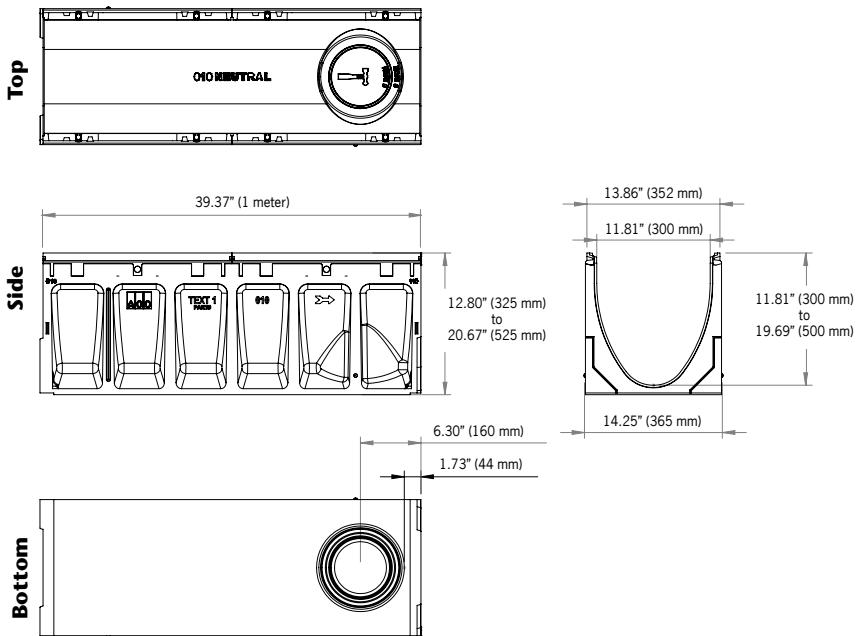
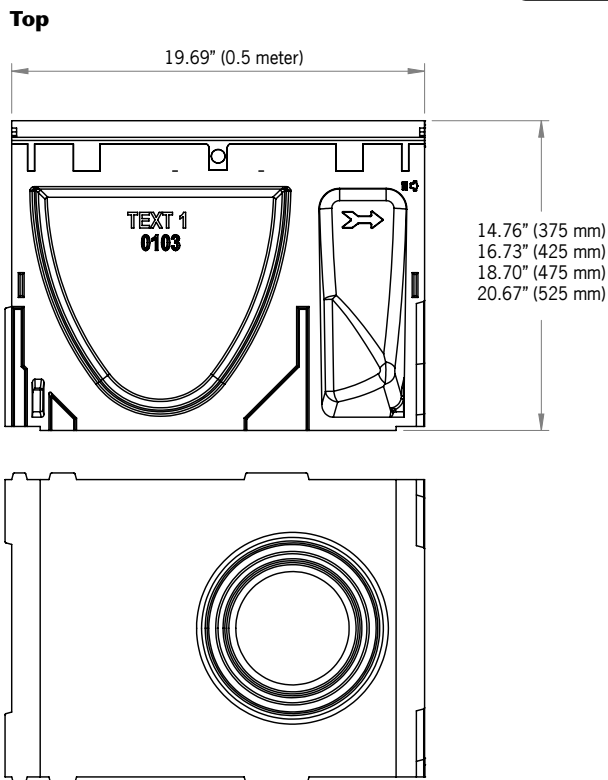


One meter channel

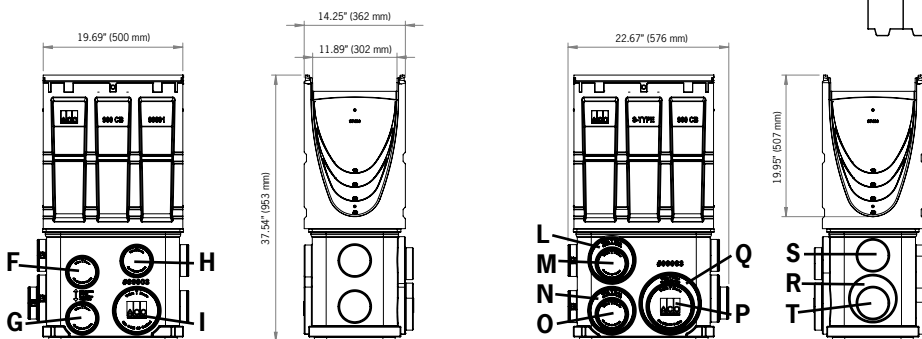


Knock-outs included on every 5th channel

Half meter channel



Type 903D In-line catch basin



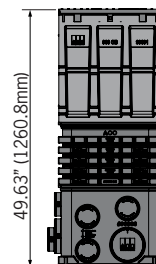
Total capacity = 15.59 gallons

| Outlet | Product | Outlet size (Sch. 40) | Invert Depth | GPM | CFS |
|--------|-------------------------|-----------------------|--------------|------|------|
| A | Bottom outlet - SK3-00 | 6" round | 11.81" | 421 | 0.94 |
| A | Bottom outlet - SK3-040 | 6" round | 19.69" | 544 | 1.21 |
| B | Bottom outlet -SK3-00 | 8" round | 11.81" | 748 | 1.67 |
| B | Bottom outlet - SK3-040 | 8" round | 19.69" | 966 | 2.15 |
| C | End outlet - SK3-00 | 6" round | 11.81" | 364 | 0.81 |
| C | End outlet - SK3-40 | 6" round | 19.69" | 500 | 1.11 |
| D | End outlet - SK3-10 | 8" round | 13.78" | 681 | 1.52 |
| D | End outlet - SK3-40 | 8" round | 19.69" | 863 | 1.92 |
| E | End outlet - SK3-20 | 10" round | 15.75" | 1116 | 2.49 |
| E | End outlet - SK3-40 | 10" round | 19.69" | 1304 | 2.91 |
| F | Type SK3-903D | 4" round | 29.80" | 287 | 0.64 |
| G | Type SK3-903D | 4" round | 36.29" | 319 | 0.71 |
| H | Type SK3-903D | 4" round | 28.22" | 279 | 0.62 |
| I | Type SK3-903D | 6" round | 36.29" | 707 | 1.57 |
| J | Type SK3-903D | 4" round | 28.37" | 280 | 0.62 |
| K | Type SK3-903D | 4" round | 34.87" | 312 | 0.70 |
| L | Type SK3-903D | 6" round | 29.15" | 626 | 1.40 |
| M | Type SK3-903D | 4" round | 28.59" | 281 | 0.63 |
| N | Type SK3-903D | 6" round | 36.28" | 707 | 1.57 |
| O | Type SK3-903D | 4" round | 35.72" | 316 | 0.70 |
| P | Type SK3-903D | 6" round | 35.72" | 701 | 1.56 |
| Q | Type SK3-903D | 8" round | 36.28" | 1237 | 2.76 |
| R | Type SK3-903D | 6" round | 34.78" | 690 | 1.54 |
| S | Type SK3-903D | 4" round | 27.65 | 276 | 0.61 |
| T | Type SK3-903D | 4" round | 34.36 | 310 | 0.69 |

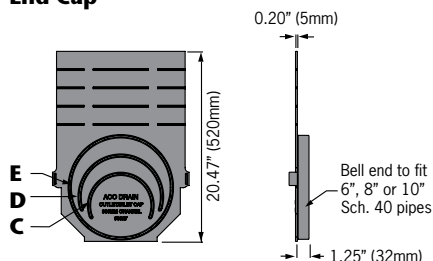
Note: These are the pipe flow rates at the specified outlet, NOT channel flow rates.* Catch basin flow rates are without trash bucket - using trash bucket reduces flow.

Type 904D In-line catch basin

- Notes:
- Riser can be cut dow in 1" (25mm) increments.
 - Maximum capacity including riser 27.82 gallons.
 - Add 12" (300mm) to all heights if using riser.
 - Outlet flow rates will be higher due to increased depth - contact ACO Sales Office for more details.



End Cap



ACO DRAIN

PowerDrain - S300K iron edged channels



ACO Specification Information

| Description | Part No. | Invert Inches [Ⓜ] | Invert mm [Ⓜ] | Weight lbs. |
|--------------------------------------------------------------------|--------------|----------------------------|------------------------|--------------|
| SK3-00 Constant depth channel - 39.37" (1m)[Ⓜ] | 69041 | 11.81 | 300 | 140.0 |
| SK3-1 Sloped channel - 39.37" (1m) | 69001 | 12.01 | 305 | 140.0 |
| SK3-2 Sloped channel - 39.37" (1m) | 69002 | 12.20 | 310 | 141.3 |
| SK3-3 Sloped channel - 39.37" (1m) | 69003 | 12.40 | 315 | 142.8 |
| SK3-4 Sloped channel - 39.37" (1m) | 69004 | 12.60 | 320 | 144.1 |
| SK3-5 Sloped channel - 39.37" (1m) [Ⓜ] | 69005 | 12.80 | 325 | 145.4 |
| SK3-6 Sloped channel - 39.37" (1m) | 69006 | 12.99 | 330 | 146.9 |
| SK3-7 Sloped channel - 39.37" (1m) | 69007 | 13.19 | 335 | 148.2 |
| SK3-8 Sloped channel - 39.37" (1m) | 69008 | 13.39 | 340 | 149.5 |
| SK3-9 Sloped channel - 39.37" (1m) | 69009 | 13.58 | 345 | 150.9 |
| SK3-10 Sloped channel - 39.37" (1m) [Ⓜ] | 69010 | 13.78 | 350 | 152.3 |
| SK3-010 Constant depth channel - 39.37" (1m)[Ⓜ] | 69042 | 13.78 | 350 | 152.3 |
| SK3-0103 Constant depth channel - 19.69" (0.5m)[Ⓜ] | 69045 | 13.78 | 350 | 84.2 |
| SK3-11 Sloped channel - 39.37" (1m) | 69011 | 13.98 | 355 | 153.6 |
| SK3-12 Sloped channel - 39.37" (1m) | 69012 | 14.17 | 360 | 155.0 |
| SK3-13 Sloped channel - 39.37" (1m) | 69013 | 14.37 | 365 | 156.4 |
| SK3-14 Sloped channel - 39.37" (1m) | 69014 | 14.57 | 370 | 157.7 |
| SK3-15 Sloped channel - 39.37" (1m) [Ⓜ] | 69015 | 14.76 | 375 | 149.1 |
| SK3-16 Sloped channel - 39.37" (1m) | 69016 | 14.96 | 380 | 160.5 |
| SK3-17 Sloped channel - 39.37" (1m) | 69017 | 15.16 | 385 | 161.9 |
| SK3-18 Sloped channel - 39.37" (1m) | 69018 | 15.35 | 390 | 163.2 |
| SK3-19 Sloped channel - 39.37" (1m) | 69019 | 15.55 | 395 | 164.6 |
| SK3-20 Sloped channel - 39.37" (1m) [Ⓜ] | 69020 | 15.75 | 400 | 166.0 |
| SK3-020 Constant depth channel - 39.37" (1m)[Ⓜ] | 69044 | 15.75 | 400 | 166.0 |
| SK3-0203 Constant depth channel - 19.69" (0.5m)[Ⓜ] | 69047 | 15.75 | 400 | 92.0 |
| SK3-21 Sloped channel - 39.37" (1m) | 69021 | 15.94 | 405 | 167.3 |
| SK3-22 Sloped channel - 39.37" (1m) | 69022 | 16.14 | 410 | 168.7 |
| SK3-23 Sloped channel - 39.37" (1m) | 69023 | 16.34 | 415 | 170.1 |
| SK3-24 Sloped channel - 39.37" (1m) | 69024 | 16.54 | 420 | 171.4 |
| SK3-25 Sloped channel - 39.37" (1m) [Ⓜ] | 69025 | 16.73 | 425 | 172.7 |
| SK3-26 Sloped channel - 39.37" (1m) | 69026 | 16.93 | 430 | 174.2 |
| SK3-27 Sloped channel - 39.37" (1m) | 69027 | 17.13 | 435 | 175.5 |

| Description | Part No. | Invert Inches [Ⓜ] | Invert mm [Ⓜ] | Weight lbs. |
|--------------------------------------------------------------------|--------------|----------------------------|------------------------|--------------|
| SK3-28 Sloped channel - 39.37" (1m) | 69028 | 17.32 | 440 | 176.8 |
| SK3-29 Sloped channel - 39.37" (1m) | 69029 | 17.52 | 445 | 178.3 |
| SK3-30 Sloped channel - 39.37" (1m) [Ⓜ] | 69030 | 17.72 | 450 | 179.6 |
| SK3-030 Constant depth channel - 39.37" (1m)[Ⓜ] | 69046 | 17.72 | 450 | 179.6 |
| SK3-0303 Constant depth channel - 19.69" (0.5m)[Ⓜ] | 69049 | 17.72 | 450 | 100.0 |
| SK3-31 Sloped channel - 39.37" (1m) | 69031 | 17.91 | 455 | 180.9 |
| SK3-32 Sloped channel - 39.37" (1m) | 69032 | 18.11 | 460 | 182.4 |
| SK3-33 Sloped channel - 39.37" (1m) | 69033 | 18.31 | 465 | 183.7 |
| SK3-34 Sloped channel - 39.37" (1m) | 69034 | 18.50 | 470 | 185.0 |
| SK3-35 Sloped channel - 39.37" (1m) [Ⓜ] | 69035 | 18.70 | 475 | 186.5 |
| SK3-36 Sloped channel - 39.37" (1m) | 69036 | 18.90 | 480 | 187.7 |
| SK3-37 Sloped channel - 39.37" (1m) | 69037 | 19.09 | 485 | 189.1 |
| SK3-38 Sloped channel - 39.37" (1m) | 69038 | 19.29 | 490 | 190.5 |
| SK3-39 Sloped channel - 39.37" (1m) | 69039 | 19.49 | 495 | 191.9 |
| SK3-40 Sloped channel - 39.37" (1m) [Ⓜ] | 69040 | 19.69 | 500 | 193.2 |
| SK3-040 Constant depth channel - 39.37" (1m)[Ⓜ] | 69048 | 19.69 | 500 | 193.2 |
| SK3-0403 Constant depth channel - 19.69" (0.5m)[Ⓜ] | 69050 | 19.69 | 500 | 109.0 |
| SK3-903D In-line catch basin - 19.69" (0.5m) [Ⓜ] | 69053 | 37.40 | 950 | 99.4 |
| SK3-904D In-line catch basin - 19.69" (0.5m) [Ⓜ] | 69054 | 49.53 | 1258 | 104.4 |
| Series 600 Optional plastic riser | 99902 | - | - | 10.0 |
| Foul air trap - fits both 910 & 610 basins | 90854 | - | - | 1.2 |
| SK3 channel Universal end cap | 96827 | 19.69 | 500 | 2.5 |
| SK3 channel Installation device | 97479 | - | - | 4.9 |
| Grate removal tool | 01318 | - | - | 0.3 |
| SK3 ductile iron slotted grate [Ⓢ] | 02445 | - | - | 50.0 |
| SK3 ductile iron longitudinal ADA grate [Ⓢ] | 96833 | - | - | 64.0 |
| SK3 ductile iron 4-bolt | 99592 | - | - | 50.2 |

Notes:

1. This channel offers bottom knockout feature: 6" & 8" round.
2. Inverts shown are male end; for female invert depth subtract 5mm (≈0.2") from male invert (except neutral channels where it will be same as male invert). To calculate overall channel depth, add 20mm (0.79") to invert depth.
3. Catch basin assembly includes grate, polymer concrete top, trash bucket and plastic base.
4. Catch basin assembly includes grate, polymer concrete top, deep trash bucket, plastic riser and plastic base.
5. See 12" width ductile iron grate specification info for grate details.

| Specifications | | Frost proof | YES | edge rail shall be at least 1/4" (6mm) thick. |
|-----------------------|-----------------------------------------------------------------------------------------------------------------------------------------------------------------------|--------------------------------------------------------------------------------------------------------------------------------------------------------------------------------------------------------------------------------------------------------------------------------------------------------------------------------------------------------------------------------------------------------------------------------------------------------------------------------------------------------------------------------------------------------------------------------------------------------------------------------------------------------------------------------------|-----|-----------------------------------------------|
| | | Salt proof | YES | |
| | | Dilute acid and alkali resistant | YES | |
| General | The surface drainage system shall be ACO Drain PowerDrain S300K as manufactured by ACO, Inc. or equal approved. (Add appropriate grate - see grate spec information). | The nominal clear opening shall be 12" (300mm) with overall width of 10.24" (260mm). Pre-cast units shall be manufactured with either an invert slope of 0.5% or with neutral invert and have a wall thickness of at least 0.67" (16mm). Each unit will feature a partial radius in the trench bottom and a male to female interconnecting end profile. Units shall have horizontal cast in anchoring keys on the outside wall to ensure maximum mechanical bond to the surrounding bedding material and pavement surface. The ductile iron edge rail will be integrally cast in by the manufacturer to ensure maximum homogeneity between polymer concrete body and edge rail. Each | | |
| Materials | The trench system bodies shall be manufactured from polymer concrete with minimum properties as follows: | Installation The trench drain system shall be installed in accordance with the manufacturer's installation instructions and recommendations. | | |
| Compressive strength: | 14,000 psi | | | |
| Flexural strength: | 4,000 psi | | | |
| Water absorption | 0.07% | | | |

ACO, Inc.
Northeast Sales Office
 9470 Pinecone Dr.
 Mentor, OH 44060
 Tel: (440) 639-7230
 Toll free: (800) 543-4764
 Fax: (440) 639-7235

West Sales Office
 825 W. Beechcraft St.
 Casa Grande, AZ 85122
 Tel: (520) 421-9988
 Toll Free: (888) 490-9552
 Fax: (520) 421-9899

Southeast Sales Office
 4211 Pleasant Road
 Fort Mill, SC 29708
 Toll free: (800) 543-4764
 Fax: (803) 802-1063

Follow us on

Electronic Contact:
 info@ACODrain.us
 www.ACODrain.us



© April 2018 ACO, Inc. This information is believed to be accurate but it is not guaranteed to be so. We cannot assume liability for results that buyer obtains with our product since conditions of use are beyond the control of the company. It is the customer's responsibility to evaluate suitability and safety of product for his own use. ACO, Inc. reserves the right to change the product and specifications without notice. v1.0