

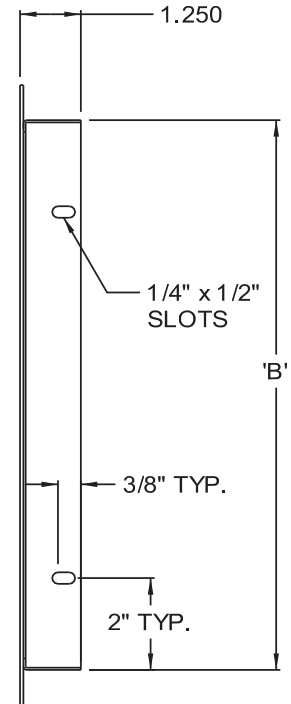
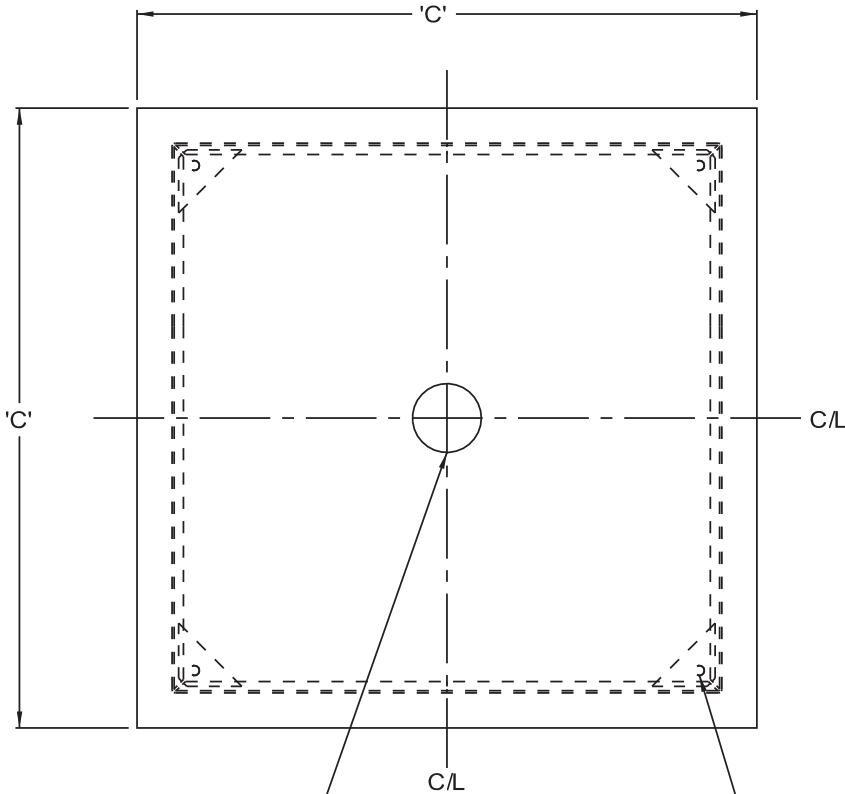
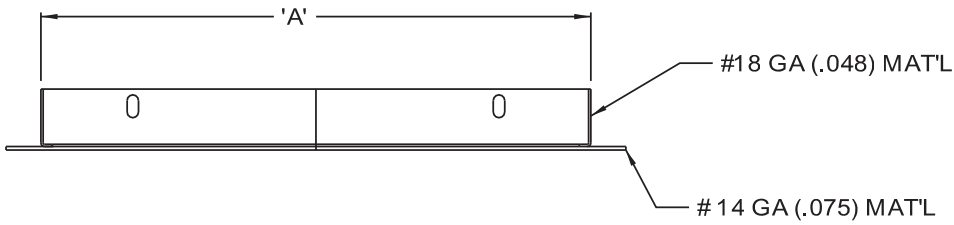


www.acudor.com  
 U.S.A.: info@acudor.com / 800.722.0501  
 CANADA: info@acudor.ca / 844.228.3671  
 INTERNATIONAL: info@acudorintl.com  
 (905) 428.2240

**AFVP**

**FLUSH VALVE ACCESS PANEL**

QTY.	NOMINAL SIZE	A	B	C	D			LOCK
	12 x 12 (305 x 305)	12 (305)	12 (305)	13.5 (343)	13.5 (343)			
	15 x 15 (381 x 381)	15 (381)	15 (381)	16.5 (419)	16.5 (419)			



1-1/2" DIA. CENTER HOLE  
 (OPTIONAL)

S/S #8-32  
 SPANNER HEAD SCREWS  
 (4)

STANDARD FEATURES: TAMPER PROOF STAINLESS STEEL SCREWS, STAINLESS STEEL, #4 SATIN POLISH

OPTIONS:

LOCK TYPE  
 OTHER

MATERIAL  
 OTHER

FINISH  
 OTHER

JOB NAME:

APPROVED BY:

CUSTOMER:

DATE: