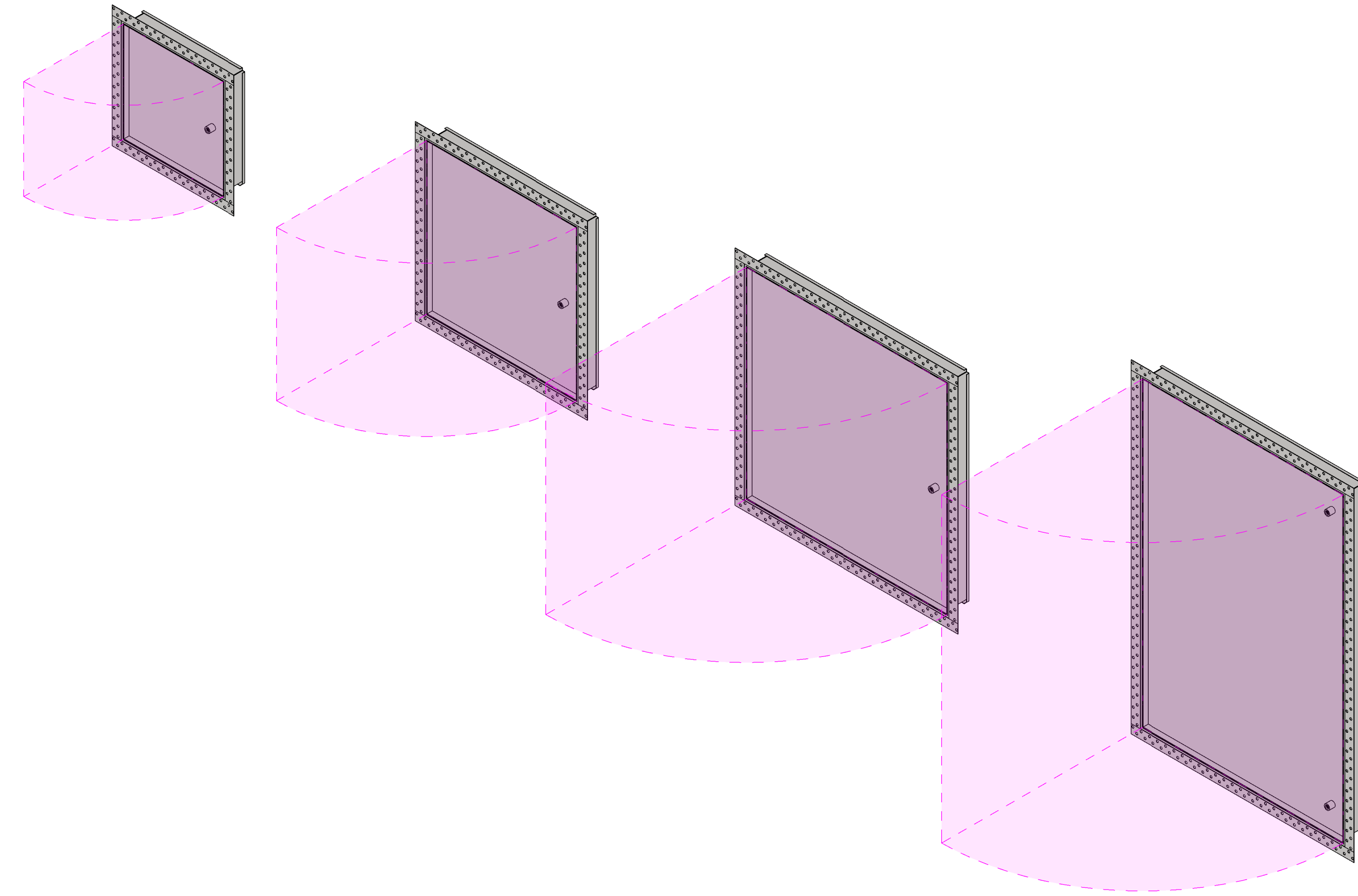
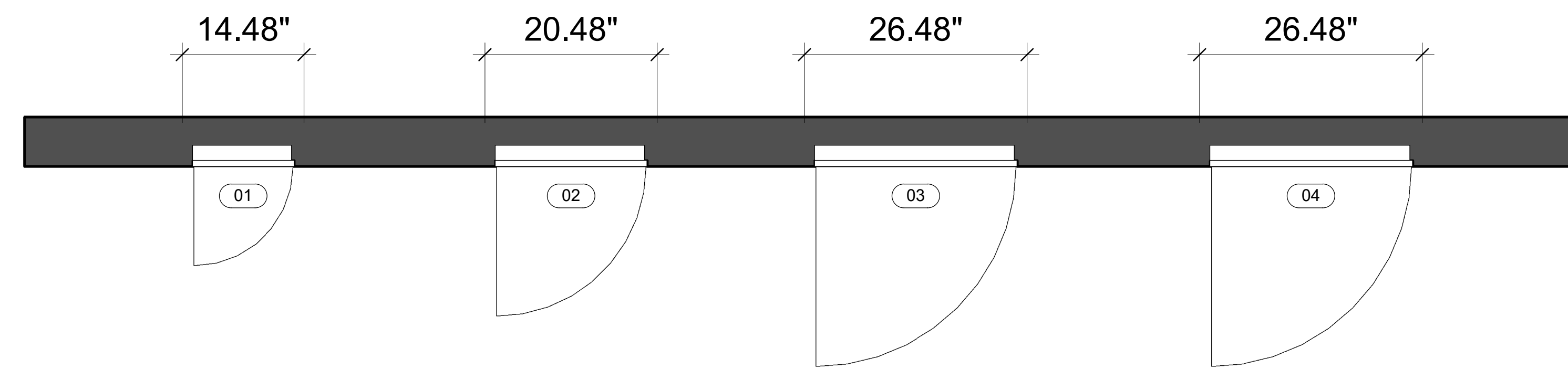


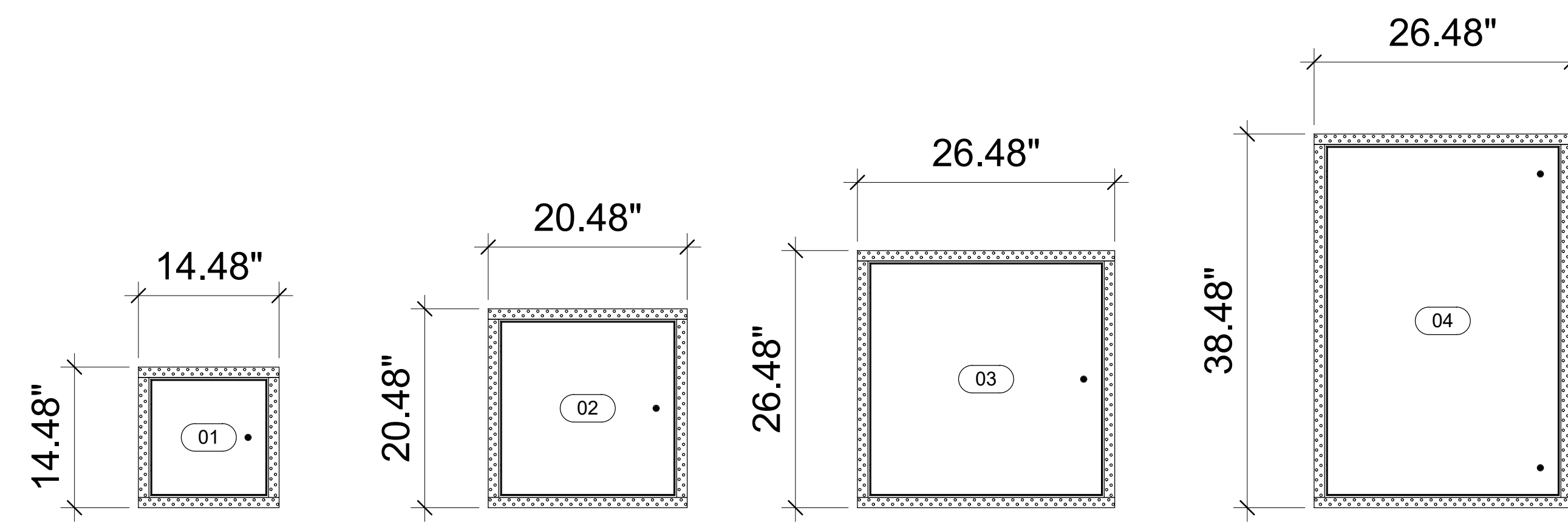
www.acudor.com



1 3D View



2 Level 1
1" = 1'-0"



3 Elevation 2
1" = 1'-0"

Door Schedule												
Type Mark	Manufacturer	Description	Model	Type	Width	Height	URL	Manufacturer URL	USA Manufacturer URL	USA Contact Number	Canada Manufacturer URL	Canada Contact Number
Access_Door_Acudor_Recessed_DW-5015												
01	ACUDOR	RECESSED FOR DRYWALL	DW-5015-1212	DW-5015-1212	14.48	14.48	www.acudor.com	info@acudorintl.com	info@acudor.com	800-722-0501	info@acudor.ca	844-228-3671
02	ACUDOR	RECESSED FOR DRYWALL	DW-5015-1818	DW-5015-1818	20.48	20.48	www.acudor.com	info@acudorintl.com	info@acudor.com	800-722-0501	info@acudor.ca	844-228-3671
03	ACUDOR	RECESSED FOR DRYWALL	DW-5015-2424	DW-5015-2424	26.48	26.48	www.acudor.com	info@acudorintl.com	info@acudor.com	800-722-0501	info@acudor.ca	844-228-3671
04	ACUDOR	RECESSED FOR DRYWALL	DW-5015-2436	DW-5015-2436	26.48	38.48	www.acudor.com	info@acudorintl.com	info@acudor.com	800-722-0501	info@acudor.ca	844-228-3671

No.	Description	Date

Access Door Acudor Recessed DW-5015

3D View, Plan, Elev, & Schedule

Project Number 015
Date 06-21-2020

DW-5015

Scale 1" = 1'-0"

21/06/2020 11:12:21 PM