

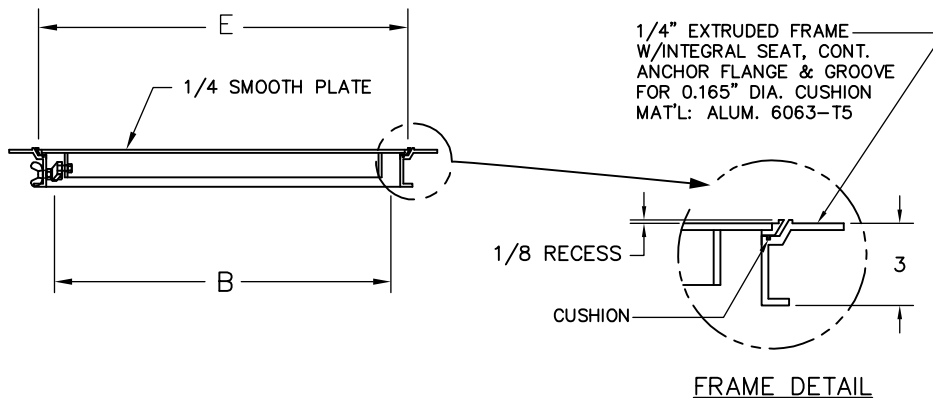
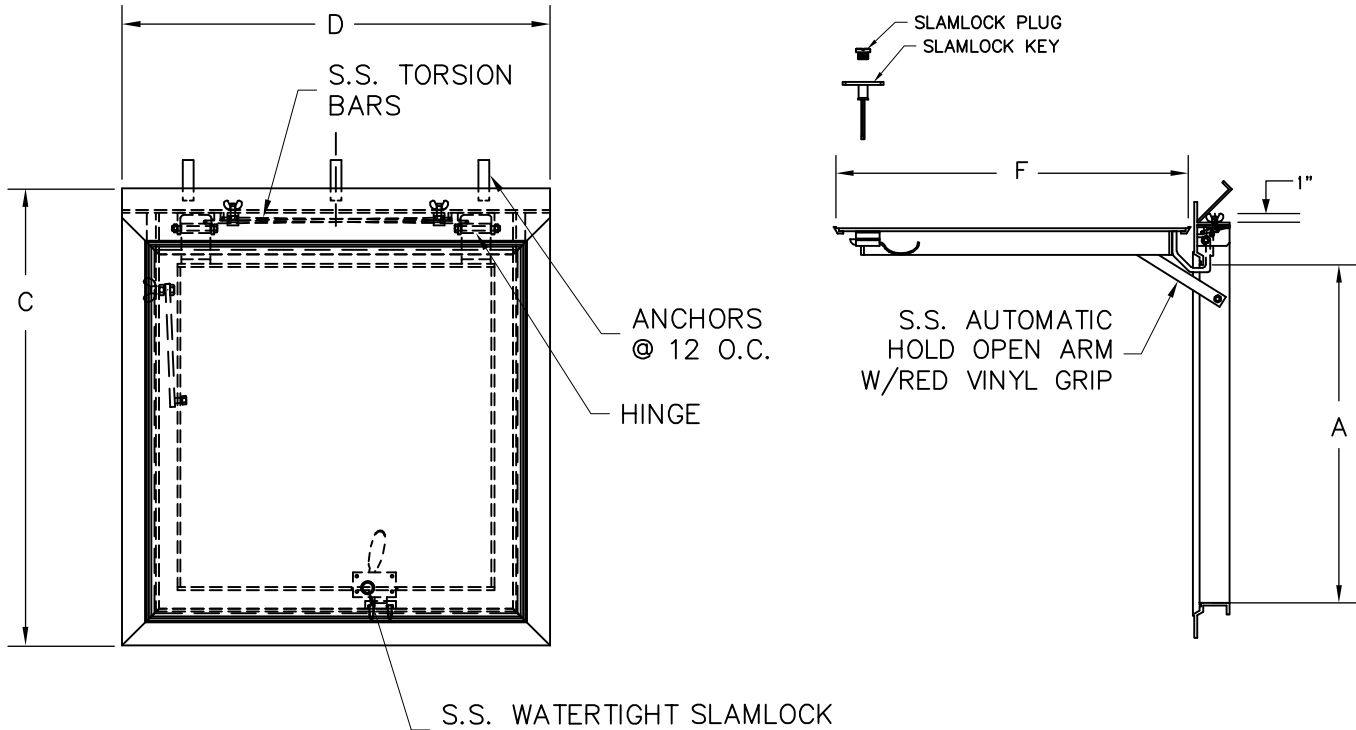


www.acudor.com  
 U.S.A.: info@acudor.com / 800.722.0501  
 CANADA: info@acudor.ca / 844.228.3671  
 INTERNATIONAL: info@acudorintl.com  
 905.428.2240

# FT-8040

**1/8" RECESSED FOR VINYL  
 TILE/CARPET - SINGLE LEAF**

QTY	NOMINAL SIZE	CLEAR OPENING		OVERALL SIZE		RECEIVING TILE AREA		WEIGHT
	inches (mm)	A	B	C	D	E	F	lbs. (kg)
	24 x 24 (609 x 609)	22.75 (578)	22.75 (578)	31.125 (793)	28.75 (730)	24.00 (609)	24.00 (609)	25 (11)
	24 x 30 (609 x 762)	22.75 (578)	28.75 (730)	31.125 (793)	34.75 (882)	30.00 (762)	24.00 (609)	54 (24)
	24 x 36 (609 x 914)	22.75 (578)	34.75 (882)	31.125 (793)	40.75 (1035)	36.00 (914)	24.00 (609)	62 (28)
	30 x 30 (762 x 762)	28.75 (730)	28.75 (730)	37.125 (942)	34.75 (882)	30.00 (762)	30.00 (762)	74 (33)
	30 x 36 (762 x 914)	28.75 (730)	34.75 (882)	37.125 (942)	40.75 (1035)	36.00 (914)	30.00 (762)	82 (37)
	36 x 36 (914 x 914)	34.75 (882)	34.75 (882)	43.125 (1092)	40.75 (1035)	36.00 (914)	36.00 (914)	85 (38)
	42 x 42 (1066 x 1066)	40.75 (1035)	40.75 (1035)	49.125 (1247)	46.75 (1187)	42.00 (1066)	42.00 (1066)	90 (40)



- NOTES:**
- 1- MATERIAL: ALUMINUM
  - 2- LOADING: 150 LBS. PER SQ. FT.
  - 3- 316 STAINLESS STEEL BOLTS & NUTS
  - 4- AREA OF FRAME IN CONTACT WITH CONCRETE TO BE PAINTED WITH BITUMINOUS COATING.

JOB NAME:  
 CUSTOMER:

APPROVED BY:  
 DATE:

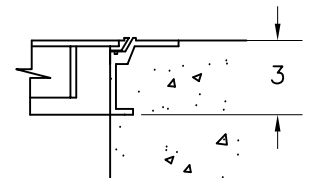
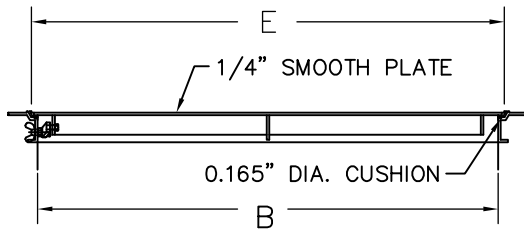
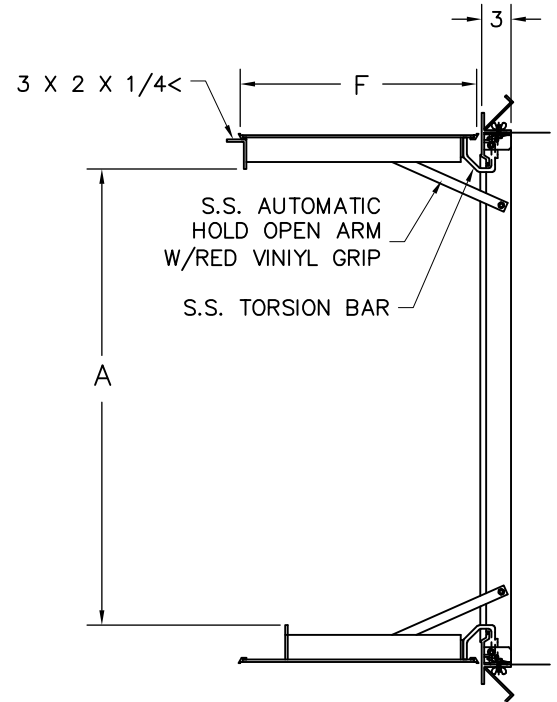
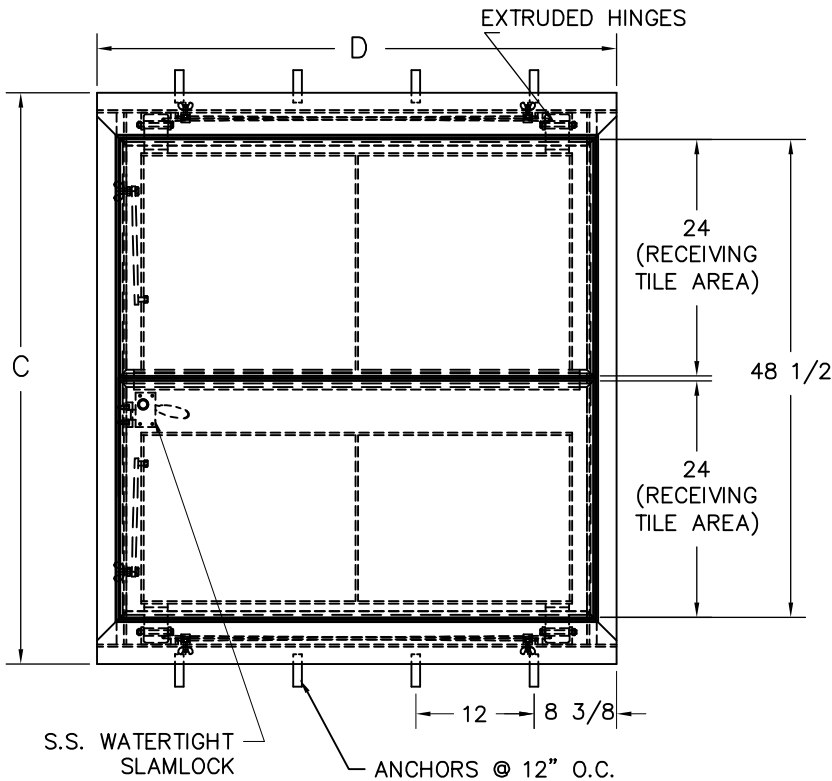


www.acudor.com  
 U.S.A.: info@acudor.com / 800.722.0501  
 CANADA: info@acudor.ca / 844.228.3671  
 INTERNATIONAL: info@acudorintl.com  
 905.428.2240

# FT-8040

**1/8" RECESSED FOR VINYL  
 TILE/CARPET - DOUBLE LEAF**

QTY	NOMINAL SIZE	CLEAR OPENING		OVERALL SIZE		RECEIVING TILE AREA		WEIGHT
	inches (mm)	A	B	C	D	E	F	lbs. (kg)
	48 x 48 (1220 x 1220)	47 (1193)	46.75 (1187)	58.00 (1473)	52.75 (1339)	48.00 (1220)	24.00 (609)	155 (71)
	48 x 72 (1220 x 1829)	69 (1752)	46.75 (1187)	81.50 (2070)	52.75 (1339)	48.00 (1220)	35.75 (908)	220 (100)
	60 x 60 (1524 x 1524)	59 (1498)	58.75 (1492)	70.00 (1778)	64.75 (1644)	60.00 (1524)	30.00 (762)	225 (102)



FRAME DETAIL

- NOTE:
- 1- MATERIAL: ALUMINUM
  - 2- LOADING: 150 LBS. PER SQ. FT.
  - 3- 316 STAINLESS STEEL BOLTS & NUTS
  - 4- AREA OF FRAME IN CONTACT WITH CONCRETE TO BE PAINTED WITH BITUMINOUS COATING.

JOB NAME:  
 CUSTOMER:

APPROVED BY:  
 DATE: