

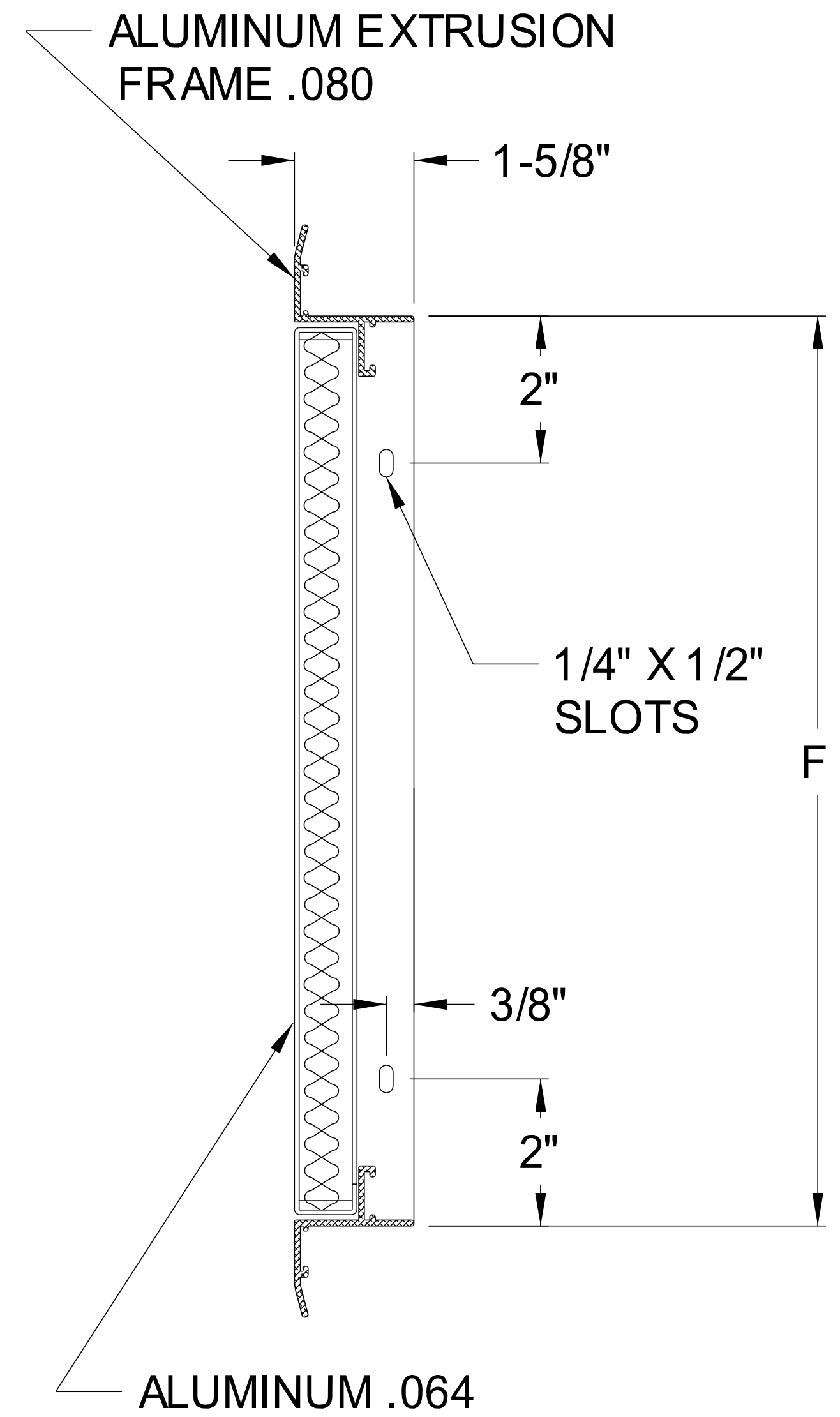
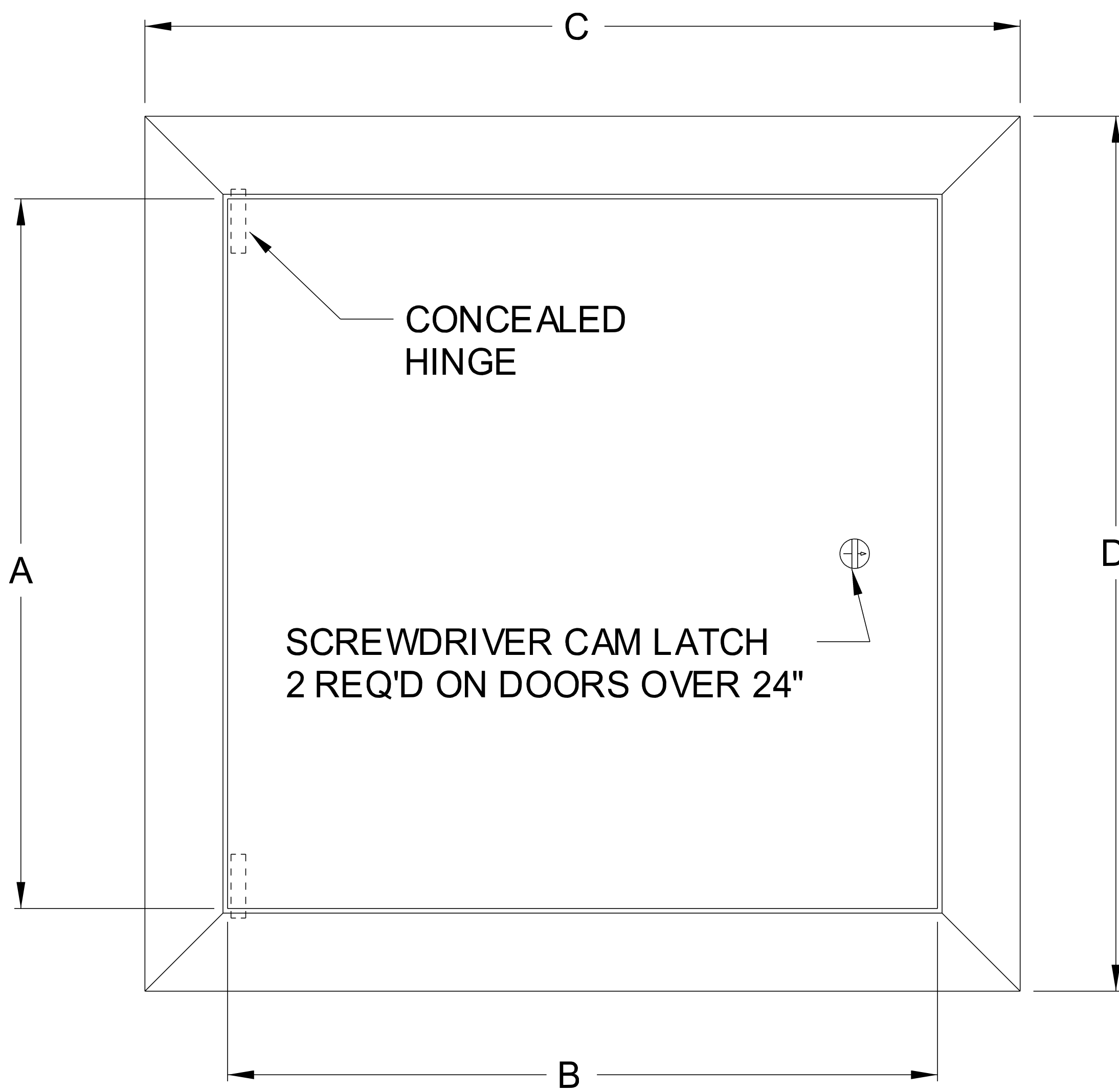
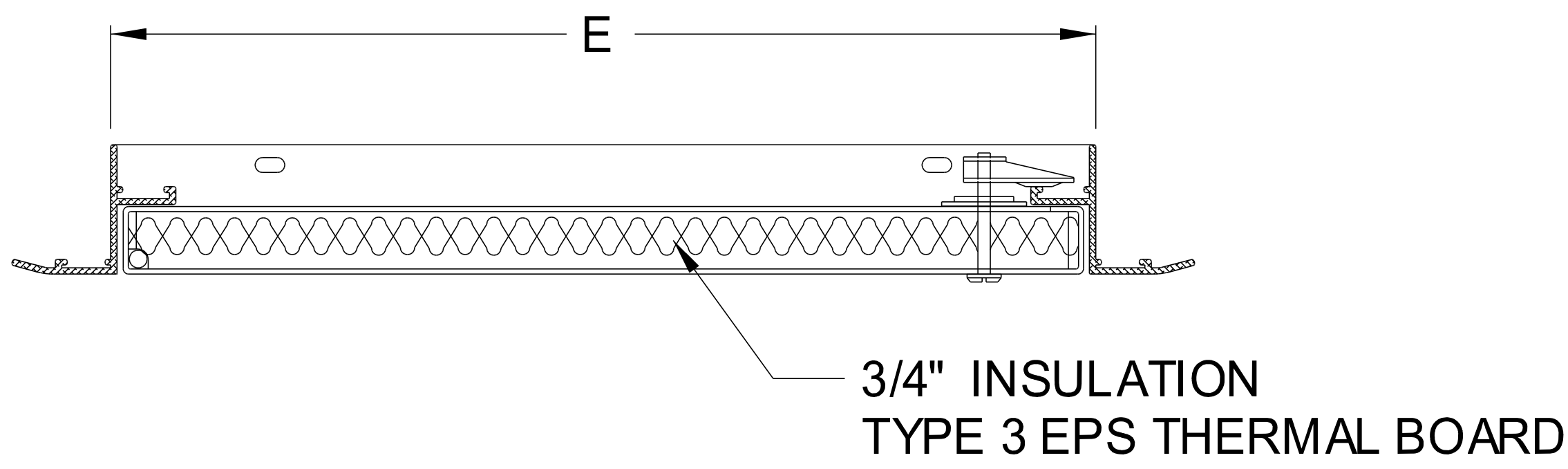
# ACUDOR Products Inc.

(Address 1) 80 Little Falls Rd. Fairfield NJ 07004 USA  
 (Address 2) 4216 N. Pecos Rd, Ste. 104 Las Vegas, NV 89115  
 Tel : 800-722-0501 Fax : (973) 575-5160  
 www.acudor.com e-mail : info@acudor.com

# LT-4000

## LIGHT WEIGHT ALUMINUM

QTY.	NOMINAL SIZE	A	B	C	D	E	F	LOCK
	8 x 8 (203 x 203)	8.062 (205)	8.062 (205)	10.855 (276)	10.855 (276)	8.375 (213)	8.375 (213)	1
	10 x 10 (254 x 254)	10.062 (256)	10.062 (256)	12.855 (327)	12.855 (327)	10.375 (264)	10.375 (264)	1
	12 x 12 (305 x 305)	12.062 (307)	12.062 (307)	14.855 (377)	14.855 (377)	12.375 (314)	12.375 (314)	1
	14 x 14 (355 x 355)	14.062 (358)	14.062 (358)	16.855 (428)	16.855 (428)	14.375 (365)	14.375 (365)	1
	18 x 18 (457 x 457)	18.062 (459)	18.062 (459)	20.855 (530)	20.855 (530)	18.375 (467)	18.375 (467)	1
	24 x 24 (610 x 610)	24.062 (612)	24.062 (612)	26.855 (682)	26.855 (682)	24.375 (619)	24.375 (619)	1
	24 x 36 (610 x 914)	36.062 (917)	24.062 (612)	26.855 (682)	38.855 (987)	24.375 (619)	36.375 (924)	2
	24 x 48 (610 x 1220)	48.062 (1221)	24.062 (612)	26.855 (682)	50.855 (1292)	24.375 (619)	48.375 (1229)	2



STANDARD FEATURES: SCREWDRIVER OPERATED CAM LATCH, ALUMINUM DOOR AND FRAME, MILL FINISH

OPTIONS:

- |   |                                   |                                 |   |
|---|-----------------------------------|---------------------------------|---|
| <input type="checkbox"/> LOCK TYPE              | <input type="checkbox"/> MATERIAL | <input type="checkbox"/> FINISH | <input type="checkbox"/> OPTION                                     |
| <input type="checkbox"/> CYLINDER LOCK & KEY    | <input type="checkbox"/> OTHER    | <input type="checkbox"/> OTHER  | <input type="checkbox"/> 1/16" X 1/2" NEOPRENE GASKET (IF REQUIRED) |
| <input type="checkbox"/> SPANNER HEAD CAM LATCH |                                   |                                 |   |
| <input type="checkbox"/> OTHER                  |                                   |                                 |   |

JOB NAME:  
 CUSTOMER:

APPROVED BY:  
 DATE: