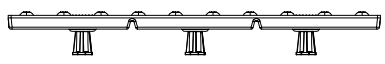
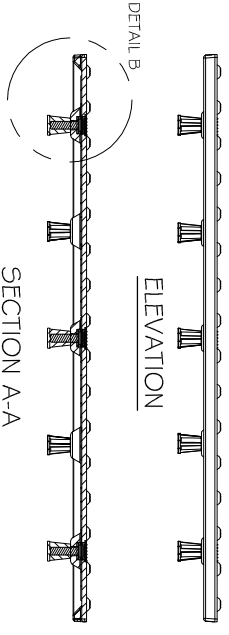


36.000 [914.4]
27.429 [696.7]

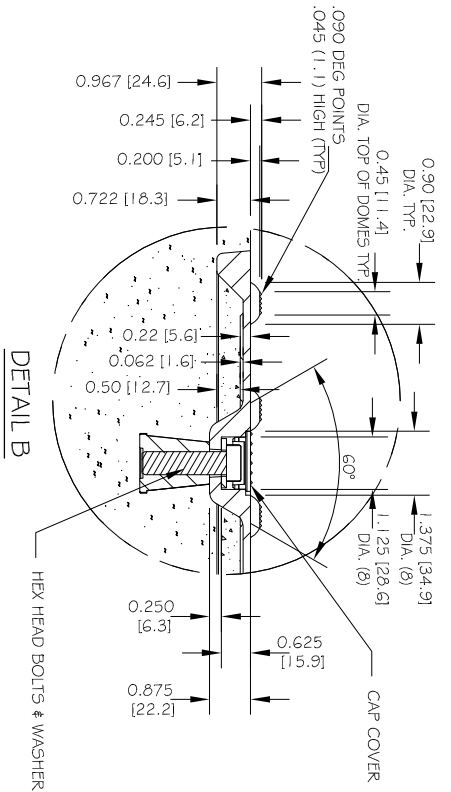
TOP OF PANEL
15 - EQUAL SPACES
34.286 [870.9]



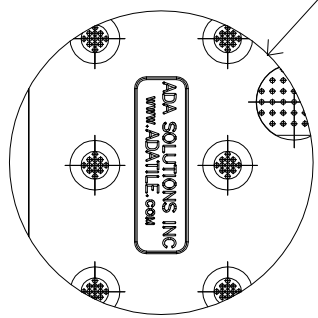
ELEVATION



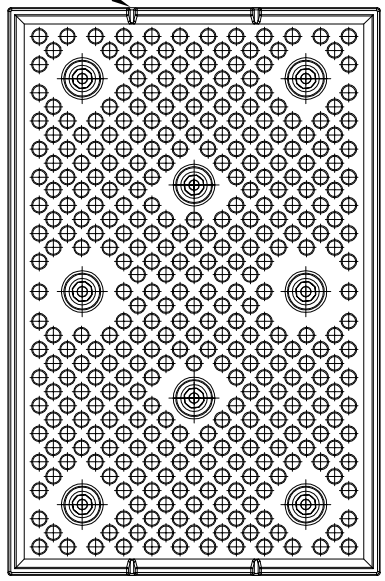
SECTION A-A



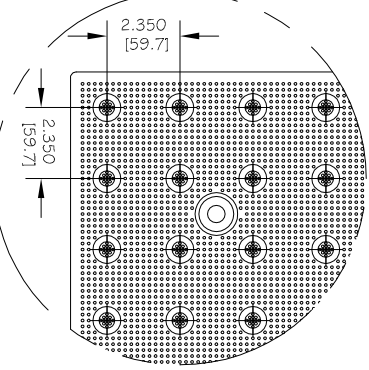
DETAIL B



AIR VENTS LOCATED ON
THE ENDS OF THE TWO UNIT



BOTTOM OF PANEL



DETAIL A
FIELD DOT 7 DOME LAYOUT

ALL DIMENSIONS NOMINAL
PRIMARY DIMENSION INCHES
mm IN PARENTHESES

TRADE TACTILE WARNING SURFACE	PART NO. 2436NV8REP
MATERIAL SNC COMPOSITE	

PROJECT
WET SET ADA REPLACEABLE TACTILE
WARNING SURFACE UNIT
8-BOLT LOCATIONS
2.350" (59.7mm) IN LINE TRUNCATED DOME
PART SIZE 24" (610mm) x 36" (914mm)
PLANS AND DETAILS

DRAWING NO. ADA-REP2436	DATE 06-15-17
----------------------------	------------------

ADA SOLUTIONS, INC.
DETECTABLE WARNING SURFACES
FOR PEDESTRIAN CROSSINGS
WWW.ADATILE.COM
PHONE: (800)372-0519
EMAIL: INFO@ADATILE.COM