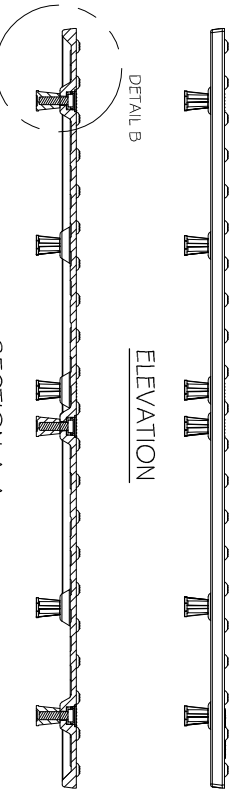


TOP OF PANEL

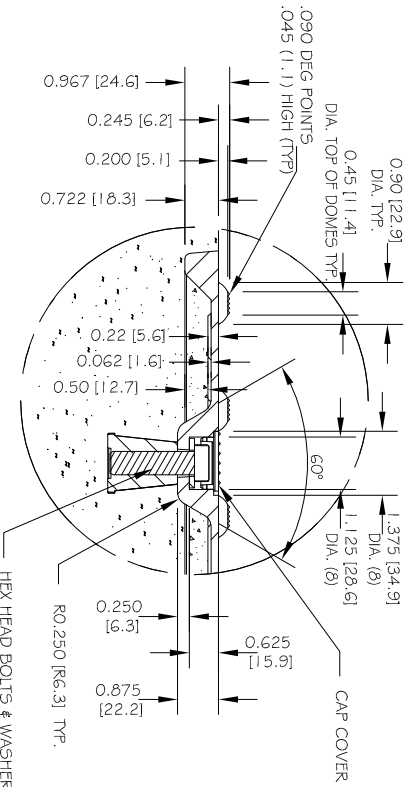
BOTTOM OF PANEL

DETAIL B

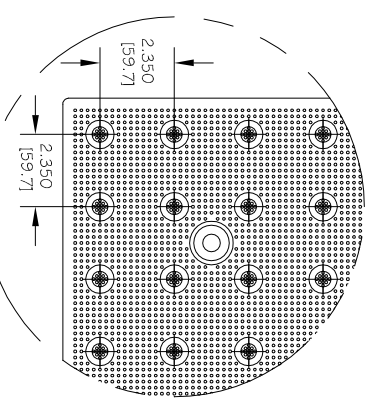


ELEVATION

SECTION A-A



DETAIL B



DETAIL A

FIELD DOT 7 DOME LAYOUT

ALL DIMENSIONS NOMINAL  
PRIMARY DIMENSION INCHES  
mm IN PARENTHESES

TRADE  
TACTILE WARNING SURFACE  
PART NO. 2448NVSREP

MATERIAL  
SMC COMPOSITE

**PROJECT**

WET SET ADA REPLACEABLE TACTILE  
WARNING SURFACE UNIT  
8-BOLT LOCATIONS  
2.350" (59.7mm) IN LINE TRUNCATED DOME  
PART SIZE 24" (610mm) x 48" (1219mm)  
PLANS AND DETAILS

DRAWING NO. ADA-REP2448  
DATE 06-15-17



WWW.ADATILE.COM  
PHONE: (800)372-0519  
EMAIL: INFO@ADATILE.COM