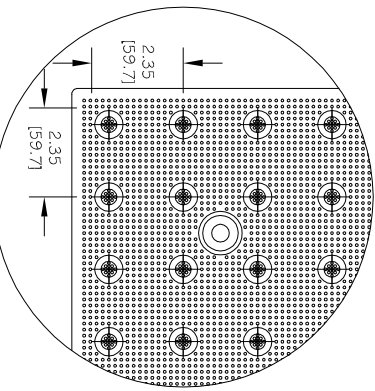
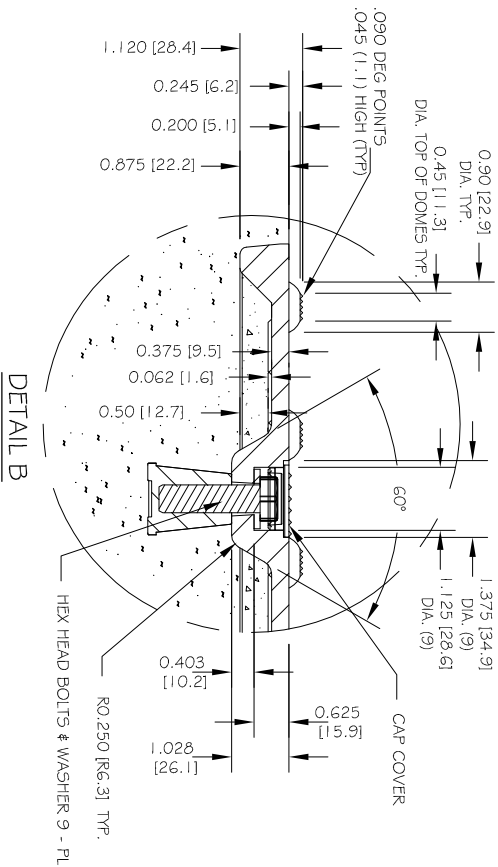
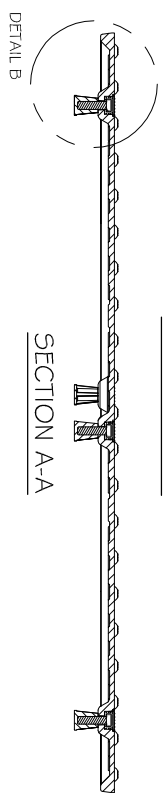
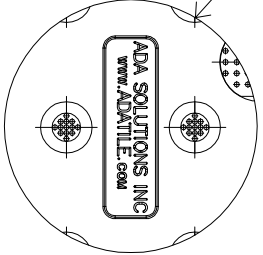


TOP OF PANEL
45.714 [1161.1]
20 - EQUAL SPACES

BOTTOM OF PANEL



FIELD DOT T3 DOME LAYOUT



ALL DIMENSIONS NOMINAL	
PRIMARY DIMENSION INCHES	
mm IN PARENTHESES	
TRADE	PART NO.
TACTILE WARNING SURFACE	3648RPD
MATERIAL	
SMC COMPOSITE	

PROJECT	
WET SET ADA HD REPLACEABLE TACTILE	
WARNING SURFACE UNIT	
9-BOLT LOCATIONS	
2.350" 59.7mm IN LINE TRUNCATED DOME	
PART SIZE 36" (914mm) x 48" (1219mm)	
PLANS AND DETAILS	

DRAWING NO.	DATE
ADA-REPHD3648	06-15-17

ADA SOLUTIONS, INC.
DETECTABLE WARNING SURFACES
FOR PEDESTRIAN CROSSINGS

WWW.ADATILE.COM
PHONE: (800)372-0519
EMAIL: INFO@ADATILE.COM