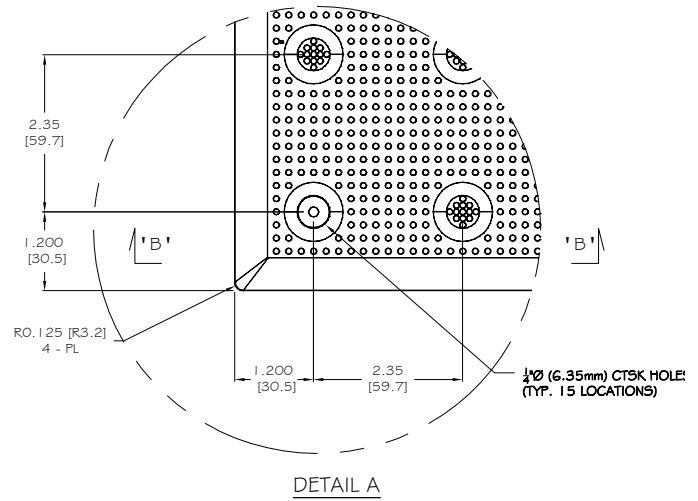
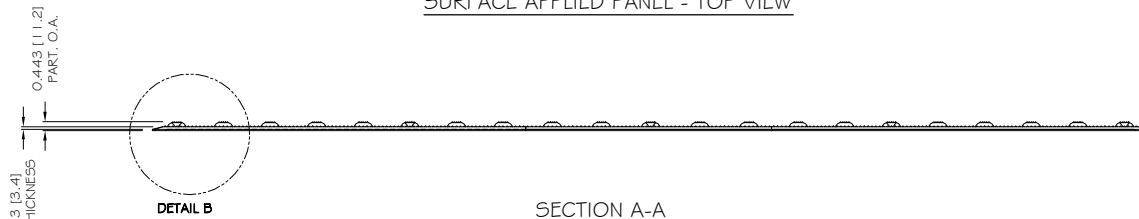
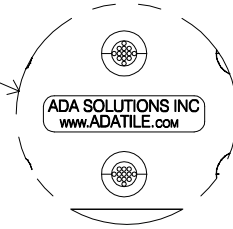


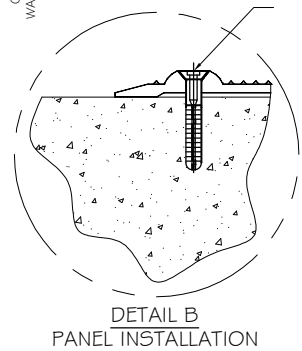
SURFACE APPLIED PANEL - TOP VIEW



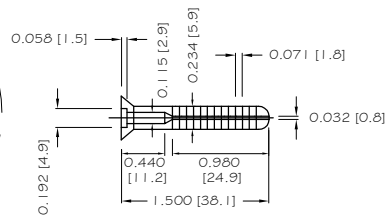
DETAIL A



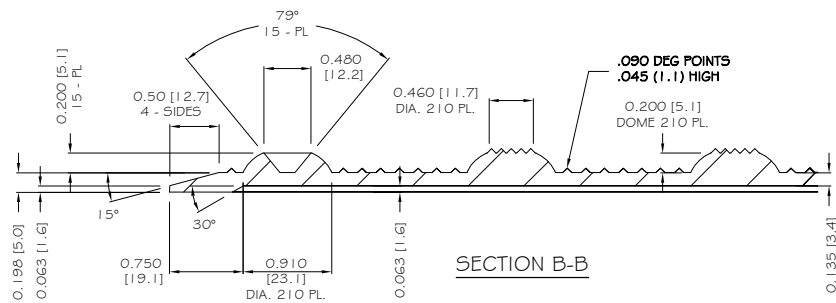
SECTION A-A




DETAIL B  
PANEL INSTALLATION



COMPOSITE SLEEVE ANCHOR WITH STAINLESS STEEL NAIL  
1/4" X 1/2" (6.35mm X 38.1mm)



SECTION B-B

ALL DIMENSIONS NOMINAL PRIMARY DIMENSION INCHES mm IN PARENTHESES	
TRADE TACTILE WARNING SURFACE	PART NO. 2448IDRET2_
MATERIAL SMC COMPOSITE	
<b>PROJECT</b> SURFACE APPLIED TACTILE WARNING SURFACE PANEL 15-ANCHOR LOCATIONS 2.35" (59.7MM) IN LINE TRUNCATED DOME PART SIZE: 24" x 48" (610MM X 1219MM) PLANS AND DETAILS	
DRAWING NO. ADA-SA2448_2	DATE 06-16-17
 <b>ADA SOLUTIONS, INC.</b> DETECTABLE WARNING SURFACES FOR PEDESTRIAN CROSSINGS WWW.ADATILE.COM PHONE: (800)372-0519 EMAIL: INFO@ADATILE.COM	