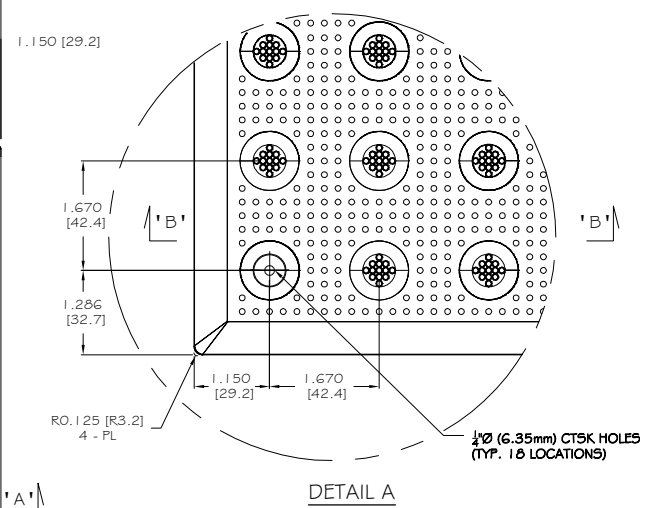
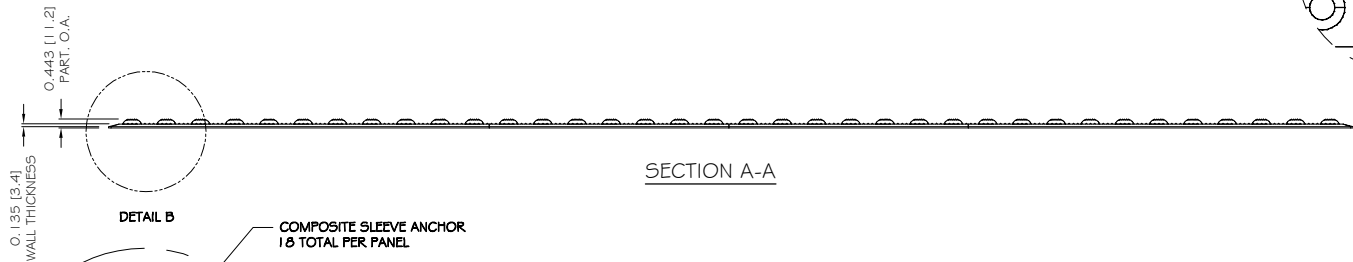
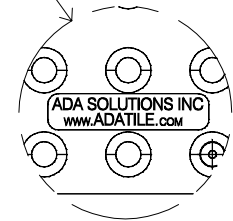


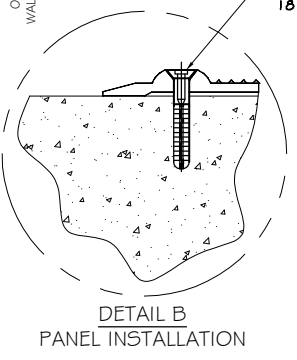
SURFACE APPLIED PANEL - TOP VIEW



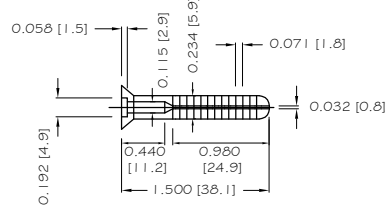
DETAIL A



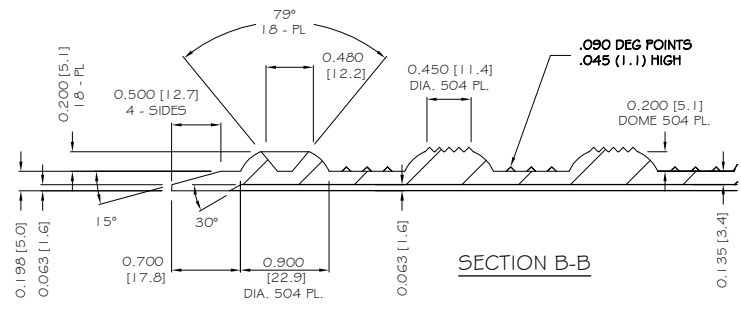
SECTION A-A



**COMPOSITE SLEEVE ANCHOR
18 TOTAL PER PANEL**



**COMPOSITE SLEEVE ANCHOR
WITH STAINLESS STEEL NAIL
1/4" X 1 1/2" (6.35mm X 38.1mm)**



SECTION B-B

ALL DIMENSIONS NOMINAL PRIMARY DIMENSION INCHES mm IN PARENTHESES	
TRADE TACTILE WARNING SURFACE	PART NO. 2460IDRET1_
MATERIAL SMC COMPOSITE	
PROJECT SURFACE APPLIED TACTILE WARNING SURFACE PANEL 18-ANCHOR LOCATIONS 1,670" (42.4MM) IN LINE TRUNCATED DOME PART SIZE: 24" x 60" (610MM X 1524MM) PLANS AND DETAILS	
DRAWING NO. ADA-SA2460_1	DATE 06-16-17
 ADA SOLUTIONS, INC. DETECTABLE WARNING SURFACES FOR PEDESTRIAN CROSSINGS WWW.ADATILE.COM PHONE: (800)372-0519 EMAIL: INFO@ADATILE.COM	