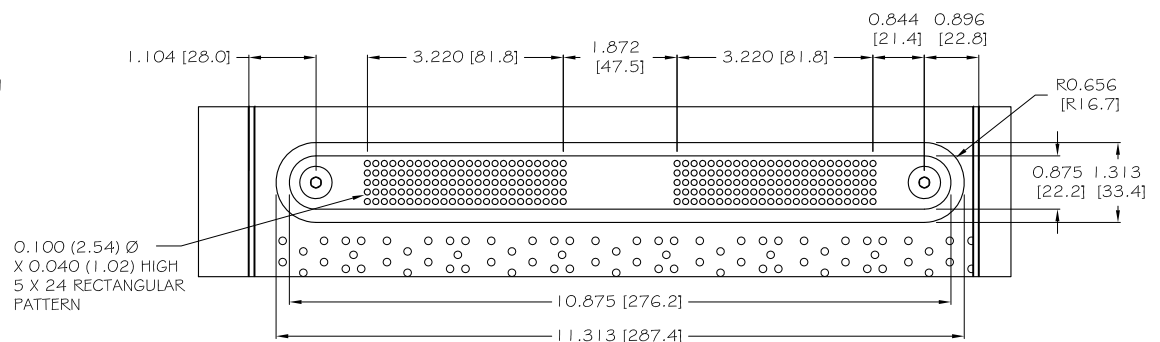
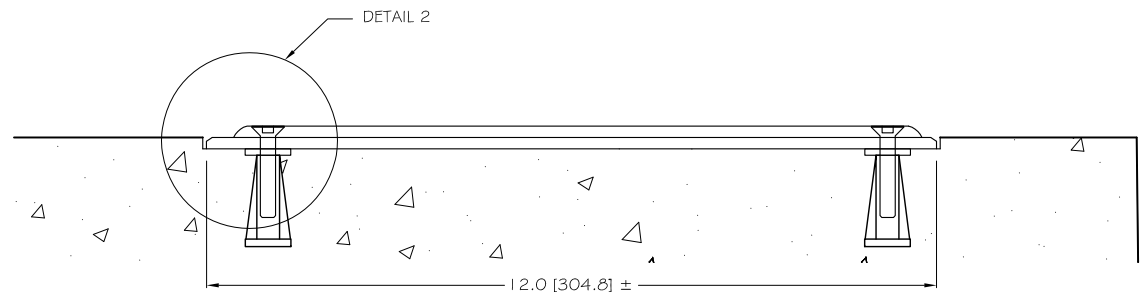


DIRECTIONAL BAR TILE PLAN

SEE DETAIL 1

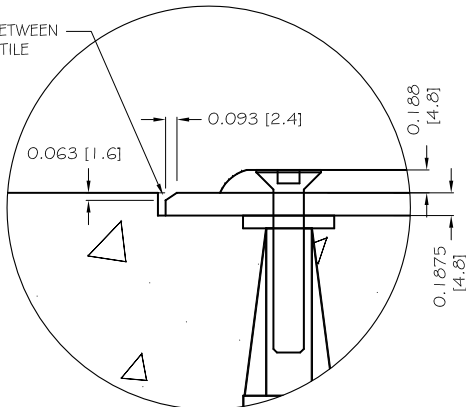


DETAIL 1



SECTION A

CAULK SEAM BETWEEN WALKWAY AND TILE ALL AROUND

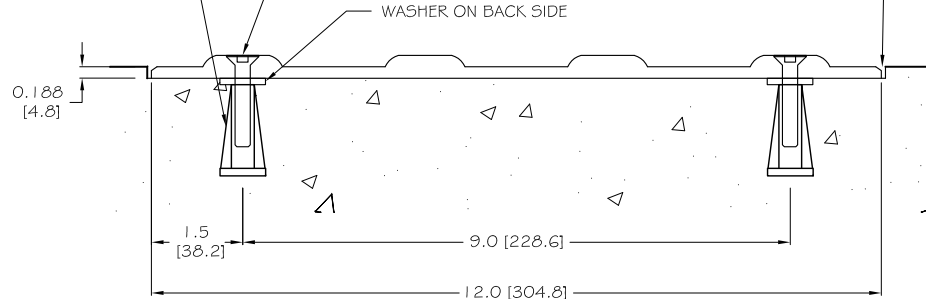


DETAIL 2

1/4 (6.35)-20 X 1 1/2 (38.1) ZINC PRECAST CONCRETE INSERT 6 TOTAL PER TILE


1/4 (6.35)-20 X 1.5 (38.1) FLAT HEAD SOCKET CAP SCREWS STAINLESS STEEL 6 TOTAL PER TILE

CAULK SEAM BETWEEN WALKWAY AND TILE ALL AROUND



SECTION B

NOTE: PRIMARY DIMENSION INCHES
mm IN PARENTHESES

TRADE WAYFINDING TILE	PART NO. BARTILEREP1212.188
MATERIAL SMC COMPOSITE	
PROJECT REP DIRECTIONAL BAR TILE PART SIZE: 12" x 12" (305mm x 305mm) 4-BOLT LOCATIONS 0.1875 (4.8) BODY THICKNESS PLANS AND DETAILS	
DRAWING NO. ADA-DGTREP_1212_0.188	DATE 08-01-14
 ADA SOLUTIONS, INC. DETECTABLE WARNING SURFACES FOR PEDESTRIAN CROSSINGS WWW.ADATILE.COM PHONE: (800)372-0519 EMAIL: INFO@ADATILE.COM	