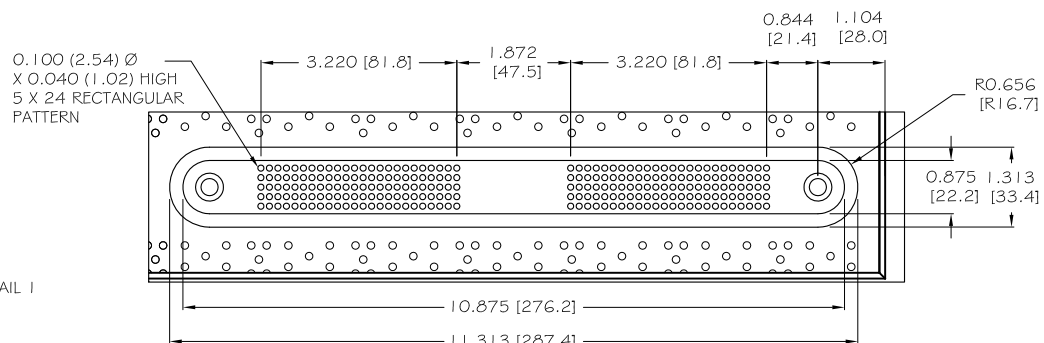
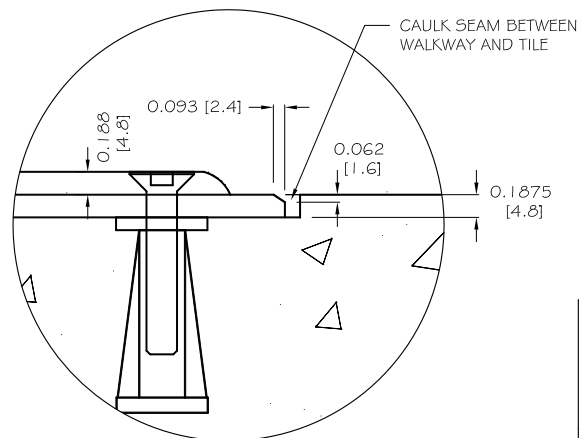


DIRECTIONAL BAR TILE PLAN

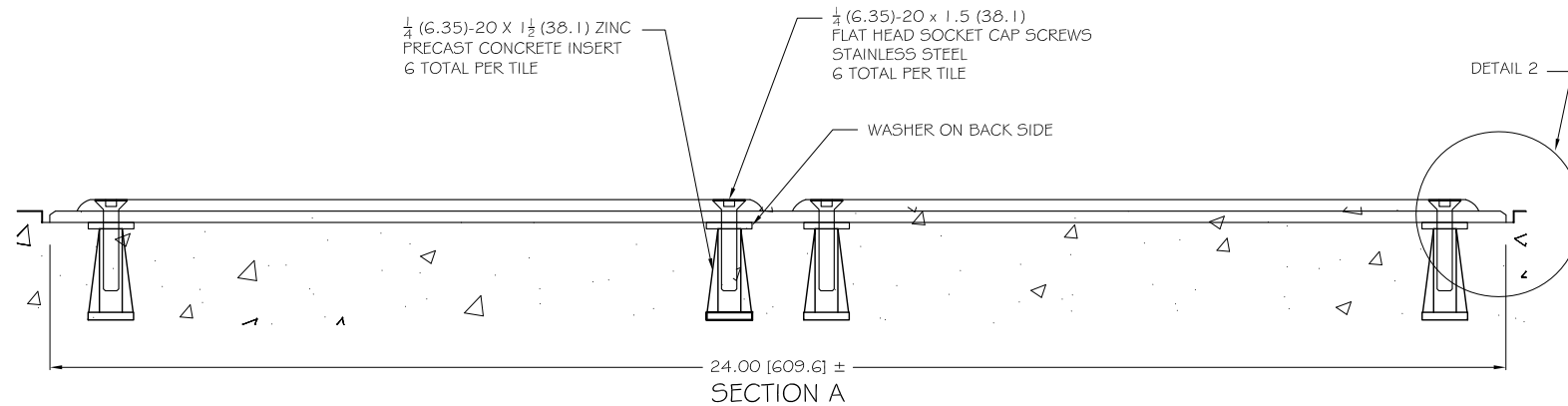


DETAIL 1




DETAIL 2

NOTE: PRIMARY DIMENSION INCHES
mm IN PARENTHESES



SECTION A

TRADE WAYFINDING TILE		PART NO. BARTILEREP1224.188	
MATERIAL SMC COMPOSITE			
PROJECT			
REP DIRECTIONAL BAR TILE			
PART SIZE: 12" x 24" (305mm x 610mm)			
8-BOLT LOCATIONS			
0.1875 (4.8) BODY THICKNESS			
PLANS AND DETAILS			
DRAWING NO. ADA-DGTREP_1224_0.188		DATE 08-01-14	
 <p>ADA SOLUTIONS, INC. DETECTABLE WARNING SURFACES FOR PEDESTRIAN CROSSINGS</p> <p>WWW.ADATILE.COM PHONE: (800)372-0519 EMAIL: INFO@ADATILE.COM</p>			