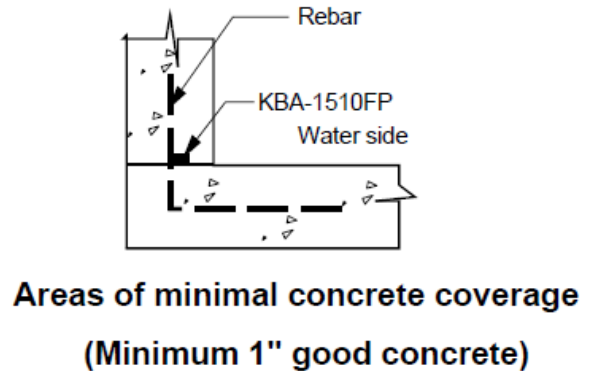
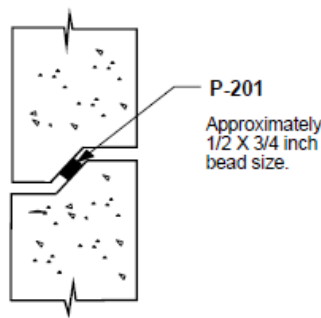
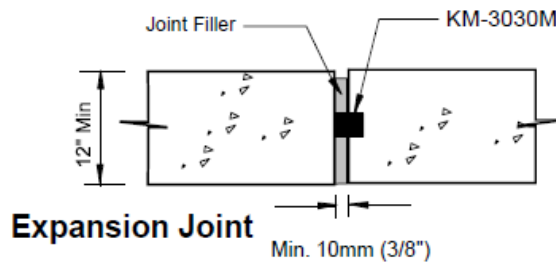
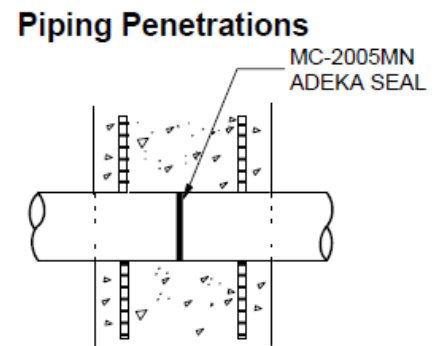
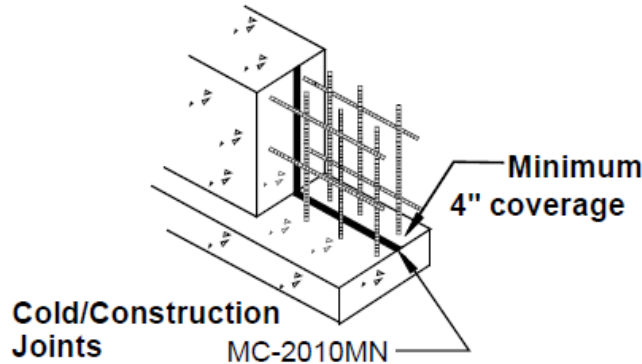


Stop Water Where It Counts!

**USE ADEKA ULTRASEAL®
 TO WATERPROOF**

- Below grade joints
 - Piping penetrations
 - Pre-cast segments
 - Isolation joints
 - Expansion joints
 - Utility vaults
 - Manholes
 - Sheet pile interlocks
 - Tunnel segments
 - H Piles
 - Crack repair
 - WWTP
 - WTP
 - Water tanks
 - Cooling towers
 - Dams
 - Reservoirs
 - Containment areas
 - Cured-In-Place-Pipe (CIPP)
- And much more....



CONSTRUCTION / COLD JOINTS

Products encapsulated in concrete • Non-moving below grade or water exposed cold joints

MC-2010MN

pre-formed rubber strip 20mm X 10mm
(0.79" X 0.39" - 3/4" X 3/8")

Minimum Use Conditions:

- Wall/slab thickness greater than 9.0" (10.0" recommended) Minimum 4" concrete coverage - 6.5 ft wall height (check with representative for variations)
- Between double row of rebar
- Below grade or water present either side of wall/slab joint

Benefits:

- Withstand high hydrostatic head
- Withstand intermittent exposure to rain or water
- Expands up to 2 times by volume
- Embedded wire mesh promotes vertical expansion vs longitudinal
- Attach with OCM BUTYL TAPE (75BRTAPE), nails, glue, P-201 (may need nails or screws with P-201)
- Can be used on rough concrete with P-201
- **NSF approved for potable water**

KBA-1510FP

pre-formed rubber strip 15mm X 10mm
(0.59" X 0.39" - 9/16" X 3/8")

Minimum Use Conditions

- Wall/thickness greater than 4.0" (Minimum 1" concrete coverage)
- Can be used with single row of rebar or double row of rebar
- Below grade or water present either side of wall/slab joint
- Hydrostatic head less than 25 feet

Benefits:

- Can be used outside of rebar
- Low expansion pressure can be used with limited concrete coverage (1.0")
- Expands approximately 30% by volume
- Attach with glue, OCM BUTYL TAPE (75BRTAPE) or P-201 (may need nails or screws with P-201)
- Can be used in containment dikes

MC-2005M

pre-formed rubber strip 20mm X 05mm
(0.79" X 0.20" - 3/4" X 3/16")

Minimum Use Conditions:

- Wall/slab thickness greater than 9" and less than 24" (Minimum 4" concrete coverage) - 6.5 ft wall height (check with representative for variations)
- Between double row of rebar
- Below grade or water present either side of wall/slab joint
- Hydrostatic head less than 50 feet

Benefits:

- Withstand intermittent exposure to rain or water
- Expands up to 2 times by volume
- Attach with glue, OCM BUTYL TAPE (75BRTAPE) or P-201 (may need nails or screws with P-201)
- Can be used on rough concrete with P-201

KM-3030M

pre-formed rubber strip 30mm X 30mm
(1.18" X 1.18" - 1-3/16" X 1-3/16")
(large wall/slab structures - dams etc.)

Minimum Use Conditions:

- Wall/slab thickness greater than 30.0"
- Between double row of rebar
- Below grade or water present either side of wall/slab joint

Benefits:

- Withstand high hydrostatic head
- Withstand intermittent exposure to rain or water
- Expands up to 3 times by volume
- Embedded wire mesh promotes vertical expansion vs longitudinal
- Attach with OCM BUTYL TAPE (75BRTAPE), nails, glue, P-201 (may need nails or screws with P-201)
- Can be used on rough concrete with P-201

PIPING PENETRATIONS

MC-2010MN

Minimum use conditions

- Wall/slab thickness greater than 9.0"
- Pipe diameter greater than 24"
- Will withstand high hydrostatic head
- Clean pipe and attach MC-2010MN with OCM BUTYL TAPE (75BRTAPE)

MC-2005T

Minimum use conditions

- Wall/slab thickness greater than 9.0"
- Pipe diameter greater than 4.0" and less than 24.0"
- Will withstand high hydrostatic head
- Peel and stick (OCM BUTYL TAPE (75BRTAPE) to pipe if necessary)

KBA-1510FP

Minimum use conditions

- Wall/slab thickness greater than 4.0"
- Pipe diameter greater than 4.0" and less than 24"
- Will withstand high hydrostatic head
- Attach with OCM BUTYL TAPE (75BRTAPE)
- Hydrostatic head less than 25 feet

P-201 (Caulk Type)

Minimum use conditions

- Wall/slab thickness greater than 6.0"
- Concrete pipe diameter greater than 2.0" and less than 24" (check with representative for exceptions)
- Typical bead size - 3/8" X 1/2"
- Will withstand high hydrostatic head
- Must be cured before placing concrete
- Curing time dependent upon temperature and humidity

EXPANSION JOINTS

KM-3030M

Minimum use conditions

- Wall/slab thickness greater than 12.0" (With 1/2" expansion board)
- Between double row of rebar
- Below grade or water present either side of wall/slab joint

Benefits

- Withstand high hydrostatic head
- Withstand intermittent exposure to rain or water prior to placing concrete
- Expands up to 3 times by volume
- Embedded wire mesh promotes vertical expansion vs longitudinal
- Attach with OCM BUTYL TAPE (75BRTAPE), nails, glue, P-201 (may need nails or screws with P-201)
- Can be used on rough concrete with P-201

PRE-CAST STRUCTURES

KBA-1510 FP

Minimum use conditions

- Gap width must be less than 10 mm (KBA-1510 FP must be compressed in all areas)
- Protect from premature exposure to water prior to placing second segment

P-201 (Caulk Type)

Minimum use conditions

- Bead size of P-201 must exceed gap width
- Second segment can be placed before P-201 is cured or after curing
- Bead must be compressed in all areas

SHEET PILE INTERLOCKS

A-30 / P-201

(A-30 - 2 component liquid)

Seal steel sheet piles interlocks prior to driving

- Apply A-30
- AZ sheet piles can use P-201
- Seal PVC sheet pile interlocks prior to driving
- Apply A-30
- Apply P-201

75BRTAPE

75BRTAPE is a general purpose Butyl Tape that is supplied in 50ft rolls and is 3/4" wide by 1/8" thick. It is suitable for use in adhering ADEKA ULTRASEAL® Waterstop Products to concrete.

CAUTION!

The above is a brief description of typical use and general conditions. Consult your local representative and/or refer to www.adeka.com and www.ocm-inc.com for the latest and most detailed information.

Thank you for choosing

Adeka Ultraseal® Waterstop

Unequaled in quality, function and performance

Call 866-457-5710 for additional information.

MC-2010MN

Pre-formed rubber strip with stainless steel net. Size, 20mm X 10mm, (Approximately 3/4" X 3/8"). Used to replace conventional PVC waterstops in construction joints and control joints. Packaged in 82 feet per case.

NSF Certified for potable water

MC-2005T

Pre-formed rubber strip with adhesive back. Size, 20mm X 5mm, (Approximately 3/4" X 1/4"). Typically used in piping penetrations, H-pile waterstops, and concrete joint applications. Packaged in 330 feet per case.

KBA 1510FP

Pre-formed rubber strip. Size, 15mm X 10mm, (Approximately 5/8" X 3/8"). Used in non-moving joints or between precast segments. Packaged in 82 feet per case. See data sheet for minimum concrete coverage.

KM-3030M

Pre-formed rubber strip. Size, 30mm X 30mm, (Approximately 1.2" X 1.2") with embedded stainless steel net. Used in 1/2" expansion joints where expected movement does not exceed 1/2". Packaged in 33 feet per case.

KM-String

Pre-formed string. Size, 4mm ~ 6mm, (approximately 1/8" ~ 1/4"). Used to waterproof sheet piles, cracks where running water is present. String size should be 1.2 times the width of the gap. Packaged in 165 feet per case.

P-201

Caulk type in 11 oz. cartridges. Used in many different applications such as piping penetrations, sheet pile interlocks, rough surfaces, crack repair, cold/construction joints etc. One of the most versatile Adeka products. Packaged in 24 cartridges per case

A-30

Two component liquid rubber waterstop for sheet pile interlocks. Packaged in 4 gallon cans.

Ultra C Ring

Hydrophilic snap tie waterstop. Apply when snap-tie, heavy-duty snap tie, or cam lock tie is in place.

75-BRTAPE

Double sided butyl tape for adhering Adeka strip products.

OCM, Inc.

1120 Peterson Road, Grayslake, IL 60030

Toll Free: 866-457-5710 • Phone: 847-462-4258 • FAX: 847-462-4259

www.adeka.com • www.ocm-inc.com • sales@ocm-inc.com