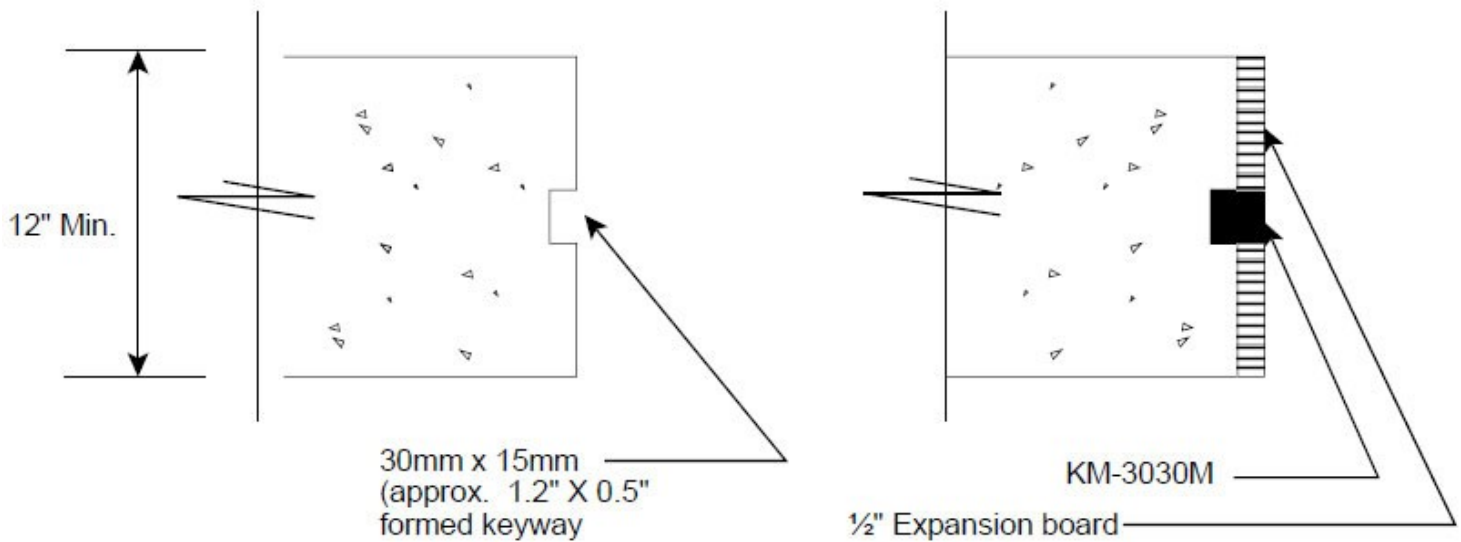
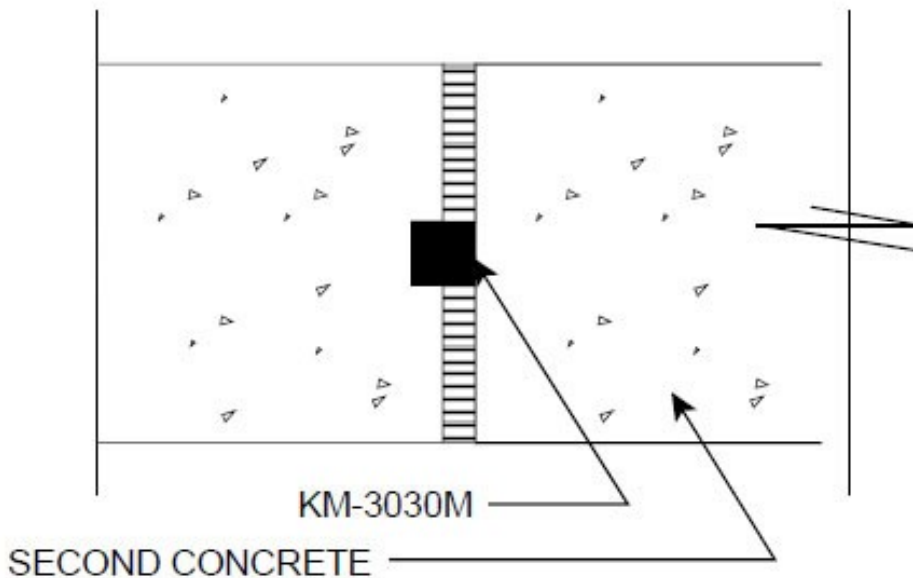


**Recommended ADEKA ULTRASEAL® KM-3030M Installation
For Minimum 12" Wall/Slab Expansion Joint**



FIRST CONCRETE



NOTE: The information contained herein is based on our present state of knowledge and is intended to provide general notes on Adeka Waterstops and their uses. Any recommendations or suggestions, which may be made, are without guarantee, since the conditions of use are beyond our control. Furthermore, nothing contained in this publication shall be construed as a recommendation for any use that may infringe patent rights. Readers are cautioned to satisfy themselves as to the suitability of such goods for the purposes intended prior to use.

**Check with your local representative for complete installation details for this procedure.
For more information call: 866-457-5710**

OCM, Inc.

1120 Peterson Road, Grayslake, IL 60030

Toll Free: 866-457-5710 • Phone: 847-462-4258 • FAX: 847-462-4259

www.adeka.com • www.ocm-inc.com • sales@ocm-inc.com

Ideal ADEKA ULTRASEAL® KM-3030M Installation Instructions

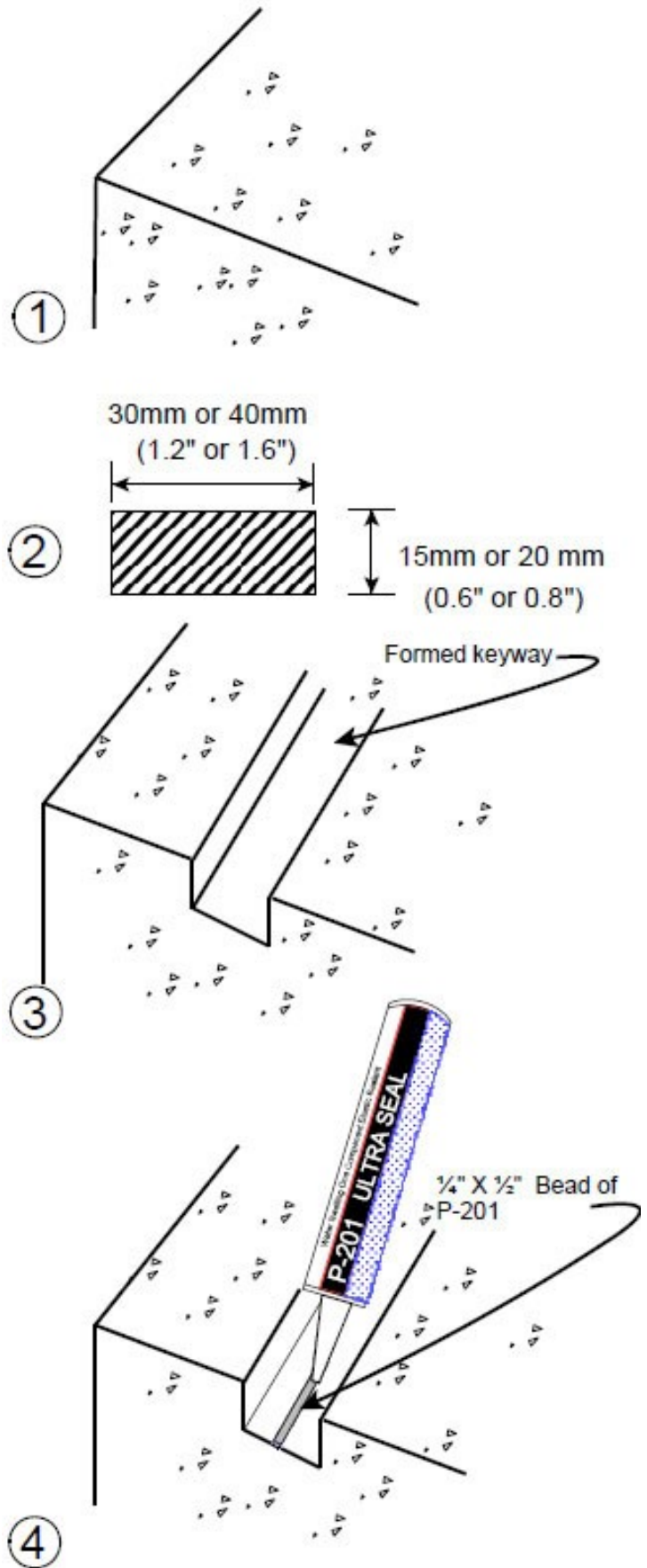
STORAGE: Store in cool dry place. Protect from any exposure to moisture.

Place Concrete

1. Level Concrete
2. Prepare form for keyway - note dimensions
3. Form Keyway - Note dimensions for KM-3030M.
- 4.* Apply ¼" X ½" bead of P-201 (approximate). One 320 ml cartridge will cover approximately 12 feet at this bead size.

** Step 4 is the ideal installation procedure. P-201 will help hold the KM- 3030M in place and prevent concrete fines from penetrating between the KM-3030M and the concrete. If the KM-3030M fits tightly and the concrete is smooth, P-201 may not be necessary in this area.*

IMPORTANT: DO NOT ALLOW ANY GAPS BETWEEN THE CONCRETE AND THE KM-3030M. USE FLAT HEAD SCREWS TO HOLD KM-3030M FIRMLY IN PLACE WHERE EVER NECESSARY.



OCM, Inc.

1120 Peterson Road, Grayslake, IL 60030

Toll Free: 866-457-5710 • Phone: 847-462-4258

FAX: 847-462-4259

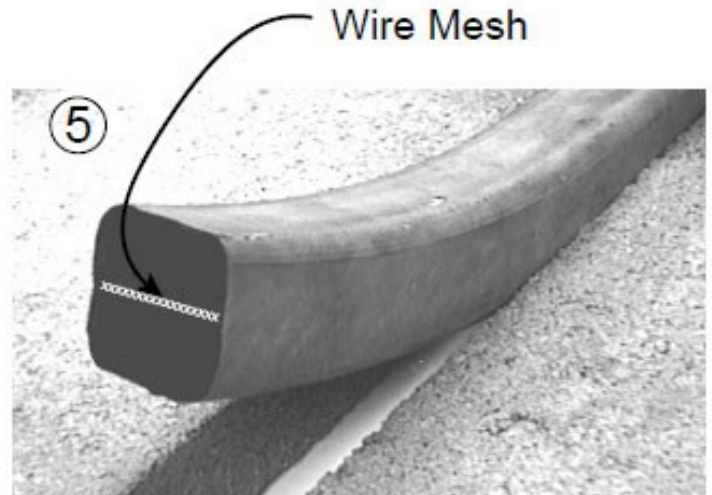
www.adeka.com • www.ocm-inc.com • sales@ocm-inc.com

Ideal ADEKA ULTRASEAL® KM-3030M Installation Instructions Continued

5. Note position of stainless steel mesh.

IMPORTANT - MESH MUST BE PARALLEL TO THE FACE OF THE CONCRETE AS SHOWN.

Wire mesh shown for illustration purposes only. THE MESH MAY NOT BE VISIBLE in the actual product. Bend the material to determine the position of the wire mesh. When the wire mesh is parallel, it will bend easily. If it is in the wrong position, bending will be more difficult. Place the product so the wire mesh is in the position shown.



6. Butt Joints: Apply P-201 around the perimeter of the KM-3030M.

IMPORTANT - DO NOT ALLOW ANY GAPS BETWEEN SEGMENTS OF KM-3030M. FOR ADDED SAFETY, APPLY SMALL BEAD OF P-201 ON TOP OF BUTT JOINT.

7. Apply small bead of P-201 at the intersection of the KM-3030M and the concrete. Apply to both sides of the concrete.

IMPORTANT - APPLYING P-201 IN THIS AREA IS ESSENTIAL. P-201 MUST COMPLETELY COVER THE INTERSECTION OF KM-3030M AND THE CONCRETE (see illustration below).

