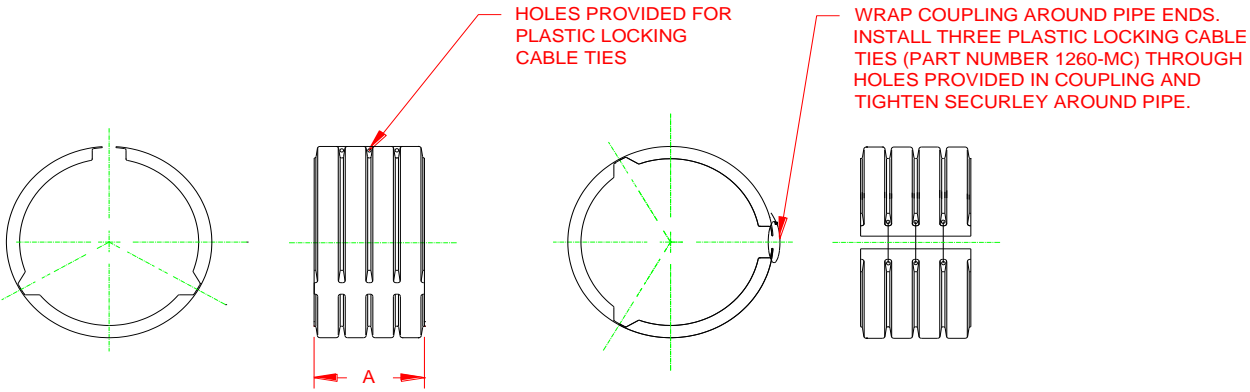



HP STORM DUAL WALL SPLIT COUPLER 12" - 60" DIAMETER

PART #	PIPE SIZE	A
1265AC	12 in (300 mm)	7.7 in (195 mm)
1565AC	15 in (375 mm)	10.4 in (263 mm)
1865AC	18 in (450 mm)	10.7 in (272 mm)
2465AC	24 in (600 mm)	12.6 in (320 mm)
3065AA	30 in (750 mm)	16.5 in (419 mm)
3661AA	36 in (900 mm)	21.0 in (533 mm)
4265AA**	42 in (1050 mm)	20.8 in (527 mm)
4865AA**	48 in (1200 mm)	21.0 in (533 mm)
6065AA**	60 in (1500 mm)	24.0 in (610 mm)



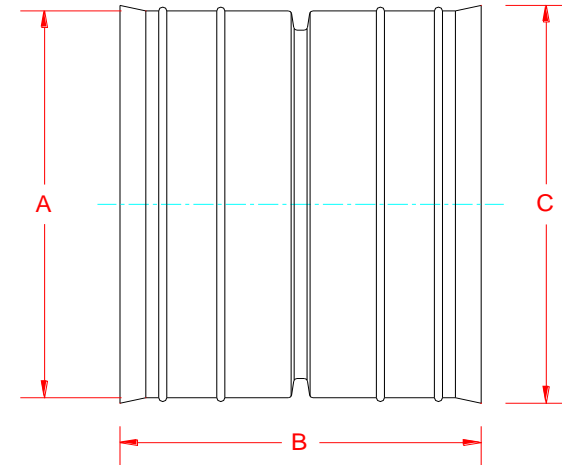
NOTE: ALL FITTINGS DIMENSIONS ARE FOR REFERENCE ONLY

© 2021 Advanced Drainage Systems, Inc.

 Advanced Drainage Systems, Inc.	DRAWING #:	HP 8000
	DRAWN BY:	TJR 10/21/2009
	APPROVED BY:	
	REVISIONS:	TJR 4/19/2016

HP STORM DUAL WALL BELL\BELL COUPLERS
12" - 24" DIAMETER (POLYPROPYLENE)

PART #	PIPE SIZE	A	B	C	JOINT
1215AAPP	12 in (300 mm)	14.6 in (371 mm)	14.0 in (356 mm)	15.4 in (391 mm)	WT
1515AAPP	15 in (375 mm)	17.8 in (451 mm)	16.0 in (406 mm)	18.6 in (472 mm)	WT
1815AAPP	18 in (450 mm)	21.4 in (544 mm)	18.0 in (457 mm)	22.4 in (569 mm)	WT
2415AAPP	24 in (600 mm)	28.2 in (716 mm)	14.8 in (376 mm)	29.3 in (743 mm)	WT



* REQUIRES GASKET TO PROVIDE
 SPECIFIED JOINT PERFORMANCE

NOTE: ALL FITTINGS DIMENSIONS ARE FOR REFERENCE ONLY

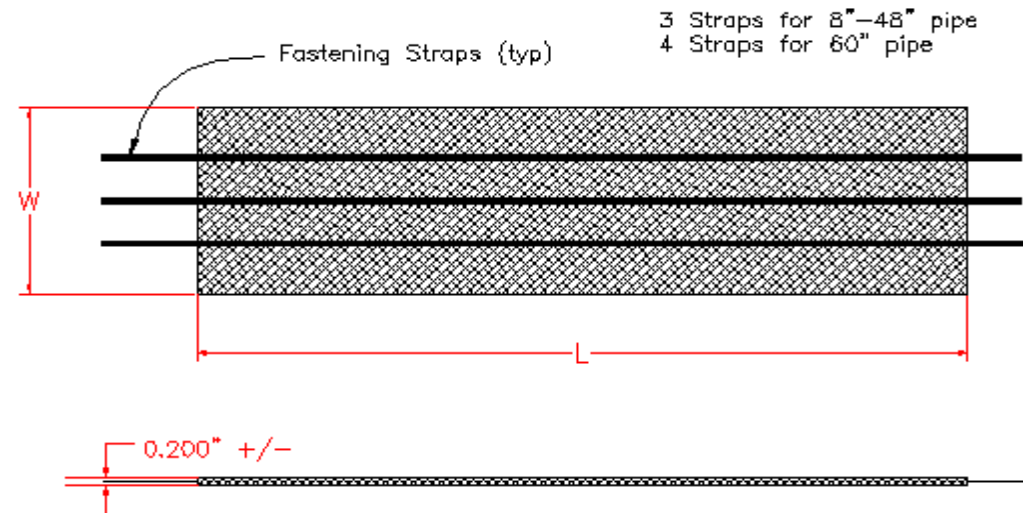
© 2021 Advanced Drainage Systems, Inc.



DRAWING #:	HP 8100
DRAWN BY:	TJR 10/21/2009
APPROVED BY:	
REVISIONS:	TJR 5/13/2014

HP STORM DUAL WALL MARMAC COUPLERS 12" - 60" DIAMETERS

PART #	PIPE SIZE	L	W
1267RC	12 in (300 mm)	52.0 in (1321 mm)	7.0 in (178 mm)
1567RC	15 in (375 mm)	62.0 in (1575 mm)	10.0 in (254 mm)
1867RC	18 in (450 mm)	75.0 in (1905 mm)	10.0 in (254 mm)
2467RC	24 in (600 mm)	94.0 in (2388 mm)	12.0 in (305 mm)
3067RC	30 in (750 mm)	125.0 in (3175 mm)	15.0 in (381 mm)
3667RC	36 in (900 mm)	141.0 in (3581 mm)	18.0 in (457 mm)
4267RC	42 in (1050 mm)	161.0 in (4089 mm)	20.0 in (508 mm)
4867RC	48 in (1200 mm)	183.0 in (4648 mm)	20.0 in (508 mm)
6067RC	60 in (1500 mm)	222.0 in (5639 mm)	28.0 in (711 mm)



NOTE: ALL DIMENSIONS ARE NOMINAL

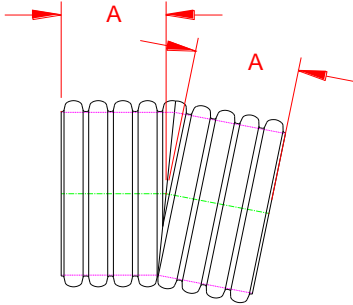
© 2021 Advanced Drainage Systems, Inc.



DRAWING #:	HP 8200	
DRAWN BY:	TJR	10/21/2009
APPROVED BY:		
REVISIONS:	TJR	5/13/2014

**HP STORM DUAL WALL FABRICATED 11.25° BENDS
12" - 60" DIAMETER (PLAIN END)**

PART #	PIPE SIZE	A	JOINT
1291ANP	12 in (300 mm)	7.9 in (201 mm)	ST
1591ANP	15 in (375 mm)	11.0 in (279 mm)	ST
1891ANP	18 in (450 mm)	10.9 in (277 mm)	ST
2491ANP	24 in (600 mm)	14.2 in (361 mm)	ST
3091ANP	30 in (750 mm)	17.9 in (455 mm)	ST
3691ANP	36 in (900 mm)	17.1 in (434 mm)	ST
4291ANP	42 in (1050 mm)	17.6 in (447 mm)	ST
4891ANP	48 in (1200 mm)	18.1 in (460 mm)	ST
6091ANP	60 in (1500 mm)	21.1 in (536 mm)	ST



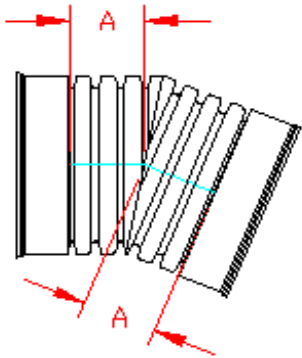
NOTE: ALL FITTINGS DIMENSIONS ARE FOR REFERENCE ONLY

© 2021 Advanced Drainage Systems, Inc.

 Advanced Drainage Systems, Inc.	DRAWING #:	HP 9000
	DRAWN BY:	TJR 10/13/2009
	APPROVED BY:	
	REVISIONS:	TJR 5/13/2014

**HP STORM DUAL WALL FABRICATED 11.25° BENDS
12" - 24" DIAMETER (BELL\BELL)**

PART #	PIPE SIZE	A	JOINT
1291AN65BP	12 in (300 mm)	4.3 in (109 mm)	WT
1591AN65BP	15 in (375 mm)	6.0 in (152 mm)	WT
1891AN65BP	18 in (450 mm)	5.8 in (147 mm)	WT
2491AN65BP	24 in (600 mm)	7.9 in (201 mm)	WT



WT (INCLUDES 2 GASKETS)

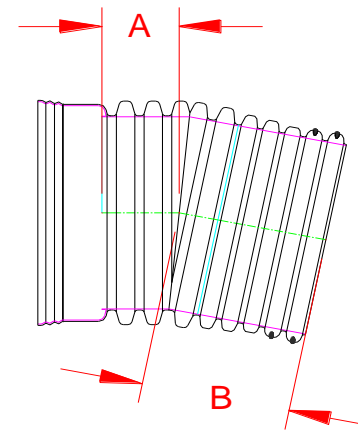
NOTE: ALL FITTINGS DIMENSIONS ARE FOR REFERENCE ONLY

© 2021 Advanced Drainage Systems, Inc.

	DRAWING #:	HP 9100
	DRAWN BY:	TJR 10/27/2009
	APPROVED BY:	
	REVISIONS:	TJR 5/13/2014

**HP STORM DUAL WALL FABRICATED 11.25° BENDS
30" - 60" DIAMETER (IB BELL\B SPIGOT)**

PART #	PIPE SIZE	A	B	JOINT
3091AN65BP	30 in (750 mm)	11.1 in (282 mm)	21.5 in (546 mm)	WT
3691AN65BP	36 in (900 mm)	21.1 in (535 mm)	21.9 in (556 mm)	WT
4291AN65BP	42 in (1050 mm)	13.1 in (331 mm)	22.0 in (559 mm)	WT
4891AN65BP	48 in (1200 mm)	12.9 in (327 mm)	23.5 in (597 mm)	WT
6091AN65BP	60 in (1500 mm)	15.1 in (384 mm)	29.3 in (743 mm)	WT



WT (INCLUDES 2 GASKETS)

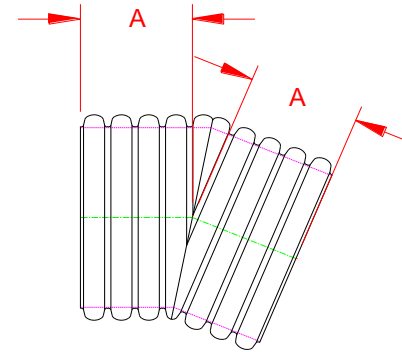
NOTE: ALL FITTINGS DIMENSIONS ARE FOR REFERENCE ONLY

© 2021 Advanced Drainage Systems, Inc.

 Advanced Drainage Systems, Inc.	DRAWING #:	HP 9150
	DRAWN BY:	TJR 11/17/2009
	APPROVED BY:	
	REVISIONS:	TJR 5/13/2014

HP STORM DUAL WALL FABRICATED 22.5° BENDS
12" - 60" DIAMETER (PLAIN END)

PART #	PIPE SIZE	A	JOINT
1292ANP	12 in (300 mm)	9.6 in (244 mm)	ST
1592ANP	15 in (375 mm)	13.1 in (333 mm)	ST
1892ANP	18 in (450 mm)	14.3 in (363 mm)	ST
2492ANP	24 in (600 mm)	18.9 in (480 mm)	ST
3092ANP	30 in (750 mm)	17.9 in (455 mm)	ST
3692ANP	36 in (900 mm)	21.5 in (546 mm)	ST
4292ANP	42 in (1050 mm)	24.9 in (632 mm)	ST
4892ANP	48 in (1200 mm)	23.8 in (605 mm)	ST
6092ANP	60 in (1500 mm)	33.2 in (843 mm)	ST



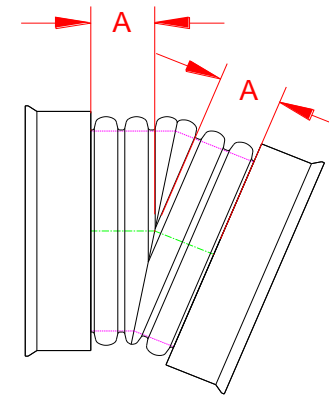
NOTE: ALL FITTINGS DIMENSIONS ARE FOR REFERENCE ONLY

© 2021 Advanced Drainage Systems, Inc.

	DRAWING #:	HP 9200
	DRAWN BY:	TJR 10/13/2009
	APPROVED BY:	
	REVISIONS:	TJR 5/13/2014

**HP STORM DUAL WALL FABRICATED 22.5° BENDS
12" - 24" DIAMETER (BELL\BELL)**

PART #	PIPE SIZE	A	JOINT
1292AN65BP	12 in (300 mm)	5.8 in (147 mm)	WT
1592AN65BP	15 in (375 mm)	5.4 in (137 mm)	WT
1892AN65BP	18 in (450 mm)	6.9 in (175 mm)	WT
2492AN65BP	24 in (600 mm)	9.5 in (241 mm)	WT



WT (INCLUDES 2 GASKETS)

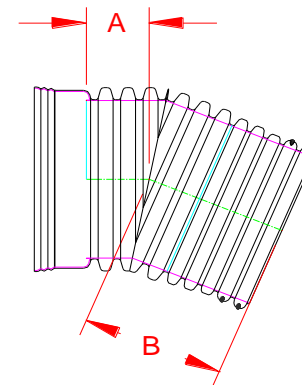
NOTE: ALL FITTINGS DIMENSIONS ARE FOR REFERENCE ONLY

© 2021 Advanced Drainage Systems, Inc.

 Advanced Drainage Systems, Inc.	DRAWING #:	HP 9300
	DRAWN BY:	TJR 10/13/2009
	APPROVED BY:	
	REVISIONS:	TJR 5/13/2014

**HP STORM DUAL WALL FABRICATED 22.5° BENDS
30" - 60" DIAMETER (IB BELL\IB SPIGOT)**

PART #	PIPE SIZE	A	B	JOINT
3092AN65BP	30 in (750 mm)	11.1 in (282 mm)	25.5 in (647 mm)	WT
3692AN65BP	36 in (900 mm)	11.3 in (286 mm)	21.1 in (535 mm)	WT
4292AN65BP	42 in (1050 mm)	15.2 in (387 mm)	24.2 in (613 mm)	WT
4892AN65BP	48 in (1200 mm)	13.3 in (339 mm)	24.0 in (609 mm)	WT
6092AN65BP	60 in (1500 mm)	15.2 in (386 mm)	29.4 in (746 mm)	WT



WT (INCLUDES 2 GASKETS)

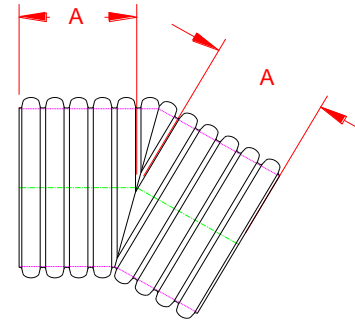
NOTE: ALL FITTINGS DIMENSIONS ARE FOR REFERENCE ONLY

© 2021 Advanced Drainage Systems, Inc.

 Advanced Drainage Systems, Inc.	DRAWING #:	HP 9350
	DRAWN BY:	TJR 11/17/2009
	APPROVED BY:	
	REVISIONS:	TJR 5/13/2014


**HP STORM DUAL WALL FABRICATED 30° BENDS
12" - 60" DIAMETER (PLAIN END)**

PART #	PIPE SIZE	A	JOINT
1295ANP	12 in (300 mm)	9.7 in (246 mm)	ST
1595ANP	15 in (375 mm)	12.4 in (315 mm)	ST
1895ANP	18 in (450 mm)	12.4 in (315 mm)	ST
2495ANP	24 in (600 mm)	15.9 in (404 mm)	ST
3095ANP	30 in (750 mm)	20.6 in (523 mm)	ST
3695ANP	36 in (900 mm)	25.9 in (658 mm)	ST
4295ANP	42 in (1050 mm)	22.3 in (566 mm)	ST
4895ANP	48 in (1200 mm)	22.7 in (577 mm)	ST
6095ANP	60 in (1500 mm)	26.0 in (660 mm)	ST



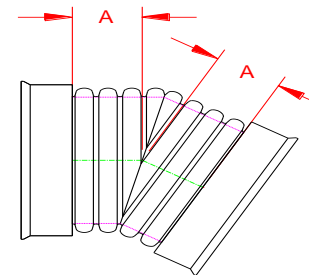
NOTE: ALL FITTINGS DIMENSIONS ARE FOR REFERENCE ONLY

© 2021 Advanced Drainage Systems, Inc.

 Advanced Drainage Systems, Inc.	DRAWING #:	HP 9400
	DRAWN BY:	TJR 10/13/2009
	APPROVED BY:	
	REVISIONS:	TJR 5/13/2014

HP STORM DUAL WALL FABRICATED 30° BENDS
12" - 24" DIAMETER (BELL\BELL)

PART #	PIPE SIZE	A	JOINT
1295AN65BP	12 in (300 mm)	5.8 in (147 mm)	WT
1595AN65BP	15 in (375 mm)	7.8 in (198 mm)	WT
1895AN65BP	18 in (450 mm)	6.7 in (170 mm)	WT
2495AN65BP	24 in (600 mm)	9.5 in (241 mm)	WT



WT (INCLUDES 2 GASKETS)

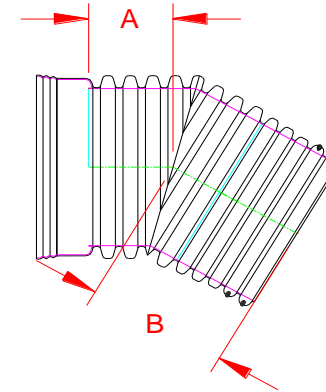
NOTE: ALL FITTINGS DIMENSIONS ARE FOR REFERENCE ONLY

© 2021 Advanced Drainage Systems, Inc.

 Advanced Drainage Systems, Inc.	DRAWING #:	HP 9500
	DRAWN BY:	TJR 10/13/2009
	APPROVED BY:	
	REVISIONS:	TJR 5/13/2014

**HP STORM DUAL WALL FABRICATED 30° BENDS
30" - 60" DIAMETER (IB BELL\IB SPIGOT)**

PART #	PIPE SIZE	A	B	JOINT
3095AN65BP	30 in (750 mm)	14.9 in (379 mm)	25.3 in (643 mm)	WT
3695AN65BP	36 in (900 mm)	15.7 in (398 mm)	25.5 in (647 mm)	WT
4295AN65BP	42 in (1050 mm)	17.8 in (451 mm)	21.6 in (547 mm)	WT
4895AN65BP	48 in (1200 mm)	17.5 in (443 mm)	28.1 in (714 mm)	WT
6095AN65BP	60 in (1500 mm)	20.0 in (508 mm)	34.2 in (868 mm)	WT



WT (INCLUDES 2 GASKETS)

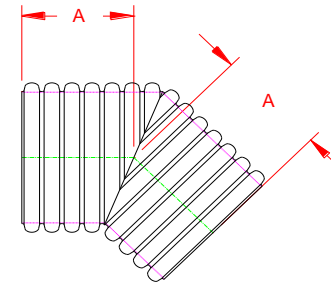
NOTE: ALL FITTINGS DIMENSIONS ARE FOR REFERENCE ONLY

© 2021 Advanced Drainage Systems, Inc.

 Advanced Drainage Systems, Inc.	DRAWING #:	HP 9550
	DRAWN BY:	TJR 11/17/2009
	APPROVED BY:	
	REVISIONS:	TJR 5/13/2014

HP STORM DUAL WALL FABRICATED 45° BENDS
12" - 60" DIAMETER (PLAIN END)

PART #	PIPE SIZE	A	JOINT
1297ANP	12 in (300 mm)	11.5 in (292 mm)	ST
1597ANP	15 in (375 mm)	13.0 in (330 mm)	ST
1897ANP	18 in (450 mm)	17.4 in (442 mm)	ST
2497ANP	24 in (600 mm)	22.1 in (561 mm)	ST
3097ANP	30 in (750 mm)	25.8 in (655 mm)	ST
3697ANP	36 in (900 mm)	29.3 in (744 mm)	ST
4297ANP	42 in (1050 mm)	31.1 in (790 mm)	ST
4897ANP	48 in (1200 mm)	30.2 in (767 mm)	ST
6097ANP	60 in (1500 mm)	42.0 in (1067 mm)	ST



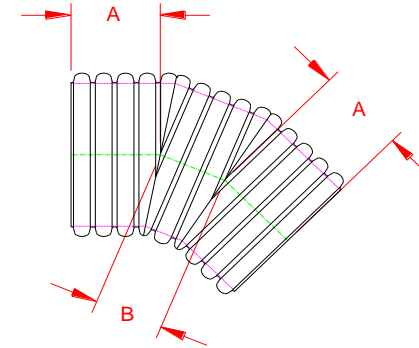
NOTE: ALL FITTINGS DIMENSIONS ARE FOR REFERENCE ONLY

© 2021 Advanced Drainage Systems, Inc.

 Advanced Drainage Systems, Inc.	DRAWING #:	HP 9575
	DRAWN BY:	TJR 2/5/2010
	APPROVED BY:	
	REVISIONS:	TJR 5/13/2014

HP STORM DUAL WALL FABRICATED SWEEPING 45° BENDS
12" - 60" DIAMETER (PLAIN END)

PART #	PIPE SIZE	A	B	JOINT
1294ANP	12 in (300 mm)	9.6 in (244 mm)	7.7 in (196 mm)	ST
1594ANP	15 in (375 mm)	13.1 in (333 mm)	7.9 in (200 mm)	ST
1894ANP	18 in (450 mm)	14.3 in (363 mm)	10.1 in (257 mm)	ST
2494ANP	24 in (600 mm)	18.9 in (480 mm)	12.4 in (314 mm)	ST
3094ANP	30 in (750 mm)	17.9 in (455 mm)	15.9 in (404 mm)	ST
3694ANP	36 in (900 mm)	21.5 in (546 mm)	16.8 in (426 mm)	ST
4294ANP	42 in (1050 mm)	24.9 in (632 mm)	19.0 in (482 mm)	ST
4894ANP	48 in (1200 mm)	24.4 in (620 mm)	22.7 in (575 mm)	ST
6094ANP	60 in (1500 mm)	33.2 in (843 mm)	24.4 in (621 mm)	ST



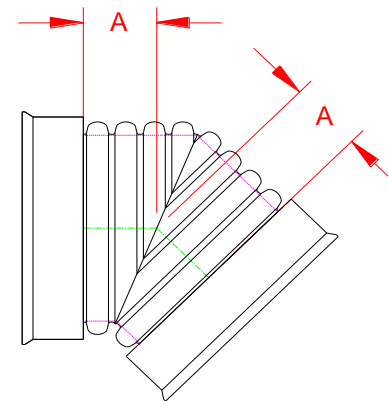
NOTE: ALL FITTINGS DIMENSIONS ARE FOR REFERENCE ONLY

© 2021 Advanced Drainage Systems, Inc.

 Advanced Drainage Systems, Inc.	DRAWING #:	HP 9600
	DRAWN BY:	TJR 10/13/2009
	APPROVED BY:	
	REVISIONS:	TJR 5/13/2014

HP STORM DUAL WALL FABRICATED 45° BENDS
12" - 24" DIAMETER (BELL\BELL)

PART #	PIPE SIZE	A	JOINT
1297AN65BP	12 in (300 mm)	5.8 in (147 mm)	WT
1597AN65BP	15 in (375 mm)	7.8 in (198 mm)	WT
1897AN65BP	18 in (450 mm)	6.7 in (170 mm)	WT
2497AN65BP	24 in (600 mm)	9.5 in (241 mm)	WT



WT (INCLUDES 2 GASKETS)

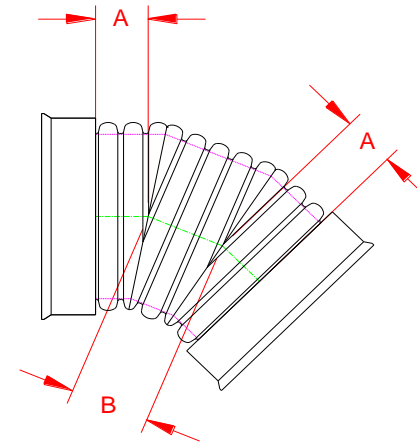
NOTE: ALL FITTINGS DIMENSIONS ARE FOR REFERENCE ONLY

© 2021 Advanced Drainage Systems, Inc.

 Advanced Drainage Systems, Inc.	DRAWING #:	HP 9650
	DRAWN BY:	TJR 1/5/2010
	APPROVED BY:	
	REVISIONS:	TJR 5/13/2014

**HP STORM DUAL WALL FABRICATED SWEEPING 45° BENDS
12" - 24" DIAMETER (BELL\BELL)**

PART #	PIPE SIZE	A	B	JOINT
1294AN65BP	12 in (300 mm)	5.7 in (144 mm)	7.7 in (196 mm)	WT
1594AN65BP	15 in (375 mm)	5.2 in (133 mm)	7.9 in (200 mm)	WT
1894AN65BP	18 in (450 mm)	6.4 in (162 mm)	10.1 in (257 mm)	WT
2494AN65BP	24 in (600 mm)	9.4 in (238 mm)	12.4 in (314 mm)	WT



WT (INCLUDES 2 GASKETS)

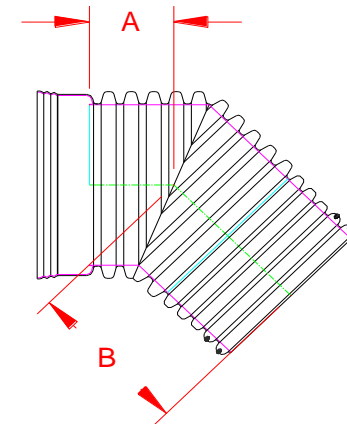
NOTE: ALL FITTINGS DIMENSIONS ARE FOR REFERENCE ONLY

© 2021 Advanced Drainage Systems, Inc.

 Advanced Drainage Systems, Inc.	DRAWING #:	HP 9700
	DRAWN BY:	TJR 10/13/2009
	APPROVED BY:	
	REVISIONS:	TJR 5/13/2014

**HP STORM DUAL WALL FABRICATED 45° BENDS
30" - 60" DIAMETER (IB BELL\IB SPIGOT)**

PART #	PIPE SIZE	A	B	JOINT
3097AN65BP	30 in (750 mm)	14.9 in (379 mm)	29.3 in (743 mm)	WT
3697AN65BP	36 in (900 mm)	13.8 in (351 mm)	23.6 in (600 mm)	WT
4297AN65BP	42 in (1050 mm)	21.4 in (544 mm)	25.2 in (640 mm)	WT
4897AN65BP	48 in (1200 mm)	19.7 in (501 mm)	30.4 in (771 mm)	WT
6097AN65BP	60 in (1500 mm)	24.0 in (610 mm)	38.2 in (970 mm)	WT



WT (INCLUDES 2 GASKETS)

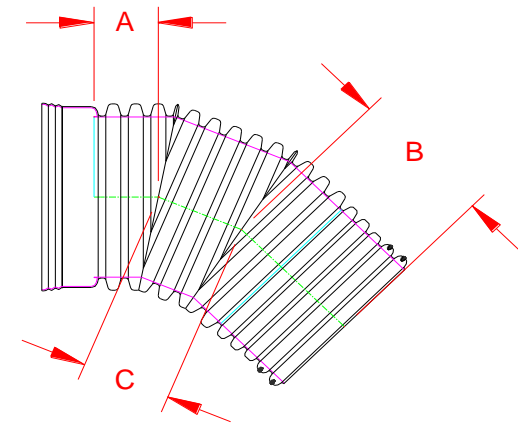
NOTE: ALL FITTINGS DIMENSIONS ARE FOR REFERENCE ONLY

© 2021 Advanced Drainage Systems, Inc.

 Advanced Drainage Systems, Inc.	DRAWING #:	HP 9725
	DRAWN BY:	TJR 11/17/2009
	APPROVED BY:	
	REVISIONS:	TJR 5/13/2014

**HP STORM DUAL WALL FABRICATED SWEEPING 45° BENDS
30" - 60" DIAMETER (IB BELL\IB SPIGOT)**

PART #	PIPE SIZE	A	B	C	JOINT
3094AN65BP	30 in (750 mm)	11.4 in (288 mm)	25.7 in (653 mm)	15.9 in (404 mm)	WT
3694AN65BP	36 in (900 mm)	11.3 in (286 mm)	21.1 in (535 mm)	16.8 in (426 mm)	WT
4294AN65BP	42 in (1050 mm)	15.2 in (387 mm)	24.2 in (613 mm)	19.0 in (482 mm)	WT
4894AN65BP	48 in (1200 mm)	13.9 in (354 mm)	24.6 in (624 mm)	22.7 in (575 mm)	WT
6094AN65BP	60 in (1500 mm)	15.2 in (386 mm)	29.4 in (746 mm)	24.4 in (621 mm)	WT



WT (INCLUDES 2 GASKETS)

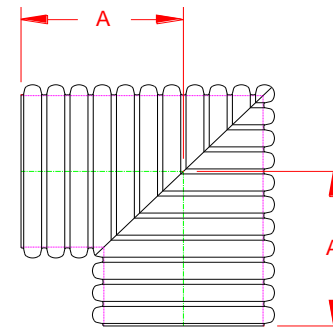
NOTE: ALL FITTINGS DIMENSIONS ARE FOR REFERENCE ONLY

© 2021 Advanced Drainage Systems, Inc.

 Advanced Drainage Systems, Inc.	DRAWING #:	HP 9750
	DRAWN BY:	TJR 11/17/2009
	APPROVED BY:	
	REVISIONS:	TJR 5/13/2014

HP STORM DUAL WALL FABRICATED 90° BENDS
12" - 60" DIAMETER (PLAIN END)

PART #	PIPE SIZE	A	JOINT
1298ANP	12 in (300 mm)	14.7 in (372 mm)	ST
1598ANP	15 in (375 mm)	19.5 in (495 mm)	ST
1898ANP	18 in (450 mm)	22.6 in (575 mm)	ST
2498ANP	24 in (600 mm)	24.1 in (611 mm)	ST
3098ANP	30 in (750 mm)	34.3 in (872 mm)	ST
3698ANP	36 in (900 mm)	36.8 in (933 mm)	ST
4298ANP	42 in (1050 mm)	41.9 in (1064 mm)	ST
4898ANP	48 in (1200 mm)	45.1 in (1146 mm)	ST
6098ANP	60 in (1500 mm)	52.6 in (1335 mm)	ST



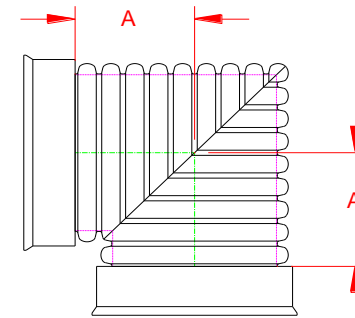
NOTE: ALL FITTINGS DIMENSIONS ARE FOR REFERENCE ONLY

© 2021 Advanced Drainage Systems, Inc.

 Advanced Drainage Systems, Inc.	DRAWING #:	HP 9800
	DRAWN BY:	TJR 2/8/2010
	APPROVED BY:	
	REVISIONS:	TJR 5/13/2014

HP STORM DUAL WALL FABRICATED 90° BENDS
12" - 24" DIAMETER (BELL\BELL)


PART #	PIPE SIZE	A	JOINT
1298AN65BP	12 in (300 mm)	10.8 in (274 mm)	WT
1598AN65BP	15 in (375 mm)	11.8 in (300 mm)	WT
1898AN65BP	18 in (450 mm)	14.7 in (373 mm)	WT
2498AN65BP	24 in (600 mm)	17.7 in (450 mm)	WT



WT (INCLUDES 2 GASKETS)

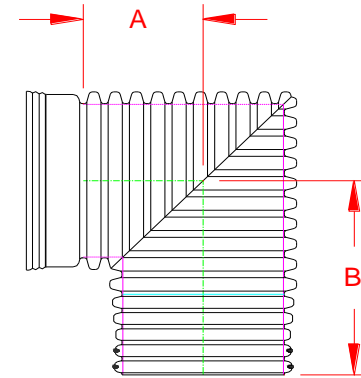
NOTE: ALL FITTINGS DIMENSIONS ARE FOR REFERENCE ONLY

© 2021 Advanced Drainage Systems, Inc.

 Advanced Drainage Systems, Inc.	DRAWING #:	HP 9850
	DRAWN BY:	TJR 2/9/2010
	APPROVED BY:	
	REVISIONS:	TJR 5/13/2014

**HP STORM DUAL WALL FABRICATED 90° BENDS
30" - 60" DIAMETER (IB BELL\IB SPIGOT)**

PART #	PIPE SIZE	A	B	JOINT
3098AN65BP	30 in (750 mm)	23.8 in (605 mm)	38.2 in (969 mm)	WT
3698AN65BP	36 in (900 mm)	26.5 in (673 mm)	36.3 in (923 mm)	WT
4298AN65BP	42 in (1050 mm)	32.2 in (818 mm)	41.1 in (1045 mm)	WT
4898AN65BP	48 in (1200 mm)	34.7 in (880 mm)	45.3 in (1150 mm)	WT
6098AN65BP	60 in (1500 mm)	46.5 in (1180 mm)	54.7 in (1390 mm)	WT



WT (INCLUDES 2 GASKETS)

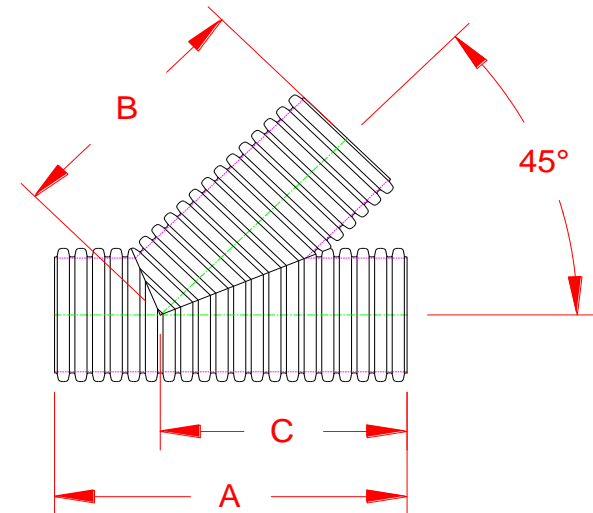
NOTE: ALL FITTINGS DIMENSIONS ARE FOR REFERENCE ONLY

© 2021 Advanced Drainage Systems, Inc.

 <small>Advanced Drainage Systems, Inc.</small>	DRAWING #:	HP 9900
	DRAWN BY:	TJR 2/9/2010
	APPROVED BY:	
	REVISIONS:	TJR 5/13/2014

**HP STORM DUAL WALL FABRICATED 45° WYES
12" - 18" DIAMETER (PLAIN END)**

PART #	PIPE SIZE	A	B	C	JOINT
1284ANP	12 in (300 mm)	39.2 in (996 mm)	27.4 in (696 mm)	27.4 in (696 mm)	ST
1585ANP	15 in (375 mm)	49.8 in (1265 mm)	34.1 in (865 mm)	34.1 in (866 mm)	ST
1886ANP	18 in (450 mm)	52.9 in (1343 mm)	37.0 in (940 mm)	37.0 in (940 mm)	ST



NOTE: ALL FITTINGS DIMENSIONS ARE FOR REFERENCE ONLY

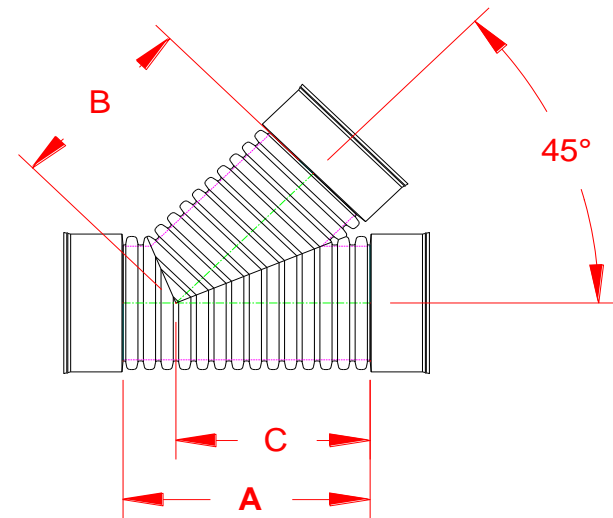
© 2021 Advanced Drainage Systems, Inc.



DRAWING #:	HP 10000	
DRAWN BY:	TJR	10/14/2009
APPROVED BY:		
REVISIONS:	TJR	3/24/2016

**HP STORM DUAL WALL FABRICATED 45° WYES
12" - 18" DIAMETER (BELL\BELL)**

PART #	PIPE SIZE	A	B	C	JOINT
1284AN65BP	12 in (300 mm)	27.4 in (696 mm)	21.6 in (549 mm)	21.6 in (549 mm)	WT
1585AN65BP	15 in (375 mm)	34.1 in (865 mm)	26.2 in (665 mm)	26.2 in (665 mm)	WT
1886AN65BP	18 in (450 mm)	37.0 in (940 mm)	29.1 in (738 mm)	29.1 in (738 mm)	WT



WT (INCLUDES 3 GASKETS)

NOTE: ALL FITTINGS DIMENSIONS ARE FOR REFERENCE ONLY

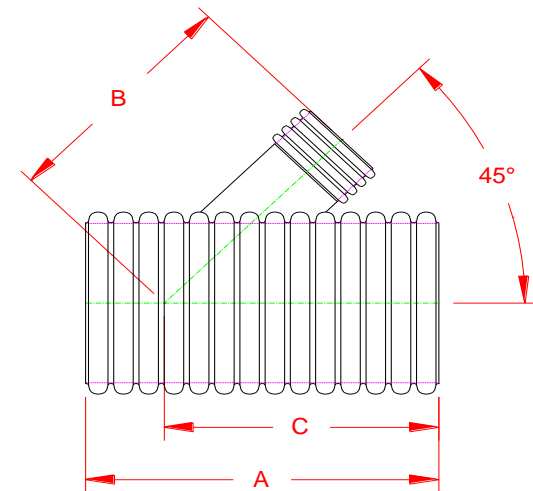
© 2021 Advanced Drainage Systems, Inc.



DRAWING #:	HP 10100	
DRAWN BY:	TJR	10/14/2009
APPROVED BY:		
REVISIONS:	TJR	3/24/2016

HP STORM DUAL WALL FABRICATED REDUCING 45° WYES
15" X 12" - 36" X 18" DIAMETER (PLAIN END)

PART #	PIPE SIZE	A	B	C	JOINT
1584ANP	15 x 12 in (375 x 300 mm)	41.9 in (1065 mm)	27.8 in (706 mm)	29.5 in (749 mm)	ST
1884ANP	18 x 12 in (450 x 300 mm)	42.3 in (1074 mm)	32.0 in (813 mm)	32.0 in (813 mm)	ST
1885ANP	18 x 15 in (450 x 375 mm)	47.5 in (1207 mm)	38.3 in (973 mm)	34.7 in (881 mm)	ST
2484ANP	24 x 12 in (600 x 300 mm)	47.7 in (1212 mm)	36.9 in (937 mm)	37.5 in (953 mm)	ST
3084ANP	30 x 12 in (750 x 300 mm)	51.5 in (1307 mm)	41.3 in (1049 mm)	44.3 in (1125 mm)	ST
3085ANP	30 x 15 in (750 x 375 mm)	59.7 in (1516 mm)	45.4 in (1153 mm)	48.5 in (1232 mm)	ST
3684ANP	36 x 12 in (900 x 300 mm)	63.0 in (1599 mm)	46.8 in (1189 mm)	52.4 in (1331 mm)	ST
3685ANP	36 x 15 in (900 x 375 mm)	68.2 in (1733 mm)	49.8 in (1265 mm)	54.0 in (1372 mm)	ST
3686ANP	36 x 18 in (900 x 450 mm)	73.5 in (1866 mm)	52.2 in (1326 mm)	57.1 in (1450 mm)	ST



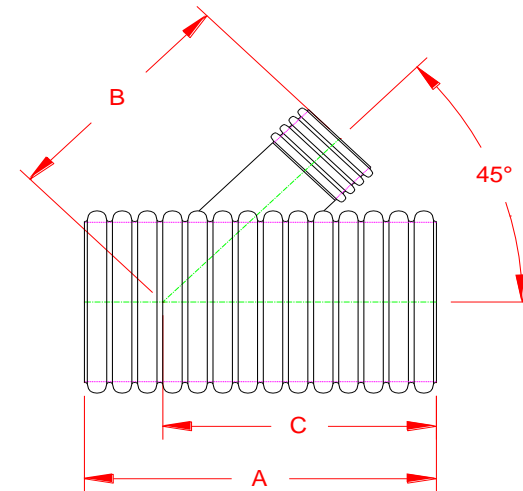
NOTE: ALL FITTINGS DIMENSIONS ARE FOR REFERENCE ONLY

© 2021 Advanced Drainage Systems, Inc.

 Advanced Drainage Systems, Inc.	DRAWING #:	HP 10200
	DRAWN BY:	TJR 10/13/2009
	APPROVED BY:	
	REVISIONS:	TJR 5/13/2014

**HP STORM DUAL WALL FABRICATED REDUCING 45° WYES
42" X 12" - 60" X 24" DIAMETER (PLAIN END)**

PART #	PIPE SIZE	A	B	C	JOINT
4284ANP	42 x 12 in (1050 x 300 mm)	61.7 in (1566 mm)	51.0 in (1295 mm)	55.0 in (1397 mm)	ST
4285ANP	42 x 15 in (1050 x 375 mm)	66.8 in (1697 mm)	54.5 in (1385 mm)	57.9 in (1469 mm)	ST
4286ANP	42 x 18 in (1050 x 450 mm)	71.9 in (1827 mm)	56.9 in (1446 mm)	58.3 in (1481 mm)	ST
4884ANP	48 x 12 in (1200 x 300 mm)	62.8 in (1595 mm)	55.2 in (1402 mm)	58.3 in (1481 mm)	ST
4885ANP	48 x 15 in (1200 x 375 mm)	68.0 in (1728 mm)	58.6 in (1489 mm)	60.9 in (1547 mm)	ST
4886ANP	48 x 18 in (1200 x 450 mm)	73.3 in (1861 mm)	61.0 in (1550 mm)	63.6 in (1615 mm)	ST
4887ANP	48 x 24 in (1200 x 600 mm)	83.7 in (2127 mm)	66.3 in (1684 mm)	68.8 in (1748 mm)	ST
6084ANP	60 x 12 in (1500 x 300 mm)	72.0 in (1829 mm)	64.2 in (1631 mm)	69.2 in (1758 mm)	ST
6085ANP	60 x 15 in (1500 x 375 mm)	78.0 in (1981 mm)	67.5 in (1713 mm)	72.2 in (1834 mm)	ST
6086ANP	60 x 18 in (1500 x 450 mm)	78.0 in (1981 mm)	69.8 in (1772 mm)	72.2 in (1834 mm)	ST
6087ANP	60 x 24 in (1500 x 600 mm)	90.0 in (2286 mm)	75.1 in (1908 mm)	78.2 in (1986 mm)	ST



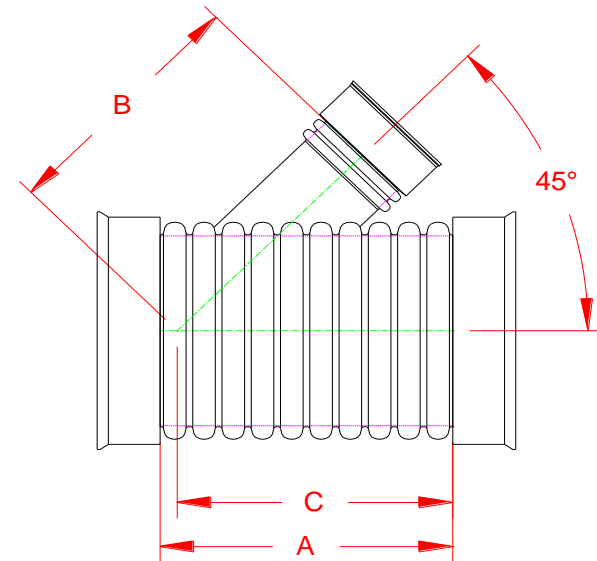
NOTE: ALL FITTINGS DIMENSIONS ARE FOR REFERENCE ONLY

© 2021 Advanced Drainage Systems, Inc.

 Advanced Drainage Systems, Inc.	DRAWING #:	HP 10300
	DRAWN BY:	TJR 10/13/2009
	APPROVED BY:	
	REVISIONS:	TJR 5/13/2014

HP STORM DUAL WALL FABRICATED REDUCING 45° WYES
15" X 12" - 24" X 12" DIAMETER (BELLBELL)


PART #	PIPE SIZE	A	B	C	JOINT
1584AN65BP	15 x 12 in (375 x 300 mm)	36.7 in (932 mm)	27.8 in (706 mm)	26.9 in (683 mm)	WT
1884AN65BP	18 x 12 in (450 x 300 mm)	37.0 in (940 mm)	30.4 in (772 mm)	29.4 in (747 mm)	WT
1885AN65BP	18 x 15 in (450 x 375 mm)	42.3 in (1074 mm)	35.7 in (907 mm)	32.0 in (813 mm)	WT
2484AN65BP	24 x 12 in (600 x 300 mm)	41.3 in (1050 mm)	35.0 in (889 mm)	34.4 in (874 mm)	WT



WT (INCLUDES 3 GASKETS)

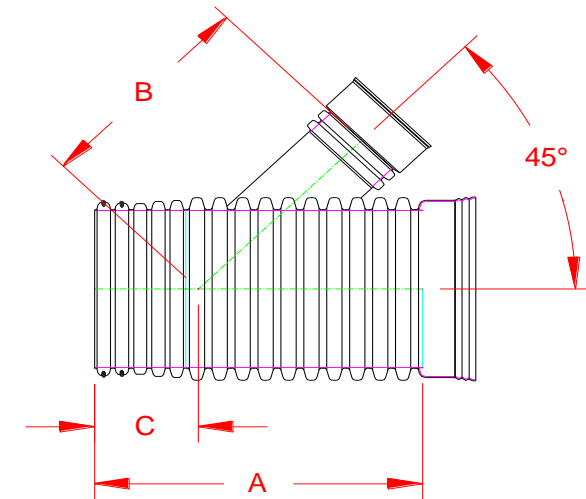
NOTE: ALL FITTINGS DIMENSIONS ARE FOR REFERENCE ONLY

© 2021 Advanced Drainage Systems, Inc.

 Advanced Drainage Systems, Inc.	DRAWING #:	HP 10400
	DRAWN BY:	TJR 10/14/2009
	APPROVED BY:	
	REVISIONS:	TJR 5/13/2014

**HP STORM DUAL WALL FABRICATED REDUCING 45° WYES
30" X 12" - 60" X 24" DIAMETER (IB BELL\IB SPIGOT\BELL)**

PART #	PIPE SIZE	A	B	C	JOINT
3084AN65BP	30 x 12 in (750 x 300 mm)	53.0 in (1346 mm)	39.4 in (1000 mm)	15.2 in (387 mm)	WT
3085AN65BP	30 x 15 in (750 x 375 mm)	57.0 in (1447 mm)	40.1 in (1020 mm)	18.0 in (458 mm)	WT
3684AN65BP	36 x 12 in (900 x 300 mm)	52.3 in (1328 mm)	44.8 in (1138 mm)	15.4 in (391 mm)	WT
3685AN65BP	36 x 15 in (900 x 375 mm)	52.3 in (1328 mm)	45.0 in (1142 mm)	13.8 in (350 mm)	WT
3686AN65BP	36 x 18 in (900 x 450 mm)	62.8 in (1595 mm)	46.9 in (1192 mm)	18.4 in (467 mm)	WT
4284AN65BP	42 x 12 in (1050 x 300 mm)	46.1 in (1170 mm)	49.1 in (1247 mm)	5.9 in (150 mm)	WT
4285AN65BP	42 x 15 in (1050 x 375 mm)	51.2 in (1301 mm)	49.3 in (1251 mm)	8.2 in (208 mm)	WT
4286AN65BP	42 x 18 in (1050 x 450 mm)	51.2 in (1301 mm)	51.6 in (1312 mm)	7.8 in (197 mm)	WT
4884AN65BP	48 x 12 in (1200 x 300 mm)	47.3 in (1201 mm)	53.3 in (1353 mm)	4.7 in (119 mm)	WT
4885AN65BP	48 x 15 in (1200 x 375 mm)	52.5 in (1334 mm)	53.4 in (1356 mm)	7.3 in (185 mm)	WT
4886AN65BP	48 x 18 in (1200 x 450 mm)	57.7 in (1467 mm)	55.7 in (1416 mm)	9.8 in (250 mm)	WT
4887AN65BP	48 x 24 in (1200 x 600 mm)	68.2 in (1732 mm)	60.0 in (1525 mm)	15.1 in (384 mm)	WT
6084AN65BP	60 x 12 in (1500 x 300 mm)	56.2 in (1427 mm)	62.2 in (1580 mm)	5.0 in (126 mm)	WT
6085AN65BP	60 x 15 in (1500 x 375 mm)	56.2 in (1427 mm)	62.2 in (1580 mm)	4.0 in (101 mm)	WT
6086AN65BP	60 x 18 in (1500 x 450 mm)	62.2 in (1579 mm)	64.6 in (1640 mm)	9.4 in (238 mm)	WT
6087AN65BP	60 x 24 in (1500 x 600 mm)	68.2 in (1732 mm)	68.8 in (1749 mm)	10.0 in (253 mm)	WT



WT (INCLUDES 3 GASKETS)

NOTE: ALL FITTINGS DIMENSIONS ARE FOR REFERENCE ONLY

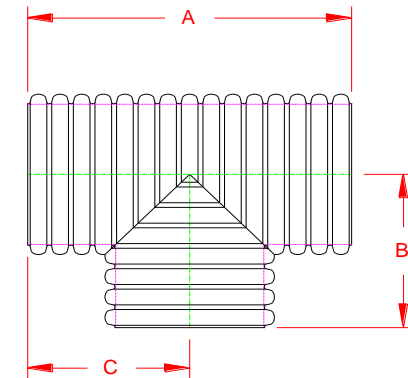
© 2021 Advanced Drainage Systems, Inc.



DRAWING #:	HP 10500	
DRAWN BY:	TJR	11/17/2009
APPROVED BY:		
REVISIONS:	TJR	5/13/2014

HP STORM DUAL WALL FABRICATED TEES
12" - 60" DIAMETER (PLAIN END)

PART #	PIPE SIZE	A	B	C	JOINT
1264ANP	12 in (300 mm)	31.4 in (798 mm)	15.7 in (399 mm)	15.7 in (399 mm)	ST
1565ANP	15 in (375 mm)	41.9 in (1064 mm)	21.0 in (533 mm)	21.0 in (533 mm)	ST
1866ANP	18 in (450 mm)	42.2 in (1072 mm)	21.1 in (536 mm)	21.1 in (536 mm)	ST
2467ANP	24 in (600 mm)	50.9 in (1293 mm)	25.5 in (648 mm)	25.5 in (648 mm)	ST
3068ANP	30 in (750 mm)	63.7 in (1618 mm)	31.8 in (808 mm)	31.8 in (808 mm)	ST
3669ANP	36 in (900 mm)	78.7 in (1999 mm)	39.4 in (1001 mm)	39.4 in (999 mm)	ST
4251ANP	42 in (1050 mm)	71.9 in (1827 mm)	36.0 in (914 mm)	36.0 in (914 mm)	ST
4851ANP	48 in (1200 mm)	78.5 in (1994 mm)	39.3 in (998 mm)	39.3 in (997 mm)	ST
6051ANP	60 in (1500 mm)	90.0 in (2286 mm)	45.0 in (1143 mm)	45.0 in (1143 mm)	ST



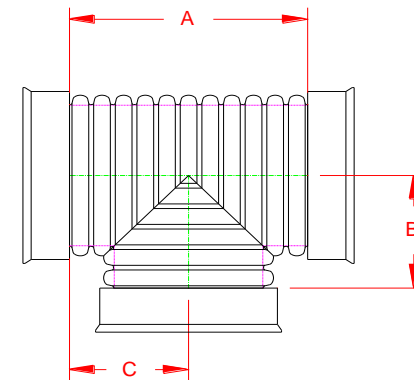
NOTE: ALL FITTINGS DIMENSIONS ARE FOR REFERENCE ONLY

© 2021 Advanced Drainage Systems, Inc.

 Advanced Drainage Systems, Inc.	DRAWING #:	HP 11000
	DRAWN BY:	TJR 10/15/2009
	APPROVED BY:	
	REVISIONS:	TJR 3/24/2016

**HP STORM DUAL WALL FABRICATED TEES
12" - 24" DIAMETER (BELL\BELL)**

PART #	PIPE SIZE	A	B	C	JOINT
1264AN65BP	12 in (300 mm)	21.6 in (548 mm)	10.8 in (274 mm)	10.8 in (274 mm)	WT
1565AN65BP	15 in (375 mm)	26.2 in (665 mm)	13.1 in (333 mm)	13.1 in (333 mm)	WT
1866AN65BP	18 in (450 mm)	26.4 in (671 mm)	13.2 in (335 mm)	13.2 in (336 mm)	WT
2467AN65BP	24 in (600 mm)	38.2 in (969 mm)	19.1 in (485 mm)	19.1 in (485 mm)	WT



WT (INCLUDES 3 GASKETS)

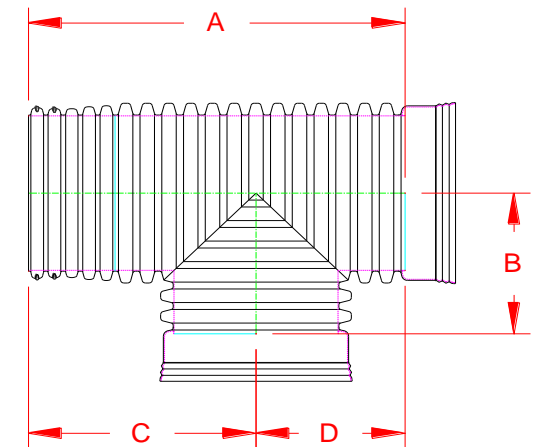
NOTE: ALL FITTINGS DIMENSIONS ARE FOR REFERENCE ONLY

© 2021 Advanced Drainage Systems, Inc.

	DRAWING #:	HP 11100
	DRAWN BY:	TJR 10/15/2009
	APPROVED BY:	
	REVISIONS:	TJR 3/24/2016

**HP STORM DUAL WALL FABRICATED TEES
30" - 60" DIAMETER (IB BELL\IB SPIGOT\IB BELL)**

PART #	PIPE SIZE	A	B	C	D	JOINT
3068AN65BP	30 in (750 mm)	64.9 in (1649 mm)	25.3 in (642 mm)	39.6 in (1007 mm)	25.3 in (642 mm)	WT
3669AN65BP	36 in (900 mm)	68.0 in (1728 mm)	29.1 in (739 mm)	38.9 in (989 mm)	29.1 in (739 mm)	WT
4251AN65BP	42 in (1050 mm)	76.9 in (1954 mm)	36.6 in (929 mm)	40.4 in (1025 mm)	36.6 in (929 mm)	WT
4851AN65BP	48 in (1200 mm)	78.7 in (1998 mm)	34.0 in (864 mm)	44.7 in (1134 mm)	34.0 in (864 mm)	WT
6051AN65BP	60 in (1500 mm)	92.2 in (2341 mm)	39.0 in (991 mm)	53.2 in (1351 mm)	39.0 in (991 mm)	WT



WT (INCLUDES 2 GASKETS)

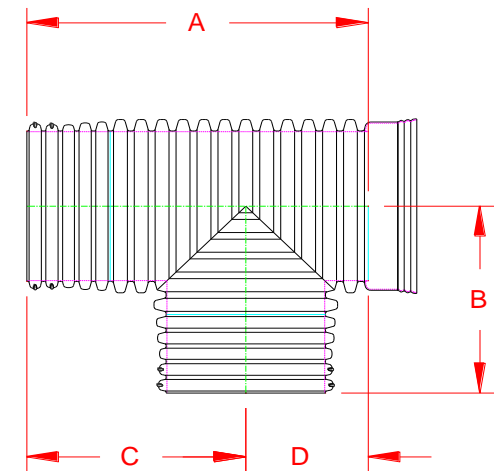
NOTE: ALL FITTINGS DIMENSIONS ARE FOR REFERENCE ONLY

© 2021 Advanced Drainage Systems, Inc.

 Advanced Drainage Systems, Inc.	DRAWING #:	HP 11150
	DRAWN BY:	TJR 11/17/2009
	APPROVED BY:	
	REVISIONS:	TJR 3/24/2016

**HP STORM DUAL WALL FABRICATED TEES
30" - 60" DIAMETER (IB BELL\IB SPIGOT\IB SPIGOT)**

PART #	PIPE SIZE	A	B	C	D	JOINT
3068AN65GP	30 in (750 mm)	64.9 in (1649 mm)	39.6 in (1007 mm)	39.6 in (1007 mm)	25.3 in (642 mm)	WT
3669AN65GP	36 in (900 mm)	68.0 in (1728 mm)	38.9 in (989 mm)	38.9 in (989 mm)	29.1 in (739 mm)	WT
4251AN65GP	42 in (1050 mm)	76.9 in (1954 mm)	40.4 in (1026 mm)	40.4 in (1025 mm)	36.6 in (929 mm)	WT
4851AN65GP	48 in (1200 mm)	78.7 in (1998 mm)	44.7 in (1136 mm)	44.7 in (1134 mm)	34.0 in (864 mm)	WT
6051AN65GP	60 in (1500 mm)	92.2 in (2341 mm)	53.2 in (1351 mm)	53.2 in (1351 mm)	39.0 in (991 mm)	WT



WT (INCLUDES 4 GASKETS)

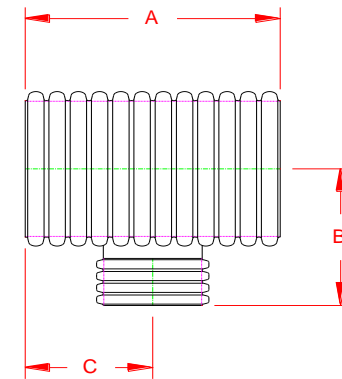
NOTE: ALL FITTINGS DIMENSIONS ARE FOR REFERENCE ONLY

© 2021 Advanced Drainage Systems, Inc.

 Advanced Drainage Systems, Inc.	DRAWING #:	HP 11175
	DRAWN BY:	TJR 11/17/2009
	APPROVED BY:	
	REVISIONS:	TJR 3/24/2016

HP STORM DUAL WALL FABRICATED REDUCING TEES
15" X 12" - 36" X 24" DIAMETER (PLAIN END)

PART #	PIPE SIZE	A	B	C	JOINT
1564ANP	15 x 12 in (375 x 300 mm)	36.7 in (932 mm)	18.0 in (457 mm)	18.3 in (466 mm)	ST
1864ANP	18 x 12 in (450 x 300 mm)	37.0 in (940 mm)	19.3 in (490 mm)	18.5 in (470 mm)	ST
1865ANP	18 x 15 in (450 x 375 mm)	39.6 in (1007 mm)	22.8 in (579 mm)	19.8 in (503 mm)	ST
2464ANP	24 x 12 in (600 x 300 mm)	41.3 in (1050 mm)	23.0 in (584 mm)	20.7 in (525 mm)	ST
2465ANP	24 x 15 in (600 x 375 mm)	44.5 in (1131 mm)	26.6 in (676 mm)	22.3 in (565 mm)	ST
2466ANP	24 x 18 in (600 x 450 mm)	47.7 in (1212 mm)	26.6 in (676 mm)	23.9 in (606 mm)	ST
3064ANP	30 x 12 in (750 x 300 mm)	47.8 in (1213 mm)	26.8 in (681 mm)	23.9 in (607 mm)	ST
3065ANP	30 x 15 in (750 x 375 mm)	51.7 in (1314 mm)	30.2 in (767 mm)	25.9 in (657 mm)	ST
3066ANP	30 x 18 in (750 x 450 mm)	55.7 in (1415 mm)	30.2 in (767 mm)	27.9 in (708 mm)	ST
3067ANP	30 x 24 in (750 x 600 mm)	59.7 in (1516 mm)	33.1 in (841 mm)	29.9 in (758 mm)	ST
3664ANP	36 x 12 in (900 x 300 mm)	47.2 in (1199 mm)	30.1 in (765 mm)	23.6 in (600 mm)	ST
3665ANP	36 x 15 in (900 x 375 mm)	52.5 in (1333 mm)	33.5 in (851 mm)	26.2 in (666 mm)	ST
3666ANP	36 x 18 in (900 x 450 mm)	57.7 in (1466 mm)	33.5 in (851 mm)	28.9 in (733 mm)	ST
3667ANP	36 x 24 in (900 x 600 mm)	63.0 in (1599 mm)	36.4 in (925 mm)	31.5 in (800 mm)	ST



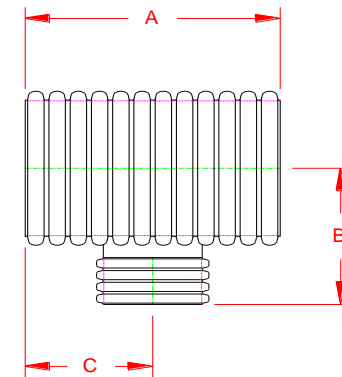
NOTE: ALL FITTINGS DIMENSIONS ARE FOR REFERENCE ONLY

© 2021 Advanced Drainage Systems, Inc.

	DRAWING #:	HP 11200
	DRAWN BY:	TJR 10/15/2009
	APPROVED BY:	
	REVISIONS:	TJR 5/13/2014

HP STORM DUAL WALL FABRICATED REDUCING TEES
42" X 12" - 60" X 24" DIAMETER (PLAIN END)

PART #	PIPE SIZE	A	B	C	JOINT
4264ANP	42 x 12 in (1050 x 300 mm)	46.3 in (1175 mm)	33.2 in (843 mm)	23.1 in (587 mm)	ST
4265ANP	42 x 15 in (1050 x 375 mm)	51.4 in (1305 mm)	36.6 in (930 mm)	25.7 in (653 mm)	ST
4266ANP	42 x 18 in (1050 x 450 mm)	56.5 in (1436 mm)	36.6 in (930 mm)	28.3 in (718 mm)	ST
4267ANP	42 x 24 in (1050 x 600 mm)	61.7 in (1566 mm)	39.5 in (1003 mm)	30.8 in (783 mm)	ST
4864ANP	48 x 12 in (1200 x 300 mm)	47.1 in (1196 mm)	36.2 in (919 mm)	23.6 in (598 mm)	ST
4865ANP	48 x 15 in (1200 x 375 mm)	52.3 in (1329 mm)	39.6 in (1006 mm)	26.2 in (665 mm)	ST
4866ANP	48 x 18 in (1200 x 450 mm)	57.6 in (1462 mm)	39.6 in (1006 mm)	28.8 in (731 mm)	ST
4867ANP	48 x 24 in (1200 x 600 mm)	62.8 in (1595 mm)	42.5 in (1080 mm)	31.4 in (798 mm)	ST
6064ANP	60 x 12 in (1500 x 300 mm)	54.0 in (1372 mm)	42.5 in (1080 mm)	27.0 in (686 mm)	ST
6065ANP	60 x 15 in (1500 x 375 mm)	54.0 in (1372 mm)	46.0 in (1168 mm)	27.0 in (686 mm)	ST
6066ANP	60 x 18 in (1500 x 450 mm)	60.0 in (1524 mm)	46.0 in (1168 mm)	30.0 in (762 mm)	ST
6067ANP	60 x 24 in (1500 x 600 mm)	66.0 in (1676 mm)	48.9 in (1242 mm)	33.0 in (838 mm)	ST



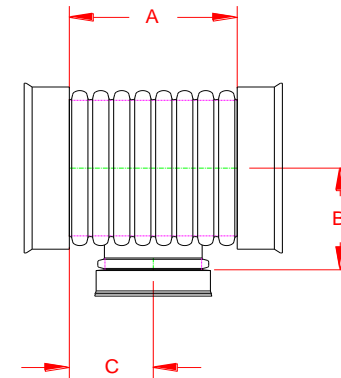
NOTE: ALL FITTINGS DIMENSIONS ARE FOR REFERENCE ONLY

© 2021 Advanced Drainage Systems, Inc.

	DRAWING #:	HP 11300
	DRAWN BY:	TJR 10/15/2009
	APPROVED BY:	
	REVISIONS:	TJR 5/13/2014

**HP STORM DUAL WALL FABRICATED REDUCING TEES
15" X 12" - 24" X 18" DIAMETER (BELLBELL)**

PART #	PIPE SIZE	A	B	C	JOINT
1564AN65BP	15 x 12 in (375 x 300 mm)	26.2 in (665 mm)	14.1 in (358 mm)	13.1 in (333 mm)	WT
1864AN65BP	18 x 12 in (450 x 300 mm)	26.4 in (671 mm)	15.5 in (394 mm)	13.2 in (336 mm)	WT
1865AN65BP	18 x 15 in (450 x 375 mm)	29.1 in (738 mm)	17.6 in (447 mm)	14.5 in (369 mm)	WT
2464AN65BP	24 x 12 in (600 x 300 mm)	28.6 in (727 mm)	19.3 in (490 mm)	14.3 in (363 mm)	WT
2465AN65BP	24 x 15 in (600 x 375 mm)	31.8 in (808 mm)	21.4 in (544 mm)	15.9 in (404 mm)	WT
2466AN65BP	24 x 18 in (600 x 450 mm)	35.0 in (888 mm)	21.2 in (538 mm)	17.5 in (444 mm)	WT



WT (INCLUDES 3 GASKETS)

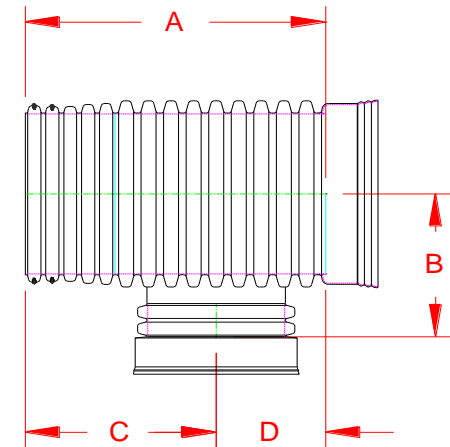
NOTE: ALL FITTINGS DIMENSIONS ARE FOR REFERENCE ONLY

© 2021 Advanced Drainage Systems, Inc.

	DRAWING #:	HP 11400
	DRAWN BY:	TJR 10/15/2009
	APPROVED BY:	
	REVISIONS:	TJR 5/13/2014

**HP STORM DUAL WALL FABRICATED REDUCING TEES
30" X 12" - 36" X 24" DIAMETER (IB BELL\IB SPIGOT\BELL)**

PART #	PIPE SIZE	A	B	C	D	JOINT
3064AN65BP	30 x 12 in (750 x 300 mm)	41.1 in (1043 mm)	22.9 in (582 mm)	27.7 in (704 mm)	13.4 in (339 mm)	WT
3065AN65BP	30 x 15 in (750 x 375 mm)	45.0 in (1144 mm)	25.0 in (635 mm)	29.7 in (754 mm)	15.3 in (390 mm)	WT
3066AN65BP	30 x 18 in (750 x 450 mm)	49.0 in (1245 mm)	24.8 in (630 mm)	31.7 in (805 mm)	17.3 in (440 mm)	WT
3067AN65BP	30 x 24 in (750 x 600 mm)	53.0 in (1346 mm)	26.8 in (681 mm)	33.7 in (855 mm)	19.3 in (491 mm)	WT
3664AN65BP	36 x 12 in (900 x 300 mm)	36.5 in (928 mm)	24.3 in (617 mm)	23.2 in (589 mm)	13.4 in (339 mm)	WT
3665AN65BP	36 x 15 in (900 x 375 mm)	41.8 in (1061 mm)	25.8 in (655 mm)	25.8 in (656 mm)	16.0 in (406 mm)	WT
3666AN65BP	36 x 18 in (900 x 450 mm)	47.0 in (1195 mm)	25.5 in (648 mm)	28.4 in (722 mm)	18.6 in (472 mm)	WT
3667AN65BP	36 x 24 in (900 x 600 mm)	52.3 in (1328 mm)	27.0 in (686 mm)	31.1 in (789 mm)	21.2 in (539 mm)	WT



WT (INCLUDES 3 GASKETS)

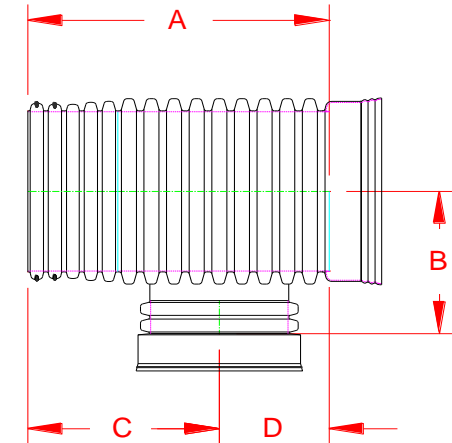
NOTE: ALL FITTINGS DIMENSIONS ARE FOR REFERENCE ONLY

© 2021 Advanced Drainage Systems, Inc.

	DRAWING #:	HP 11450
	DRAWN BY:	TJR 11/17/2009
	APPROVED BY:	
	REVISIONS:	TJR 5/13/2014

**HP STORM DUAL WALL FABRICATED REDUCING TEES
42" X 12" - 60" X 24" DIAMETER (IB BELL\IB SPIGOT\BELL)**

PART #	PIPE SIZE	A	B	C	D	JOINT
4264AN65BP	42 x 12 in (1050 x 300 mm)	35.8 in (910 mm)	27.4 in (696 mm)	22.4 in (568 mm)	13.4 in (341 mm)	WT
4265AN65BP	42 x 15 in (1050 x 375 mm)	41.0 in (1040 mm)	28.9 in (734 mm)	24.9 in (633 mm)	16.0 in (407 mm)	WT
4266AN65BP	42 x 18 in (1050 x 450 mm)	46.1 in (1170 mm)	28.6 in (726 mm)	27.5 in (699 mm)	18.6 in (472 mm)	WT
4267AN65BP	42 x 24 in (1050 x 600 mm)	51.2 in (1301 mm)	30.1 in (765 mm)	30.1 in (764 mm)	21.2 in (537 mm)	WT
4864AN65BP	48 x 12 in (1200 x 300 mm)	36.8 in (935 mm)	30.4 in (772 mm)	23.7 in (602 mm)	13.1 in (332 mm)	WT
4865AN65BP	48 x 15 in (1200 x 375 mm)	42.0 in (1068 mm)	31.9 in (810 mm)	26.3 in (669 mm)	15.7 in (399 mm)	WT
4866AN65BP	48 x 18 in (1200 x 450 mm)	47.3 in (1200 mm)	31.6 in (803 mm)	29.0 in (736 mm)	18.3 in (465 mm)	WT
4867AN65BP	48 x 24 in (1200 x 600 mm)	52.5 in (1334 mm)	33.1 in (841 mm)	31.6 in (802 mm)	20.9 in (531 mm)	WT
6064AN65BP	60 x 12 in (1500 x 300 mm)	44.2 in (1122 mm)	36.8 in (935 mm)	29.2 in (741 mm)	15.0 in (381 mm)	WT
6065AN65BP	60 x 15 in (1500 x 375 mm)	44.2 in (1122 mm)	38.2 in (970 mm)	29.2 in (741 mm)	15.0 in (381 mm)	WT
6066AN65BP	60 x 18 in (1500 x 450 mm)	50.2 in (1274 mm)	37.9 in (963 mm)	32.2 in (817 mm)	18.0 in (457 mm)	WT
6067AN65BP	60 x 24 in (1500 x 600 mm)	56.2 in (1427 mm)	39.4 in (1001 mm)	35.2 in (894 mm)	21.0 in (533 mm)	WT



WT (INCLUDES 3 GASKETS)

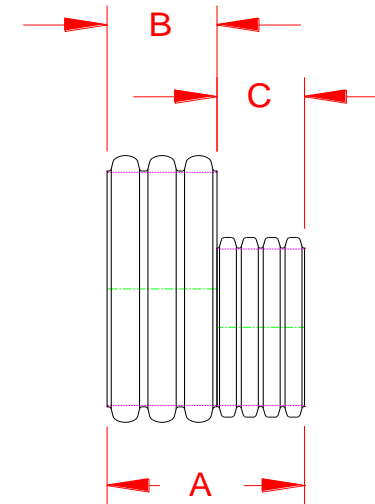
NOTE: ALL FITTINGS DIMENSIONS ARE FOR REFERENCE ONLY

© 2021 Advanced Drainage Systems, Inc.

 Advanced Drainage Systems, Inc.	DRAWING #:	HP 11500
	DRAWN BY:	TJR 11/17/2009
	APPROVED BY:	
	REVISIONS:	TJR 5/13/2014

HP STORM DUAL WALL FABRICATED REDUCERS
15" x 12" - 36" x 24" DIAMETER (PLAIN END)

PART #	PIPE SIZE	A	B	C	JOINT
1574ANP	15 x 12 in (375x 300 mm)	17.7 in (449 mm)	7.9 in (200 mm)	9.8 in (249 mm)	ST
1874ANP	18 x 12 in (450 x 300 mm)	17.7 in (450 mm)	7.9 in (201 mm)	9.8 in (249 mm)	ST
1875ANP	18 x 15 in (450 x 375mm)	18.4 in (468 mm)	7.9 in (201 mm)	10.5 in (266 mm)	ST
2474ANP	24 x 12 in (600 x 300 mm)	19.3 in (491 mm)	9.5 in (242 mm)	9.8 in (249 mm)	ST
2475ANP	24 x 15 in (600 x 375 mm)	20.0 in (509 mm)	9.5 in (242 mm)	10.5 in (266 mm)	ST
2476ANP	24 x 18 in (600 x 450 mm)	20.1 in (511 mm)	9.5 in (242 mm)	10.6 in (268 mm)	ST
3074ANP	30 x 12 in (750 x 300 mm)	21.7 in (552 mm)	11.9 in (303 mm)	9.8 in (249 mm)	ST
3075ANP	30 x 15 in (750 x 375 mm)	22.4 in (569 mm)	11.9 in (303 mm)	10.5 in (266 mm)	ST
3076ANP	30 x 18 in (750 x 450 mm)	22.5 in (572 mm)	11.9 in (303 mm)	10.6 in (268 mm)	ST
3077ANP	30 x 24 in (750 x 600 mm)	24.5 in (621 mm)	11.9 in (303 mm)	12.5 in (318 mm)	ST
3674ANP	36 x 12 in (900 x 300 mm)	25.5 in (649 mm)	15.7 in (400 mm)	9.8 in (249 mm)	ST
3675ANP	36 x 15 in (900 x 375 mm)	26.2 in (666 mm)	15.7 in (400 mm)	10.5 in (266 mm)	ST
3676ANP	36 x 18 in (900 x 450 mm)	26.3 in (668 mm)	15.7 in (400 mm)	10.6 in (268 mm)	ST
3677ANP	36 x 24 in (900 x 600 mm)	28.3 in (718 mm)	15.7 in (400 mm)	15.5 in (394 mm)	ST



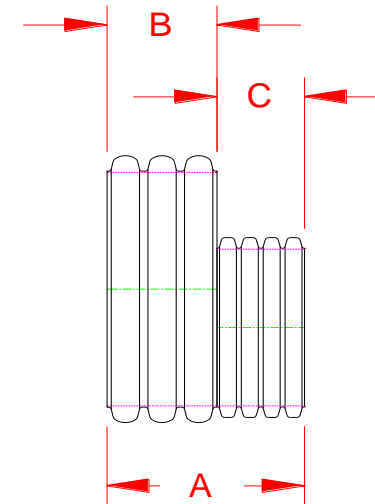
NOTE: ALL FITTINGS DIMENSIONS ARE FOR REFERENCE ONLY

© 2021 Advanced Drainage Systems, Inc.

	DRAWING #:	HP 12000
	DRAWN BY:	TJR 10/19/2009
	APPROVED BY:	
	REVISIONS:	TJR 5/13/2014

HP STORM DUAL WALL FABRICATED REDUCERS 42" x 12" - 60" x 24" DIAMETER (PLAIN END)

PART #	PIPE SIZE	A	B	C	JOINT
4274ANP	42 x 12 in (1050 x 300 mm)	25.2 in (641 mm)	15.4 in (392 mm)	9.8 in (249 mm)	ST
4275ANP	42 x 15 in (1050 x 375 mm)	25.9 in (658 mm)	15.4 in (392 mm)	10.5 in (266 mm)	ST
4276ANP	42 x 18 in (1050 x 450 mm)	26.0 in (660 mm)	15.4 in (392 mm)	10.6 in (268 mm)	ST
4277ANP	42 x 24 in (1050 x 600 mm)	27.9 in (710 mm)	15.4 in (392 mm)	12.5 in (318 mm)	ST
4874ANP	48 x 12 in (1200 x 300 mm)	25.5 in (648 mm)	15.7 in (399 mm)	9.8 in (249 mm)	ST
4875ANP	48 x 15 in (1200 x 375 mm)	26.2 in (665 mm)	15.7 in (399 mm)	10.5 in (266 mm)	ST
4876ANP	48 x 18 in (1200 x 450 mm)	26.3 in (667 mm)	15.7 in (399 mm)	10.6 in (268 mm)	ST
4877ANP	48 x 24 in (1200 x 600 mm)	28.2 in (717 mm)	15.7 in (399 mm)	12.5 in (318 mm)	ST
6074ANP	60 x 12 in (1500 x 300 mm)	27.8 in (706 mm)	18.0 in (457 mm)	9.8 in (249 mm)	ST
6075ANP	60 x 15 in (1500 x 375 mm)	28.5 in (723 mm)	18.0 in (457 mm)	10.5 in (266 mm)	ST
6076ANP	60 x 18 in (1500 x 450 mm)	28.6 in (726 mm)	18.0 in (457 mm)	10.6 in (268 mm)	ST
6077ANP	60 x 24 in (1500 x 600 mm)	30.5 in (775 mm)	18.0 in (457 mm)	12.5 in (318 mm)	ST



NOTE: ALL FITTINGS DIMENSIONS ARE FOR REFERENCE ONLY

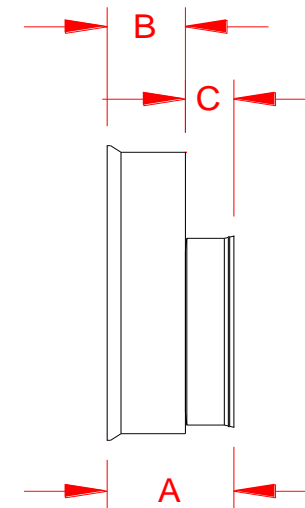
© 2021 Advanced Drainage Systems, Inc.



DRAWING #:	HP 12100	
DRAWN BY:	TJR	10/19/2009
APPROVED BY:		
REVISIONS:	TJR	5/13/2014

HP STORM DUAL WALL FABRICATED REDUCERS
15" x 12" - 24" x 18" DIAMETER (BELL\BELL)

PART #	PIPE SIZE	A	B	C	JOINT
1574AN65BP	15 x 12 in (375x 300 mm)	14.3 in (362 mm)	7.8 in (197 mm)	6.5 in (165 mm)	WT
1874AN65BP	18 x 12 in (450 x 300 mm)	15.4 in (391 mm)	8.9 in (226 mm)	6.5 in (165 mm)	WT
1875AN65BP	18 x 15 in (450 x 375mm)	16.6 in (422 mm)	8.9 in (2131 mm)	7.8 in (197 mm)	WT
2474AN65BP	24 x 12 in (600 x 300 mm)	13.5 in (343 mm)	7.0 in (178 mm)	6.5 in (165 mm)	WT
2475AN65BP	24 x 15 in (600 x 375 mm)	14.8 in (375 mm)	7.0 in (178 mm)	7.8 in (197 mm)	WT
2476AN65BP	24 x 18 in (600 x 450 mm)	15.9 in (403 mm)	7.0 in (178 mm)	8.9 in (226 mm)	WT



WT (INCLUDES 2 GASKETS)

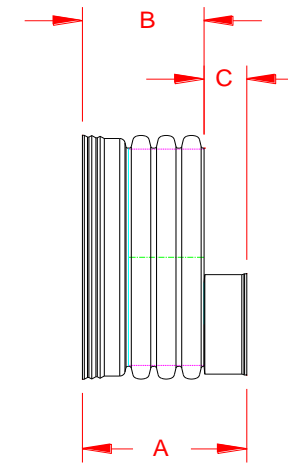
NOTE: ALL FITTINGS DIMENSIONS ARE FOR REFERENCE ONLY

© 2021 Advanced Drainage Systems, Inc.

	DRAWING #:	HP 12200
	DRAWN BY:	TJR 10/19/2009
	APPROVED BY:	
	REVISIONS:	TJR 5/13/2014

HP STORM DUAL WALL FABRICATED REDUCERS
30" x 12" - 36" x 24" DIAMETER (IB BELLBELL)

PART #	PIPE SIZE	A	B	C	JOINT
3074AN65BP	30 x 12 in (750 x 300 mm)	25.1 in (638 mm)	18.6 in (472 mm)	6.5 in (165 mm)	WT
3075AN65BP	30 x 15 in (750 x 375 mm)	26.4 in (669 mm)	18.6 in (472 mm)	7.8 in (197 mm)	WT
3076AN65BP	30 x 18 in (750 x 450mm)	27.5 in (698 mm)	18.6 in (472 mm)	8.9 in (226 mm)	WT
3077AN65BP	30 x 24 in (750 x 600 mm)	25.6 in (650 mm)	18.6 in (472 mm)	7.0 in (178 mm)	WT
3674AN65BP	36 x 12 in (900 x 300 mm)	26.0 in (661 mm)	19.5 in (496 mm)	6.5 in (165 mm)	WT
3675AN65BP	36 x 15 in (900 x 375 mm)	27.3 in (693 mm)	19.5 in (496 mm)	7.8 in (197 mm)	WT
3676AN65BP	36 x 18 in (900 x 450 mm)	28.4 in (721 mm)	19.5 in (496 mm)	8.9 in (226 mm)	WT
3677AN65BP	36 x 24 in (900 x 600 mm)	26.5 in (674 mm)	19.5 in (496 mm)	7.0 in (178 mm)	WT



WT (INCLUDES 1 GASKETS)

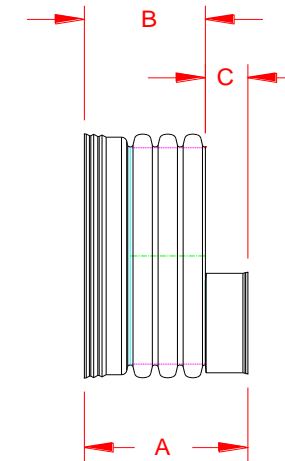
NOTE: ALL FITTINGS DIMENSIONS ARE FOR REFERENCE ONLY

© 2021 Advanced Drainage Systems, Inc.

 Advanced Drainage Systems, Inc.	DRAWING #:	HP 12250	
	DRAWN BY:	TJR	8/6/2010
	APPROVED BY:		
	REVISIONS:	TJR	5/13/2014

HP STORM DUAL WALL FABRICATED REDUCERS
42" x 12" - 60" x 24" DIAMETER (IB BELLBELL)

PART #	PIPE SIZE	A	B	C	JOINT
4274AN65BP	42 x 12 in (1050x 300 mm)	31.0 in (788 mm)	24.5 in (623 mm)	6.5 in (165 mm)	WT
4275AN65BP	42 x 15 in (1050 x 375 mm)	32.3 in (820 mm)	24.5 in (623 mm)	7.8 in (197 mm)	WT
4276AN65BP	42 x 18 in (1050 x 450mm)	33.4 in (849 mm)	24.5 in (623 mm)	8.9 in (226 mm)	WT
4277AN65BP	42 x 24 in (1050 x 600 mm)	31.5 in (801 mm)	24.5 in (623 mm)	7.0 in (178 mm)	WT
4874AN65BP	48 x 12 in (1200 x 300 mm)	31.7 in (806 mm)	25.2 in (641 mm)	6.5 in (165 mm)	WT
4875AN65BP	48 x 15 in (1200 x 375 mm)	33.0 in (838 mm)	25.2 in (641 mm)	7.8 in (197 mm)	WT
4876AN65BP	48 x 18 in (1200 x 450 mm)	34.1 in (867 mm)	25.2 in (641 mm)	8.9 in (226 mm)	WT
4877AN65BP	48 x 24 in (1200 x 600 mm)	32.2 in (819 mm)	25.2 in (641 mm)	7.0 in (178 mm)	WT
6074AN65BP	60 x 12 in (1500 x 300 mm)	36.5 in (928 mm)	30.0 in (763 mm)	6.5 in (165 mm)	WT
6075AN65BP	60 x 15 in (1500 x 375 mm)	37.8 in (960 mm)	30.0 in (763 mm)	7.8 in (197 mm)	WT
6076AN65BP	60 x 18 in (1500 x 450 mm)	38.9 in (988 mm)	30.0 in (763 mm)	8.4 in (213 mm)	WT
6077AN65BP	60 x 24 in (1500 x 600 mm)	37.0 in (941 mm)	30.0 in (763 mm)	7.0 in (178 mm)	WT



WT (INCLUDES 1 GASKETS)

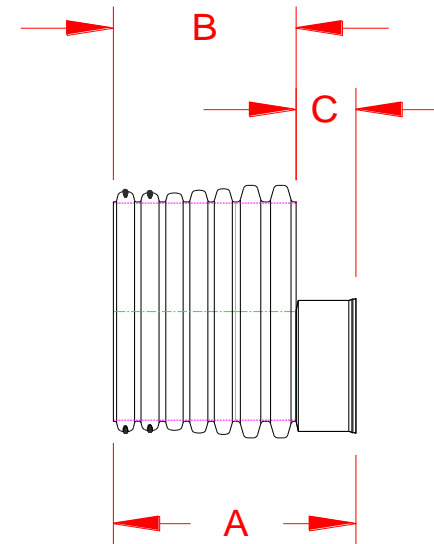
NOTE: ALL FITTINGS DIMENSIONS ARE FOR REFERENCE ONLY

© 2021 Advanced Drainage Systems, Inc.

 Advanced Drainage Systems, Inc.	DRAWING #:	HP 12300	
	DRAWN BY:	TJR	11/17/2009
	APPROVED BY:		
	REVISIONS:	TJR	5/13/2014

HP STORM DUAL WALL FABRICATED REDUCERS
30" x 12" - 36" x 24" DIAMETER (IB SPIGOT\BELL)

PART #	PIPE SIZE	A	B	C	JOINT
3074AN65GP	30 x 12 in (750x 300 mm)	30.2 in (767 mm)	23.7 in (602 mm)	6.5 in (165 mm)	WT
3075AN65GP	30 x 15 in (750 x 375 mm)	31.4 in (799 mm)	23.7 in (602 mm)	7.8 in (197 mm)	WT
3076AN65GP	30 x 18 in (750 x 450mm)	32.6 in (827 mm)	23.7 in (602 mm)	8.9 in (226 mm)	WT
3077AN65GP	30 x 24 in (750 x 600 mm)	30.7 in (780 mm)	23.7 in (602 mm)	7.0 in (178 mm)	WT
3674AN65GP	36 x 12 in (900 x 300 mm)	27.1 in (687 mm)	20.6 in (522 mm)	6.5 in (165 mm)	WT
3675AN65GP	36 x 15 in (900 x 375 mm)	28.3 in (719 mm)	20.6 in (522 mm)	7.8 in (197 mm)	WT
3676AN65GP	36 x 18 in (900 x 450 mm)	29.4 in (748 mm)	20.6 in (522 mm)	8.9 in (226 mm)	WT
3677AN65GP	36 x 24 in (900 x 600 mm)	27.6 in (700 mm)	20.6 in (522 mm)	7.0 in (178 mm)	WT



WT (INCLUDES 2 GASKETS)

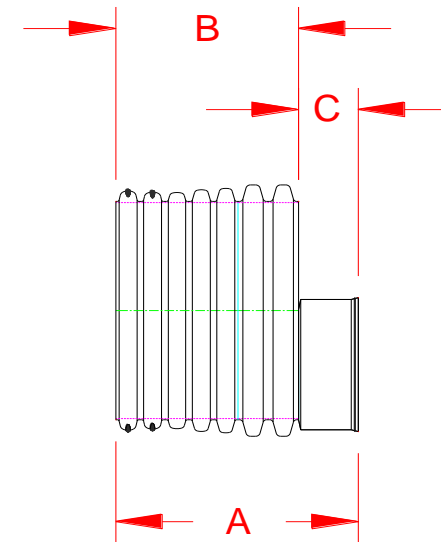
NOTE: ALL FITTINGS DIMENSIONS ARE FOR REFERENCE ONLY

© 2021 Advanced Drainage Systems, Inc.

 Advanced Drainage Systems, Inc.	DRAWING #:	HP 12350	
	DRAWN BY:	TJR	8/6/2010
	APPROVED BY:		
	REVISIONS:	TJR	5/13/2014

HP STORM DUAL WALL FABRICATED REDUCERS
42" x 12" - 60" x 24" DIAMETER (IB SPIGOT\BELL)

PART #	PIPE SIZE	A	B	C	JOINT
4274AN65GP	42 x 12 in (1050x 300 mm)	31.4 in (799 mm)	24.9 in (633 mm)	6.5 in (165 mm)	WT
4275AN65GP	42 x 15 in (1050 x 375 mm)	32.7 in (830 mm)	24.9 in (633 mm)	7.8 in (197 mm)	WT
4276AN65GP	42 x 18 in (1050 x 450mm)	33.8 in (859 mm)	24.9 in (633 mm)	8.9 in (226 mm)	WT
4277AN65GP	42 x 24 in (1050 x 600 mm)	31.9 in (811 mm)	24.9 in (633 mm)	7.0 in (178 mm)	WT
4874AN65GP	48 x 12 in (1200 x 300 mm)	32.8 in (834 mm)	26.3 in (669 mm)	6.5 in (165 mm)	WT
4875AN65GP	48 x 15 in (1200 x 375 mm)	34.1 in (866 mm)	26.3 in (669 mm)	7.8 in (197 mm)	WT
4876AN65GP	48 x 18 in (1200 x 450 mm)	35.2 in (894 mm)	26.3 in (669 mm)	8.9 in (226 mm)	WT
4877AN65GP	48 x 24 in (1200 x 600 mm)	33.3 in (847 mm)	26.3 in (669 mm)	7.0 in (178 mm)	WT
6074AN65GP	60 x 12 in (1500 x 300 mm)	38.7 in (982 mm)	32.2 in (817 mm)	6.5 in (165 mm)	WT
6075AN65GP	60 x 15 in (1500 x 375 mm)	39.9 in (1014 mm)	32.2 in (817 mm)	7.8 in (197 mm)	WT
6076AN65GP	60 x 18 in (1500 x 450 mm)	41.1 in (1043 mm)	32.2 in (817 mm)	8.4 in (213 mm)	WT
6077AN65GP	60 x 24 in (1500 x 600 mm)	39.2 in (995 mm)	32.2 in (817 mm)	7.0 in (178 mm)	WT



WT (INCLUDES 2 GASKETS)

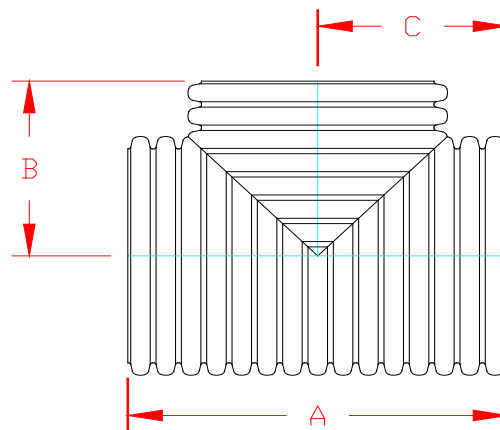
NOTE: ALL FITTINGS DIMENSIONS ARE FOR REFERENCE ONLY

© 2021 Advanced Drainage Systems, Inc.

 Advanced Drainage Systems, Inc.	DRAWING #:	HP 12400	
	DRAWN BY:	TJR	11/17/2009
	APPROVED BY:		
	REVISIONS:	TJR	5/13/2014

**HP STORM DUAL WALL FABRICATED "SOIL TIGHT" "PLAIN END"
SINGLE MANIFOLD 12" - 30" DIAMETER**

PART #	PIPE SIZE	A	B	C
1251ANP	12 in (300 mm)	23.6 in (600 mm)	11.8 in (300 mm)	11.8 in (300 mm)
1551ANP	15 in (375 mm)	28.4 in (721 mm)	14.2 in (360 mm)	14.2 in (360 mm)
1851ANP	18 in (450 mm)	35.4 in (900 mm)	17.7 in (450 mm)	17.7 in (450 mm)
2151ANP	21 in (525 mm)	38.5 in (978 mm)	19.2 in (489 mm)	19.2 in (489 mm)
2451ANP	24 in (600 mm)	41.1 in (1043 mm)	20.5 in (522 mm)	20.5 in (522 mm)
3051ANP	30 in (750 mm)	50.5 in (1282 mm)	25.2 in (641 mm)	25.2 in (641 mm)



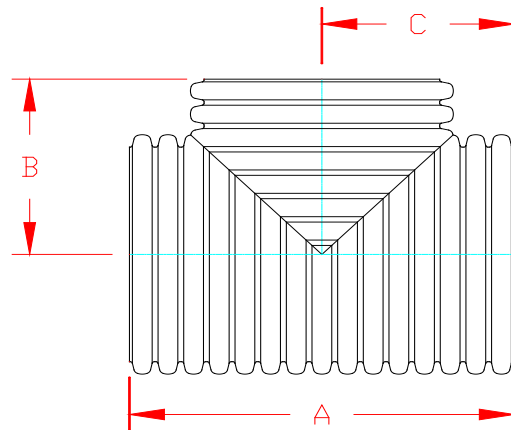
NOTE: ALL FITTINGS DIMENSIONS ARE FOR REFERENCE ONLY



DRAWING #:	13000	
DRAWN BY:	TJR	10/13/2016
APPROVED BY:		
REVISIONS:		

**HP STORM DUAL WALL FABRICATED "SOIL TIGHT" "PLAIN END"
SINGLE MANIFOLD 36" - 60" DIAMETER**

PART #	PIPE SIZE	A	B	C
3651ANP	36 in (900 mm)	63.0 in (1601 mm)	31.5 in (800 mm)	31.5 in (800 mm)
4251ANP	42 in (1050 mm)	67.9 in (1725 mm)	34.0 in (863 mm)	34.0 in (863 mm)
4851ANP	48 in (1200 mm)	78.9 in (2005 mm)	39.5 in (1003 mm)	39.5 in (1003 mm)
6051ANP	60 in (1500 mm)	90.7 in (2305 mm)	45.4 in (1152 mm)	45.4 in (1152 mm)



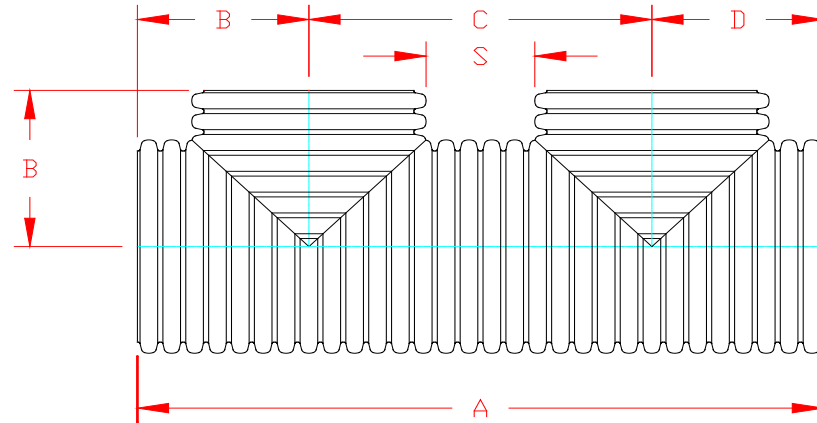
NOTE: ALL FITTINGS DIMENSIONS ARE FOR REFERENCE ONLY



DRAWING #:	13025	
DRAWN BY:	TJR	10/13/2016
APPROVED BY:		
REVISIONS:		

**HP STORM DUAL WALL FABRICATED "SOIL TIGHT" "PLAIN END"
DOUBLE MANIFOLD 12" - 30" DIAMETER**

PART #	PIPE SIZE	A	B	C	D	S
1252ANP	12 in (300 mm)	47.3 in (1200 mm)	11.8 in (300 mm)	23.6 in (600 mm)	11.8 in (300 mm)	9.1 in (230 mm)
1552ANP	15 in (375 mm)	56.8 in (1442 mm)	14.2 in (360 mm)	28.4 in (721 mm)	14.2 in (360 mm)	10.7 in (271 mm)
1852ANP	18 in (450 mm)	70.9 in (1801 mm)	17.7 in (450 mm)	35.4 in (900 mm)	17.7 in (450 mm)	14.1 in (357 mm)
2152ANP	21 in (525 mm)	77.0 in (1955 mm)	19.2 in (489 mm)	38.5 in (978 mm)	19.2 in (489 mm)	13.8 in (350 mm)
2452ANP	24 in (600 mm)	82.2 in (2087 mm)	20.5 in (522 mm)	41.1 in (1043 mm)	20.5 in (522 mm)	12.6 in (321 mm)
3052ANP	30 in (750 mm)	101.0 in (2565 mm)	25.2 in (641 mm)	50.5 in (1282 mm)	25.2 in (641 mm)	15.0 in (382 mm)



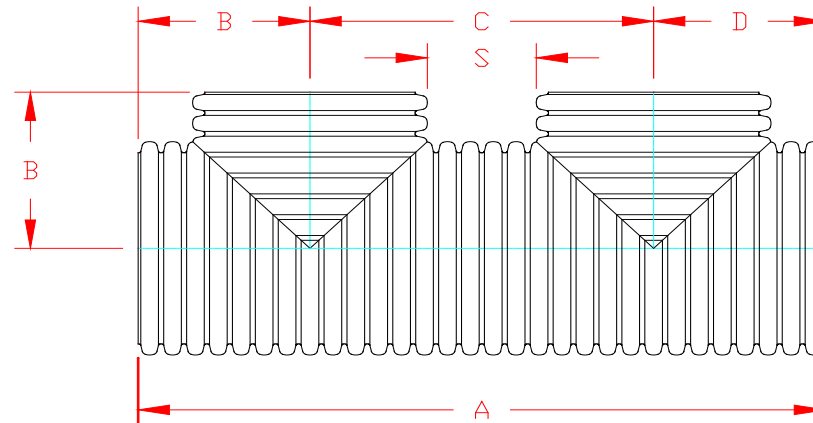
NOTE: ALL FITTINGS DIMENSIONS ARE FOR REFERENCE ONLY



DRAWING #:	13050	
DRAWN BY:	TJR	10/13/2016
APPROVED BY:		
REVISIONS:		

**HP STORM DUAL WALL FABRICATED "SOIL TIGHT" "PLAIN END"
DOUBLE MANIFOLD 36" - 60" DIAMETER**

PART #	PIPE SIZE	A	B	C	D	S
3652ANP	36 in (900 mm)	126.0 in (3201 mm)	31.5 in (800 mm)	63.0 in (1601 mm)	31.5 in (800 mm)	21.5 in (546 mm)
4252ANP	42 in (1050 mm)	135.9 in (3451 mm)	34.0 in (863 mm)	67.9 in (1725 mm)	34.0 in (863 mm)	20.5 in (522 mm)
4852ANP	48 in (1200 mm)	157.9 in (4010 mm)	39.5 in (1003 mm)	78.9 in (2005 mm)	39.5 in (1003 mm)	24.8 in (629 mm)
6052ANP	60 in (1500 mm)	181.5 in (4609 mm)	45.4 in (1152 mm)	90.7 in (2305 mm)	45.4 in (1152 mm)	23.6 in (600 mm)



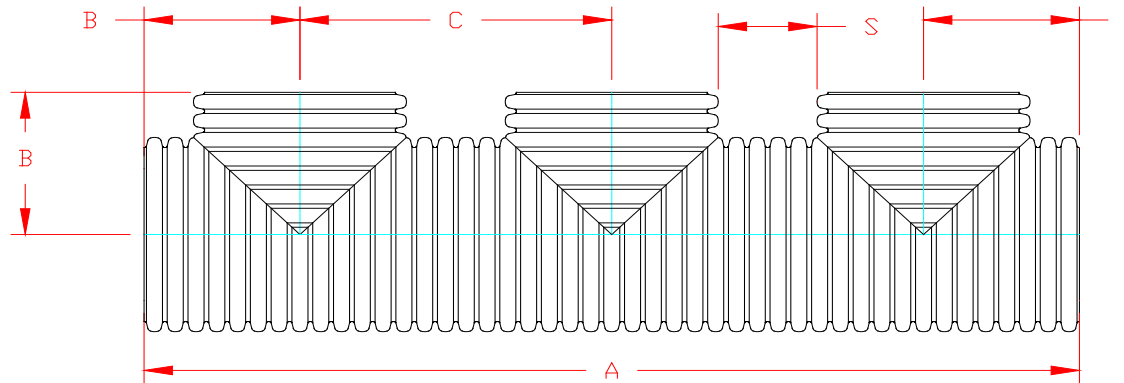
NOTE: ALL FITTINGS DIMENSIONS ARE FOR REFERENCE ONLY



DRAWING #:	13075	
DRAWN BY:	TJR	10/13/2016
APPROVED BY:		
REVISIONS:		

**HP STORM DUAL WALL FABRICATED "SOIL TIGHT" "PLAIN END"
TRIPLE MANIFOLD 12" - 36" DIAMETER**

PART #	PIPE SIZE	A	B	C	D	S
1253ANP	12 in (300 mm)	70.9 in (1800 mm)	11.8 in (300 mm)	23.6 in (600 mm)	11.8 in (300 mm)	9.1 in (230 mm)
1553ANP	15 in (375 mm)	85.2 in (2163 mm)	14.2 in (360 mm)	28.4 in (721 mm)	14.2 in (360 mm)	10.7 in (271 mm)
1853ANP	18 in (450 mm)	106.3 in (2701 mm)	17.7 in (450 mm)	35.4 in (900 mm)	17.7 in (450 mm)	14.1 in (357 mm)
2153ANP	21 in (525 mm)	115.5 in (2933 mm)	19.2 in (489 mm)	38.5 in (978 mm)	19.2 in (489 mm)	13.8 in (350 mm)
2453ANP	24 in (600 mm)	123.3 in (3131 mm)	20.5 in (522 mm)	41.1 in (1043 mm)	20.5 in (522 mm)	12.6 in (321 mm)
3053ANP	30 in (750 mm)	151.5 in (3847 mm)	25.2 in (641 mm)	50.5 in (1282 mm)	25.2 in (641 mm)	15.0 in (382 mm)
3653ANP	36 in (900 mm)	189.1 in (4802 mm)	31.5 in (800 mm)	63.0 in (1601 mm)	31.5 in (800 mm)	21.5 in (546 mm)



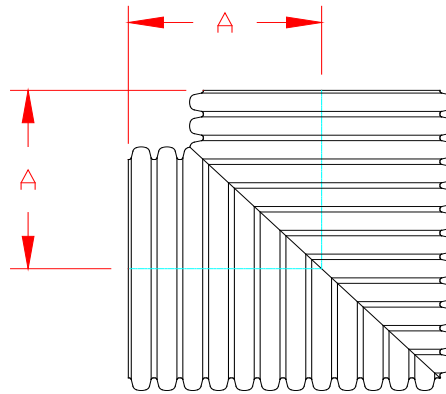
NOTE: ALL FITTINGS DIMENSIONS ARE FOR REFERENCE ONLY



DRAWING #:	13100	
DRAWN BY:	TJR	10/13/2016
APPROVED BY:		
REVISIONS:		

HP STORM DUAL WALL FABRICATED "SOIL TIGHT" "PLAIN END"
 90° MANIFOLD BEND 12" - 30" DIAMETER

PART #	PIPE SIZE	A
1298ANP	12 in (300 mm)	11.8 in (300 mm)
1598ANP	15 in (375 mm)	14.2 in (360 mm)
1898ANP	18 in (450 mm)	17.7 in (450 mm)
2198ANP	21 in (525 mm)	19.2 in (489 mm)
2498ANP	24 in (600 mm)	20.5 in (522 mm)
3098ANP	30 in (750 mm)	25.2 in (641 mm)



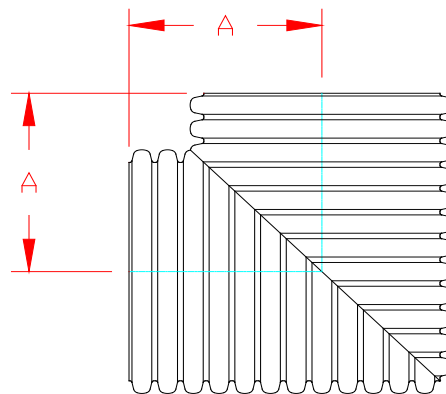
NOTE: ALL FITTINGS DIMENSIONS ARE FOR REFERENCE ONLY



DRAWING #:	13125	
DRAWN BY:	TJR	10/13/2016
APPROVED BY:		
REVISIONS:		

HP STORM DUAL WALL FABRICATED "SOIL TIGHT" "PLAIN END"
 90° MANIFOLD BEND 36" - 60" DIAMETER

PART #	PIPE SIZE	A
3698ANP	36 in (900 mm)	31.6 in (801 mm)
4298ANP	42 in (1050 mm)	34.0 in (863 mm)
4898ANP	48 in (1200 mm)	39.5 in (1003 mm)
6098ANP	60 in (1500 mm)	45.4 in (1152 mm)



NOTE: ALL FITTINGS DIMENSIONS ARE FOR REFERENCE ONLY

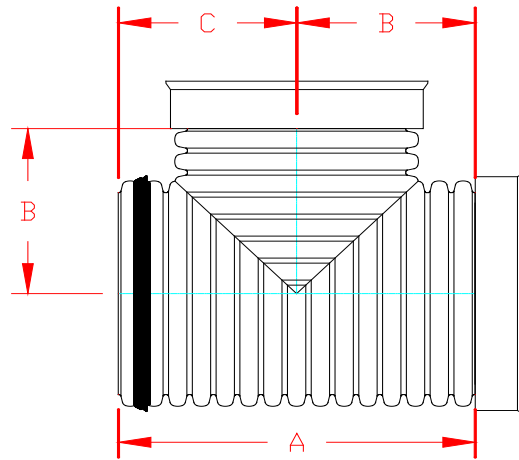


Advanced Drainage Systems, Inc.

DRAWING #:	13150	
DRAWN BY:	TJR	10/13/2016
APPROVED BY:		
REVISIONS:		

**HP STORM DUAL WALL FABRICATED "WATER TIGHT" "BELL END"
SINGLE MANIFOLD 12" - 18" & 24" DIAMETER**

PART #	PIPE SIZE	A	B	C
1251AN65BP	12 in (300 mm)	23.6 in (600 mm)	9.8 in (250 mm)	13.8 in (350 mm)
1551AN65BP	15 in (375 mm)	28.5 in (725 mm)	12.0 in (304 mm)	16.6 in (421 mm)
1851AN65BP	18 in (450 mm)	35.4 in (900 mm)	14.8 in (375 mm)	20.7 in (525 mm)
2451AN65BP	24 in (600 mm)	41.1 in (1043 mm)	17.4 in (441 mm)	23.7 in (602 mm)



BELL END GASKET NOT INCLUDED WITH FITTING PLEASE ORDER SEPARATELY.

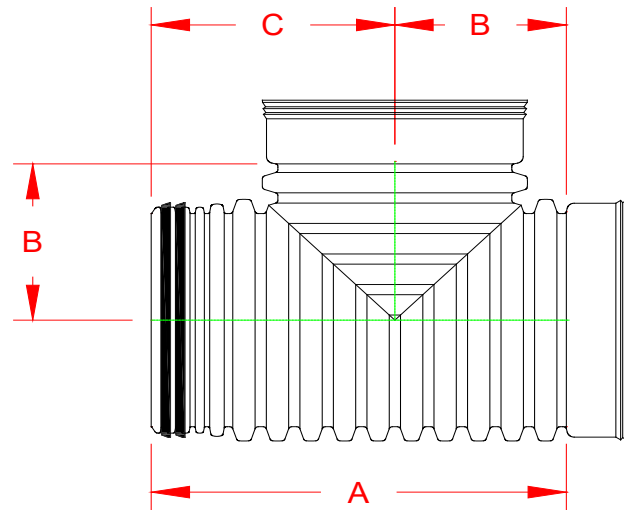
NOTE: ALL FITTINGS DIMENSIONS ARE FOR REFERENCE ONLY



DRAWING #:	13175	
DRAWN BY:	TJR	10/13/2016
APPROVED BY:		
REVISIONS:		

**HP STORM DUAL WALL FABRICATED "WATER TIGHT" "IN-LINE BELL END"
SINGLE MANIFOLD 21" & 30" - 60" DIAMETER**

PART #	PIPE SIZE	A	B	C
2151AN65BP	21 in (525 mm)	41.7 in (1060 mm)	16.6 in (421 mm)	25.2 in (639 mm)
3051AN65BP	30 in (750 mm)	55.6 in (1412 mm)	22.0 in (558 mm)	33.6 in (854 mm)
3651AN65BP	36 in (900 mm)	65.0 in (1652 mm)	26.9 in (682 mm)	38.2 in (969 mm)
4251AN65BP	42 in (1050 mm)	73.7 in (1871 mm)	30.3 in (770 mm)	43.4 in (1101 mm)
4851AN65BP	48 in (1200 mm)	82.6 in (2099 mm)	34.8 in (883 mm)	47.9 in dist end
6051AN65BP	60 in (1500 mm)	97.3 in (2470 mm)	40.0 in (1017 mm)	57.2 in (1454 mm)



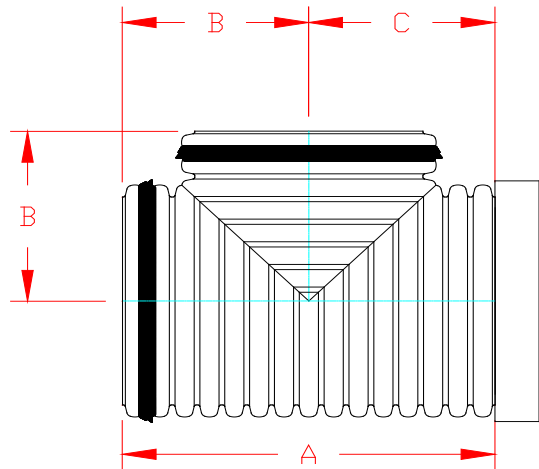
NOTE: ALL FITTINGS DIMENSIONS ARE FOR REFERENCE ONLY



DRAWING #:	13200	
DRAWN BY:	TJR	10/13/2016
APPROVED BY:		
REVISIONS:		

**HP STORM DUAL WALL FABRICATED "WATER TIGHT" "GASKET END"
SINGLE MANIFOLD 12" - 18" & 24" DIAMETER**

PART #	PIPE SIZE	A	B	C
1251AN65GP	12 in (300 mm)	23.6 in (600 mm)	13.8 in (350 mm)	9.8 in (250 mm)
1551AN65GP	15 in (375 mm)	28.5 in (725 mm)	16.6 in (421 mm)	12.0 in (304 mm)
1851AN65GP	18 in (450 mm)	35.4 in (900 mm)	20.7 in (525 mm)	14.8 in (375 mm)
2451AN65GP	24 in (600 mm)	41.1 in (1043 mm)	23.7 in (602 mm)	17.4 in (441 mm)



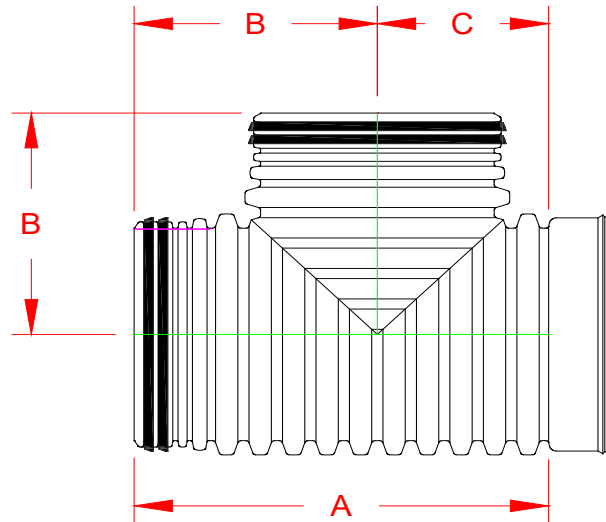
NOTE: ALL FITTINGS DIMENSIONS ARE FOR REFERENCE ONLY



DRAWING #:	13225	
DRAWN BY:	TJR	10/13/2016
APPROVED BY:		
REVISIONS:		

**HP STORM DUAL WALL FABRICATED "WATER TIGHT" "IN-LINE SPIGOT END"
SINGLE MANIFOLD 21" & 36" - 60" DIAMETER**

PART #	PIPE SIZE	A	B	C
2151AN65GP	21 in (525 mm)	41.7 in (1060 mm)	25.2 in (639 mm)	16.6 in (421 mm)
3051AN65GP	30 in (750 mm)	55.6 in (1412 mm)	33.6 in (854 mm)	22.0 in (558 mm)
3651AN65GP	36 in (900 mm)	65.0 in (1652 mm)	38.2 in (969 mm)	26.9 in (682 mm)
4251AN65GP	42 in (1050 mm)	73.7 in (1871 mm)	43.4 in (1101 mm)	30.3 in (770 mm)
4851AN65GP	48 in (1200 mm)	82.6 in (2099 mm)	47.9 in (1216 mm)	34.8 in (883 mm)
6051AN65GP	60 in (1500 mm)	97.3 in (2470 mm)	57.2 in (1454 mm)	40.0 in (1017 mm)



NOTE: ALL FITTINGS DIMENSIONS ARE FOR REFERENCE ONLY

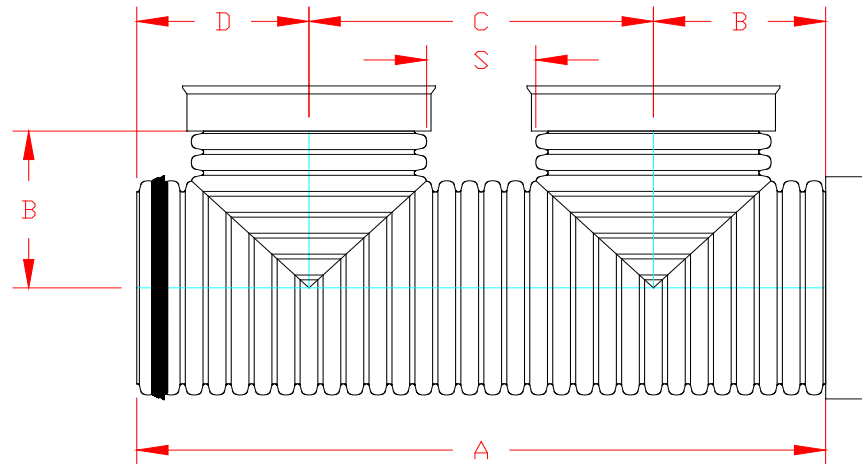
© 2021 Advanced Drainage Systems, Inc.



DRAWING #:	13250	
DRAWN BY:	TJR	10/13/2016
APPROVED BY:		
REVISIONS:		

**HP STORM DUAL WALL FABRICATED "WATER TIGHT" "BELL END"
DOUBLE MANIFOLD 12" - 18" & 24" DIAMETER**

PART #	PIPE SIZE	A	B	C	D	S
1252AN65BP	12 in (300 mm)	47.3 in (1200 mm)	9.8 in (250 mm)	23.6 in (600 mm)	13.8 in (350 mm)	9.1 in (230 mm)
1552AN65BP	15 in (375 mm)	56.9 in (1446 mm)	12.0 in (304 mm)	28.4 in (721 mm)	16.6 in (421 mm)	10.7 in (271 mm)
1852AN65BP	18 in (450 mm)	70.9 in (1801 mm)	14.8 in (375 mm)	35.4 in (900 mm)	20.7 in (525 mm)	14.1 in (357 mm)
2452AN65BP	24 in (600 mm)	82.2 in (2087 mm)	17.4 in (441 mm)	41.1 in (1043 mm)	23.7 in (602 mm)	12.6 in (321 mm)



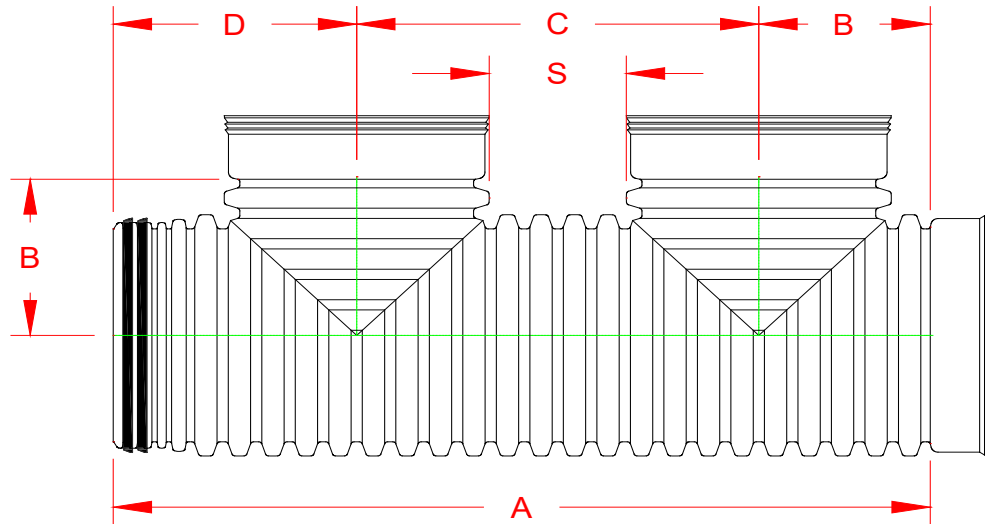
BELL END GASKET NOT INCLUDED WITH FITTING PLEASE ORDER SEPARATELY.

NOTE: ALL FITTINGS DIMENSIONS ARE FOR REFERENCE ONLY

 Advanced Drainage Systems, Inc.	DRAWING #:	13275
	DRAWN BY:	TJR 10/13/2016
	APPROVED BY:	
	REVISIONS:	

**HP STORM DUAL WALL FABRICATED "WATER TIGHT" "IN-LINE BELL END"
DOUBLE MANIFOLD 21" & 30" - 60" DIAMETER**

PART #	PIPE SIZE	A	B	C	D	S
2152AN65BP	21 in (525 mm)	83.2 in (2113 mm)	16.6 in (421 mm)	41.5 in (1053 mm)	25.2 in (639 mm)	16.7 in (425 mm)
3052AN65BP	30 in (750 mm)	110.0 in (2795 mm)	22.0 in (558 mm)	54.4 in (1381 mm)	33.7 in (856 mm)	18.9 in (481 mm)
3652AN65BP	36 in (900 mm)	128.0 in (3252 mm)	26.9 in (682 mm)	63.0 in (1601 mm)	38.2 in (969 mm)	21.5 in (546 mm)
4252AN65BP	42 in (1050 mm)	145.9 in (3705 mm)	30.3 in (770 mm)	72.2 in (1833 mm)	43.4 in (1101 mm)	24.8 in (629 mm)
4852AN65BP	48 in (1200 mm)	166.8 in (4238 mm)	34.8 in (883 mm)	84.2 in (2139 mm)	47.9 in (1216 mm)	30.0 in (763 mm)
6052AN65BP	60 in (1500 mm)	194.0 in (4928 mm)	40.0 in (1017 mm)	96.8 in (2458 mm)	57.2 in (1454 mm)	29.7 in (754 mm)



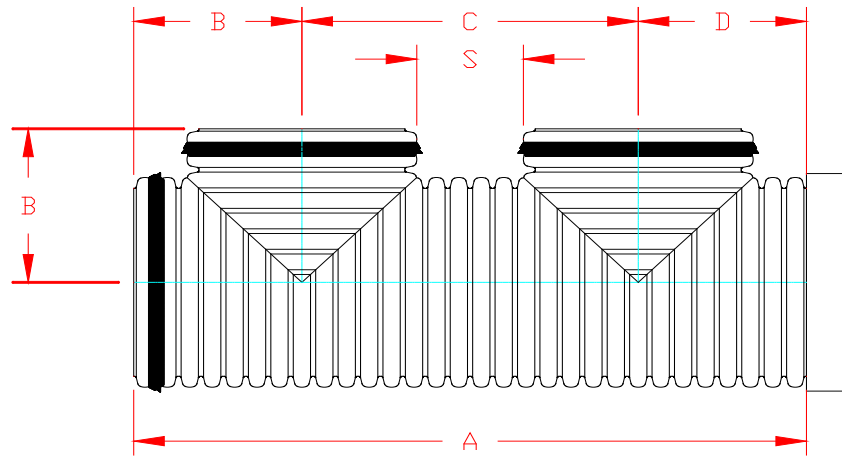
NOTE: ALL FITTINGS DIMENSIONS ARE FOR REFERENCE ONLY



DRAWING #:	13300	
DRAWN BY:	TJR	10/13/2016
APPROVED BY:		
REVISIONS:		

**HP STORM DUAL WALL FABRICATED "WATER TIGHT" "GASKET END"
DOUBLE MANIFOLD 12" - 18" & 24" DIAMETER**

PART #	PIPE SIZE	A	B	C	D	S
1252AN65GP	12 in (300 mm)	47.3 in (1201 mm)	13.8 in (350 mm)	23.6 in (600 mm)	9.8 in (250 mm)	9.1 in (230 mm)
1552AN65GP	15 in (375 mm)	56.9 in (1446 mm)	16.6 in (421 mm)	28.4 in (721 mm)	12.0 in (304 mm)	10.7 in (271 mm)
1852AN65GP	18 in (450 mm)	70.9 in (1801 mm)	20.7 in (525 mm)	35.4 in (900 mm)	14.8 in (375 mm)	14.1 in (357 mm)
2452AN65GP	24 in (600 mm)	82.2 in (2087 mm)	23.7 in (602 mm)	41.1 in (1043 mm)	17.4 in (441 mm)	12.6 in (321 mm)



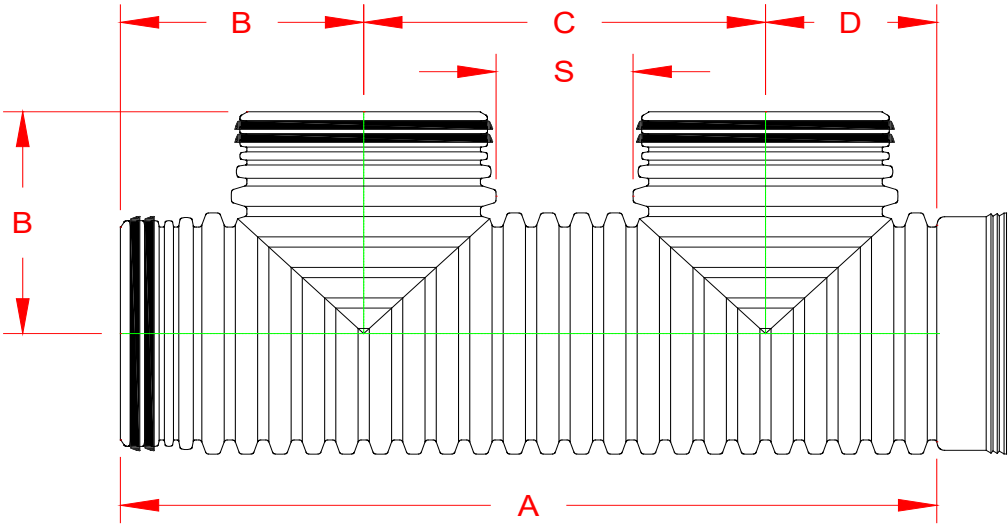
NOTE: ALL FITTINGS DIMENSIONS ARE FOR REFERENCE ONLY



DRAWING #:	13325	
DRAWN BY:	TJR	10/13/2016
APPROVED BY:		
REVISIONS:		

**HP STORM DUAL WALL FABRICATED "WATER TIGHT" "IN-LINE SPIGOT END"
DOUBLE MANIFOLD 21" & 30" - 60" DIAMETER**

PART #	PIPE SIZE	A	B	C	D	S
2152AN65GP	21 in (525 mm)	83.2 in (2113 mm)	25.2 in (639 mm)	41.5 in (1053 mm)	16.6 in (421 mm)	16.7 in (425 mm)
3052AN65GP	30 in (750 mm)	110.0 in (2795 mm)	33.6 in (854 mm)	54.4 in (1381 mm)	22.0 in (558 mm)	18.9 in (481 mm)
3652AN65GP	36 in (900 mm)	128.0 in (3252 mm)	38.2 in (969 mm)	63.0 in (1601 mm)	26.9 in (682 mm)	21.5 in (546 mm)
4252AN65GP	42 in (1050 mm)	145.9 in (3705 mm)	43.4 in (1101 mm)	72.2 in (1833 mm)	30.3 in (770 mm)	24.8 in (630 mm)
4852AN65GP	48 in (1200 mm)	166.8 in (4238 mm)	47.9 in (1216 mm)	84.2 in (2139 mm)	34.8 in (883 mm)	30.0 in (763 mm)
6052AN65GP	60 in (1500 mm)	194.0 in (4928 mm)	57.2 in (1454 mm)	96.8 in (2458 mm)	40.0 in (1017 mm)	29.7 in (754 mm)

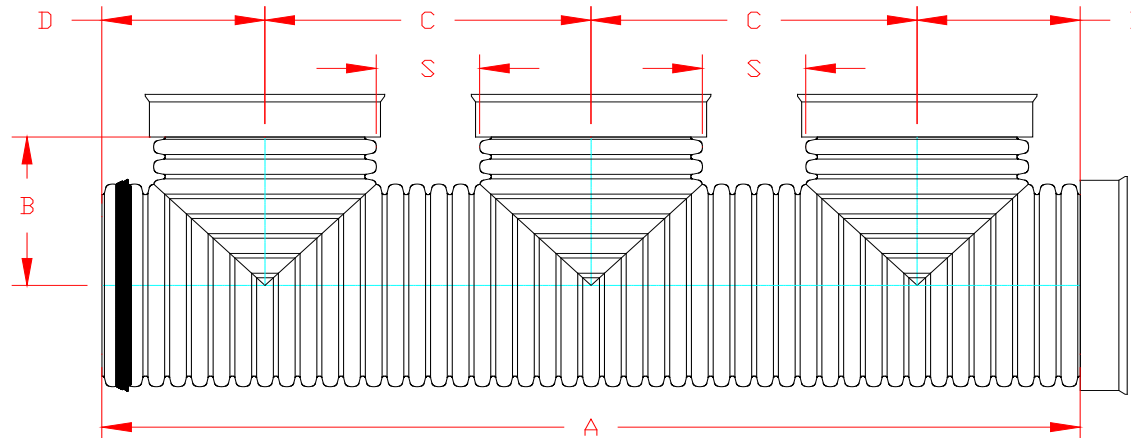


NOTE: ALL FITTINGS DIMENSIONS ARE FOR REFERENCE ONLY

 Advanced Drainage Systems, Inc.	DRAWING #:	13350	
	DRAWN BY:	TJR	10/13/2016
	APPROVED BY:		
	REVISIONS:		

**HP STORM DUAL WALL FABRICATED "WATER TIGHT" "BELL END"
TRIPLE MANIFOLD 12" - 18" & 24" DIAMETER**

PART #	PIPE SIZE	A	B	C	D	S
1253AN65BP	12 in (300 mm)	70.9 in (1800 mm)	9.8 in (250 mm)	23.6 in (600 mm)	13.8 in (350 mm)	9.1 in (230 mm)
1553AN65BP	15 in (375 mm)	85.3 in (2167 mm)	12.0 in (304 mm)	28.4 in (721 mm)	16.6 in (421 mm)	10.7 in (271 mm)
1853AN65BP	18 in (450 mm)	106.3 in (2701 mm)	14.8 in (375 mm)	35.4 in (900 mm)	20.7 in (525 mm)	14.1 in (357 mm)
2453AN65BP	24 in (600 mm)	123.3 in (3131 mm)	17.4 in (441 mm)	41.1 in (1044 mm)	23.7 in (602 mm)	12.6 in (321 mm)



BELL END GASKET NOT INCLUDED WITH FITTING PLEASE ORDER SEPARATELY.

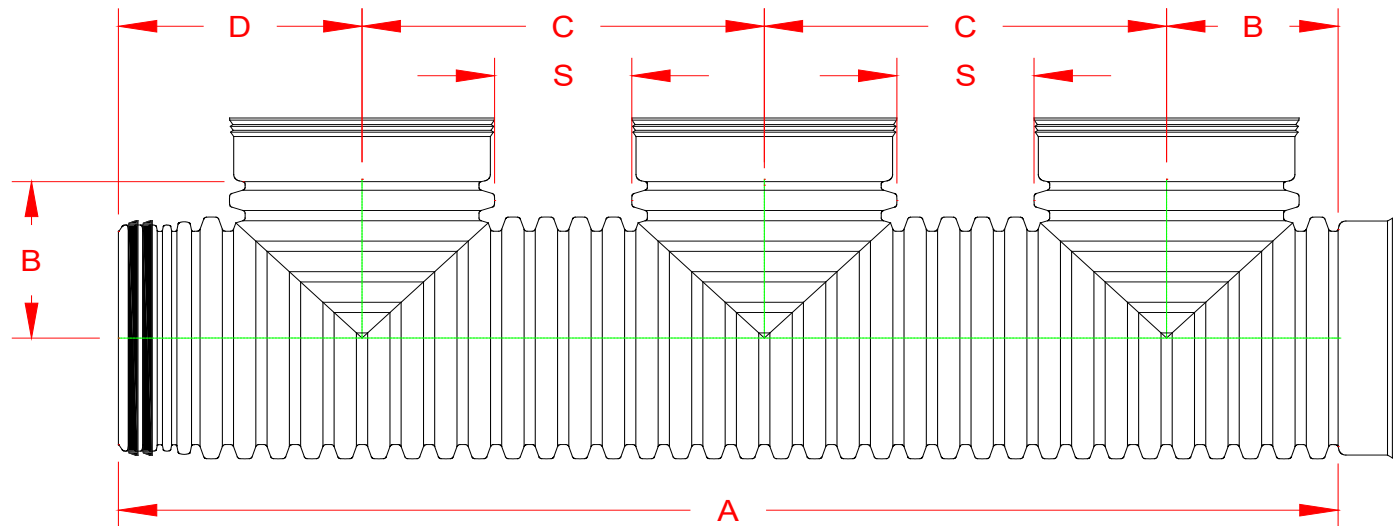
NOTE: ALL FITTINGS DIMENSIONS ARE FOR REFERENCE ONLY



DRAWING #:	13375	
DRAWN BY:	TJR	10/13/2016
APPROVED BY:		
REVISIONS:		

HP STORM DUAL WALL FABRICATED "WATER TIGHT" "IN-LINE BELL END"
TRIPLE MANIFOLD 21" & 30" - 36" DIAMETER

PART #	PIPE SIZE	A	B	C	D	S
2153AN65BP	21 in (525 mm)	124.6 in (3165 mm)	16.6 in (421 mm)	41.5 in (1053 mm)	25.2 in (639 mm)	16.7 in (425 mm)
3053AN65BP	30 in (750 mm)	164.4 in (4176 mm)	22.0 in (559 mm)	54.4 in (1381 mm)	33.7 in (856 mm)	18.9 in (481 mm)
3653AN65BP	36 in (900 mm)	191.1 in (4853 mm)	26.9 in (682 mm)	63.0 in (1601 mm)	38.2 in (969 mm)	21.5 in (546 mm)



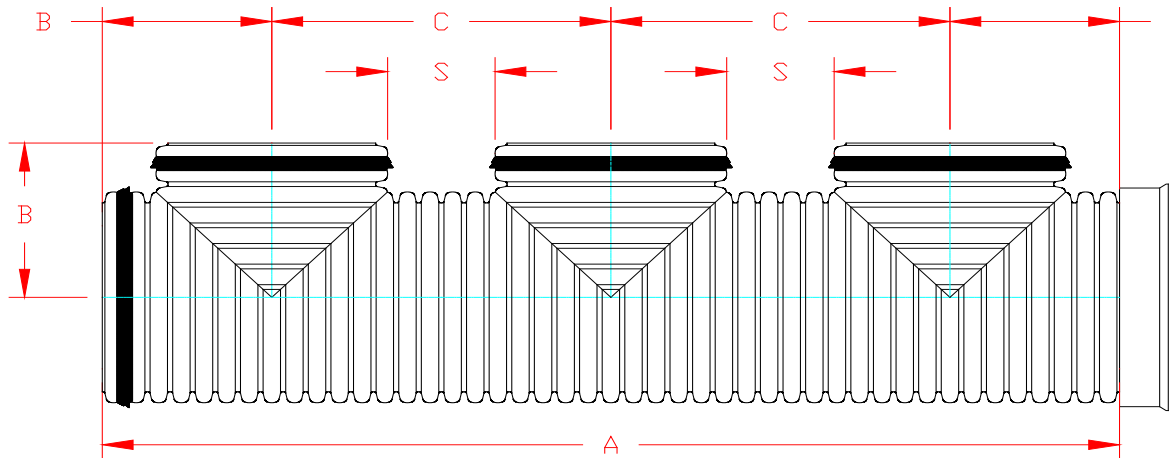
NOTE: ALL FITTINGS DIMENSIONS ARE FOR REFERENCE ONLY



DRAWING #:	13400	
DRAWN BY:	TJR	10/13/2016
APPROVED BY:		
REVISIONS:		

**HP STORM DUAL WALL FABRICATED "WATER TIGHT" "GASKET END"
TRIPLE MANIFOLD 12" - 18" & 24" DIAMETER**

PART #	PIPE SIZE	A	B	C	D	S
1253AN65GP	12 in (300 mm)	70.9 in (1800 mm)	13.8 in (350 mm)	23.6 in (600 mm)	9.8 in (250 mm)	9.1 in (230 mm)
1553AN65GP	15 in (375 mm)	85.3 in (2167 mm)	16.6 in (421 mm)	28.4 in (721 mm)	12.0 in (304 mm)	10.7 in (271 mm)
1853AN65GP	18 in (450 mm)	106.3 in (2701 mm)	20.7 in (525 mm)	35.4 in (900 mm)	14.8 in (375 mm)	14.1 in (357 mm)
2453AN65GP	24 in (600 mm)	123.3 in (3131 mm)	23.7 in (602 mm)	41.1 in (1043 mm)	17.4 in (441 mm)	12.6 in (321 mm)



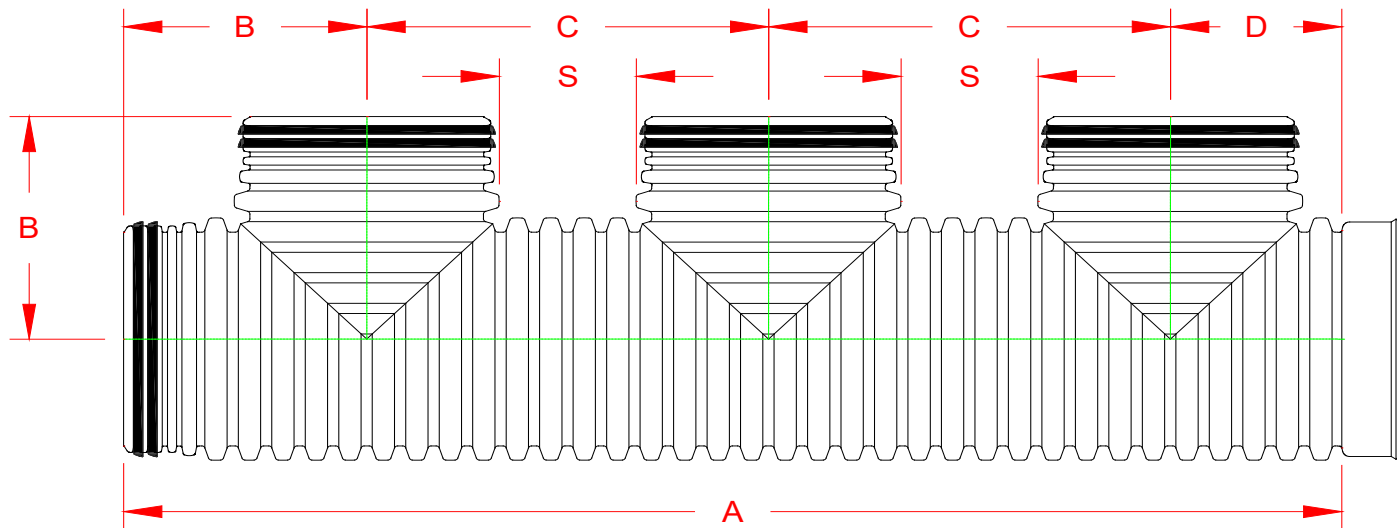
NOTE: ALL FITTINGS DIMENSIONS ARE FOR REFERENCE ONLY



DRAWING #:	13425	
DRAWN BY:	TJR	10/13/2016
APPROVED BY:		
REVISIONS:		

**HP STORM DUAL WALL FABRICATED "WATER TIGHT" "IN-LINE SPIGOT END"
TRIPLE MANIFOLD 21" & 30" - 36" DIAMETER**

PART #	PIPE SIZE	A	B	C	D	S
2153AN65GP	21 in (525 mm)	124.6 in (3165 mm)	25.2 in (639 mm)	41.5 in (1053 mm)	16.6 in (421 mm)	16.7 in (425 mm)
3053AN65GP	30 in (750 mm)	164.4 in (4176 mm)	33.7 in (856 mm)	54.4 in (1381 mm)	22.0 in (558 mm)	18.9 in (481 mm)
3653AN65GP	36 in (900 mm)	191.1 in (4853 mm)	38.2 in (969 mm)	63.0 in (1601 mm)	26.9 in (682 mm)	21.5 in (546 mm)

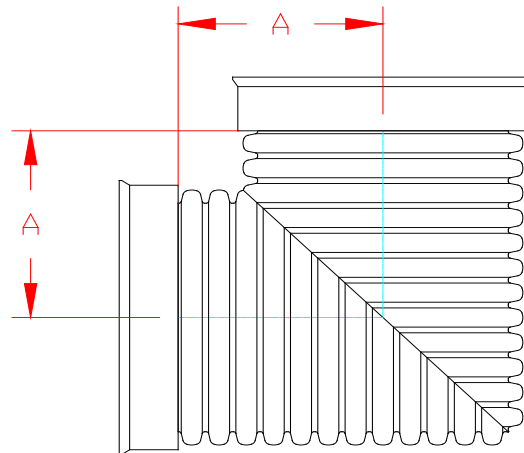


NOTE: ALL FITTINGS DIMENSIONS ARE FOR REFERENCE ONLY

	DRAWING #:	13450	
	DRAWN BY:	TJR	10/13/2016
	APPROVED BY:		
	REVISIONS:		

HP STORM DUAL WALL FABRICATED "WATER TIGHT" "BELL-BELL"
 90° MANIFOLD BEND 12" - 18" & 24" DIAMETER

PART #	PIPE SIZE	A
1298AN65BBP	12 in (300 mm)	9.8 in (250 mm)
1598AN65BBP	15 in (375 mm)	12.0 in (304 mm)
1898AN65BBP	18 in (450 mm)	14.8 in (375 mm)
2498AN65BBP	24 in (600 mm)	17.4 in (441 mm)



BELL END GASKET NOT INCLUDED WITH FITTING PLEASE ORDER SEPARATELY.

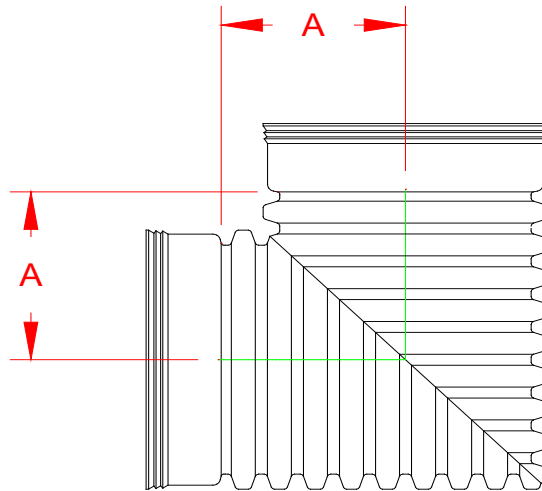
NOTE: ALL FITTINGS DIMENSIONS ARE FOR REFERENCE ONLY



DRAWING #:	13475	
DRAWN BY:	TJR	10/13/2016
APPROVED BY:		
REVISIONS:		

HP STORM DUAL WALL FABRICATED "WATER TIGHT" "IN-LINE BELL - IN-LINE BELL"
 90° MANIFOLD BEND 21" & 30" - 60" DIAMETER

PART #	PIPE SIZE	A
2198AN65BBP	21 in (525 mm)	17.1 in (434 mm)
3098AN65BBP	30 in (750 mm)	21.7 in (551 mm)
3698AN65BBP	36 in (900 mm)	26.9 in (682 mm)
4298AN65BBP	42 in (1050 mm)	29.9 in (760 mm)
4898AN65BBP	48 in (1200 mm)	34.8 in (883 mm)
6098AN65BBP	60 in (1500 mm)	40.1 in (1018 mm)



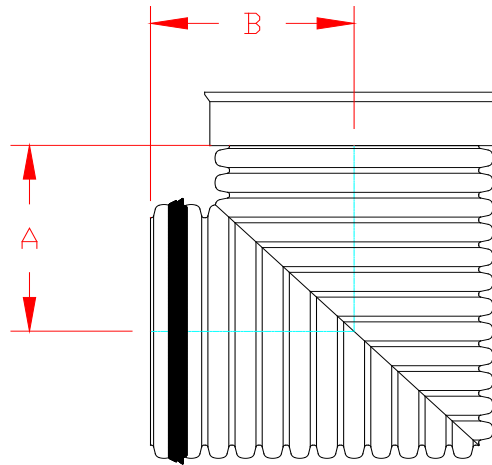
NOTE: ALL FITTINGS DIMENSIONS ARE FOR REFERENCE ONLY



DRAWING #:	13500	
DRAWN BY:	TJR	10/13/2016
APPROVED BY:		
REVISIONS:		

**HP STORM DUAL WALL FABRICATED "WATER TIGHT" "BELL - GASKET"
90° MANIFOLD BEND 12" - 18" & 24" DIAMETER**

PART #	PIPE SIZE	A	B
1298AN65BGP	12 in (300 mm)	9.8 in (250 mm)	13.8 in (350 mm)
1598AN65BGP	15 in (375 mm)	12.0 in (304 mm)	16.6 in (421 mm)
1898AN65BGP	18 in (450 mm)	14.8 in (375 mm)	20.7 in (525 mm)
2498AN65BGP	24 in (600 mm)	17.4 in (441 mm)	23.7 in (602 mm)



BELL END GASKET NOT INCLUDED WITH FITTING PLEASE ORDER SEPARATELY.

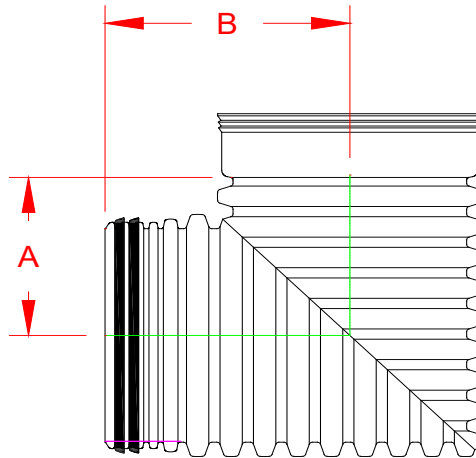
NOTE: ALL FITTINGS DIMENSIONS ARE FOR REFERENCE ONLY



DRAWING #:	13525	
DRAWN BY:	TJR	10/7/2016
APPROVED BY:		
REVISIONS:		

HP STORM DUAL WALL FABRICATED "WATER TIGHT" "IN-LINE BELL - IN-LINE SPIGOT"
 90° MANIFOLD BEND 21" & 30" - 60" DIAMETER

PART #	PIPE SIZE	A	B
2198AN65BGP	21 in (525 mm)	17.1 in (434 mm)	25.7 in (652 mm)
3098AN65BGP	30 in (750 mm)	22.0 in (558 mm)	33.6 in (854 mm)
3698AN65BGP	36 in (900 mm)	27.1 in (689 mm)	38.4 in (975 mm)
4298AN65BGP	42 in (1050 mm)	29.9 in (760 mm)	43.0 in (1091 mm)
4898AN65BGP	48 in (1200 mm)	34.8 in (883 mm)	47.9 in (1216 mm)
6098AN65BGP	60 in (1500 mm)	40.3 in (1024 mm)	57.5 in (1462 mm)



BELL END GASKET NOT INCLUDED WITH FITTING PLEASE ORDER SEPARATELY.

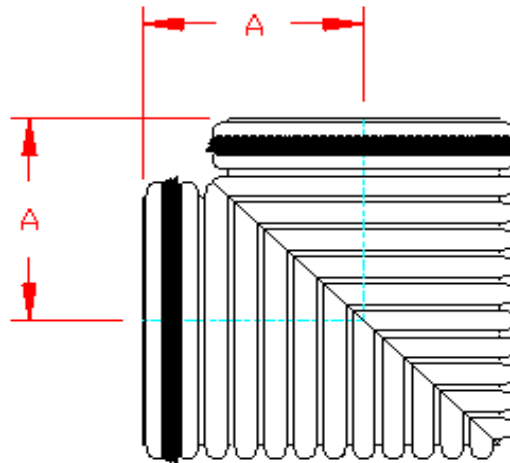
NOTE: ALL FITTINGS DIMENSIONS ARE FOR REFERENCE ONLY



DRAWING #:	13550	
DRAWN BY:	TJR	10/7/2016
APPROVED BY:		
REVISIONS:		

HP STORM DUAL WALL FABRICATED "WATER TIGHT" "GASKET-GASKET"
 90° MANIFOLD BEND 12" - 18" & 24" DIAMETER

PART #	PIPE SIZE	A
1298AN65GGP	12 in (300 mm)	13.8 in (351 mm)
1598AN65GGP	15 in (375 mm)	16.6 in (422 mm)
1898AN65GGP	18 in (450 mm)	20.6 in (523 mm)
2498AN65GGP	24 in (600 mm)	23.6 in (600 mm)



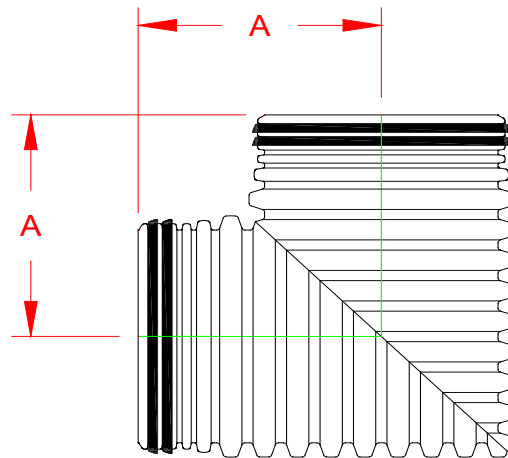
NOTE: ALL FITTINGS DIMENSIONS ARE FOR REFERENCE ONLY



DRAWING #:	13575	
DRAWN BY:	TJR	10/13/2016
APPROVED BY:		
REVISIONS:		

HP STORM DUAL WALL FABRICATED "WATER TIGHT" "IN-LINE SPIGOT - IN-LINE SPIGOT"
 90° MANIFOLD BEND 21" & 30" - 60" DIAMETER

PART #	PIPE SIZE	A
2198AN65GGP	21 in (525 mm)	25.7 in (652 mm)
3098AN65GGP	30 in (750 mm)	33.6 in (854 mm)
3698AN65GGP	36 in (900 mm)	38.2 in (969 mm)
4298AN65GGP	42 in (1050 mm)	43.0 in (1091 mm)
4898AN65GGP	48 in (1200 mm)	47.9 in (1216 mm)
6098AN65GGP	60 in (1500 mm)	57.5 in (1461 mm)



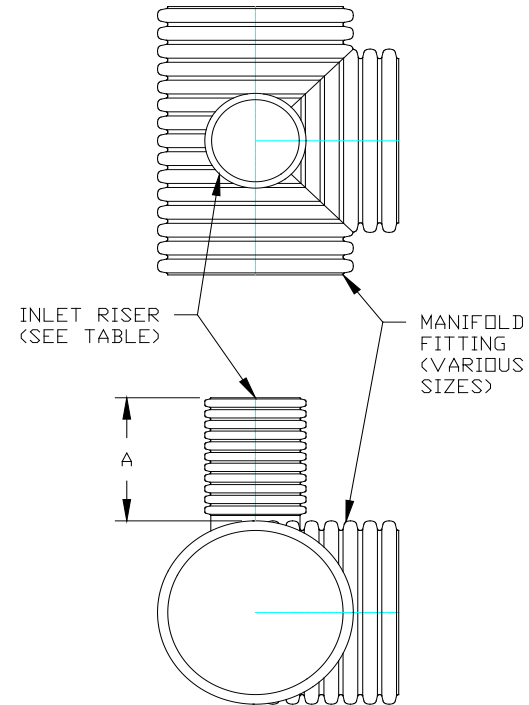
NOTE: ALL FITTINGS DIMENSIONS ARE FOR REFERENCE ONLY



DRAWING #:	13600	
DRAWN BY:	TJR	10/13/2016
APPROVED BY:		
REVISIONS:		

HP STORM DUAL WALL FABRICATED MANIFOLD INLET RISER

PART #	PIPE SIZE	A
1203ANP	12 in (300 mm)	24.0 in (610 mm)
1503ANP	15 in (375 mm)	36.0 in (914 mm)
1803ANP	18 in (450 mm)	36.0 in (914 mm)
2403ANP	24 in (600 mm)	36.0 in (914 mm)



This component item can only be ordered with standard manifold fittings or standard pipe. When ordering this component item, be sure to include shop drawing showing the location of inlet riser on standard manifold or pipe product.

Contact your local sales representative for acceptable size combinations, ie 48" manifold fitting with a 24" riser. **Not all combinations of inlet riser on standard manifold or pipe product are allowed.**

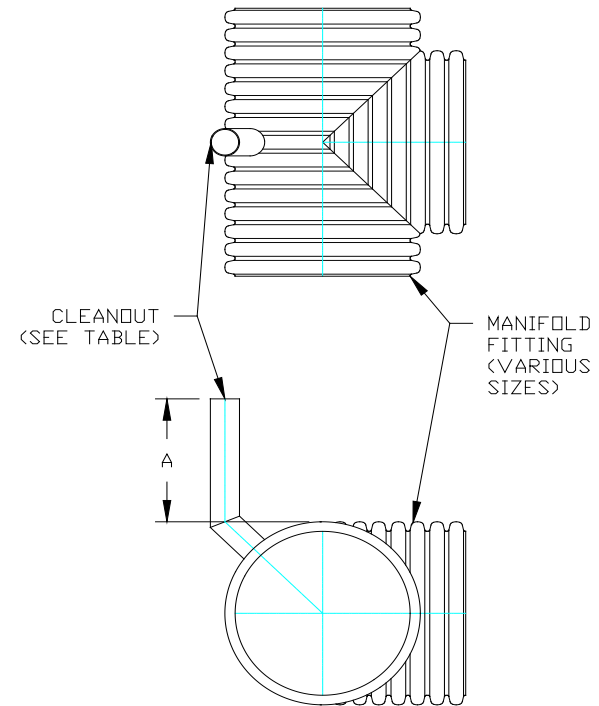
NOTE: ALL FITTINGS DIMENSIONS ARE FOR REFERENCE ONLY

 Advanced Drainage Systems, Inc.	DRAWING #:	13625	
	DRAWN BY:	TJR	12/14/2016
	APPROVED BY:		
	REVISIONS:		

HP STORM DUAL WALL FABRICATED MANIFOLD CLEANOUT RISER

PART #	PIPE SIZE	A
0402ANP	4 in (100 mm)	36.0 in (914 mm)
0602ANP	6 in (150 mm)	36.0 in (914 mm)
0802ANP	8 in (200 mm)	36.0 in (914 mm)

This component item can only be ordered with standard manifold fittings or standard pipe. When ordering this component item, be sure to include shop drawing showing the location of cleanout riser on standard manifold.

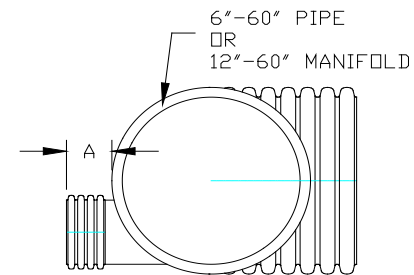
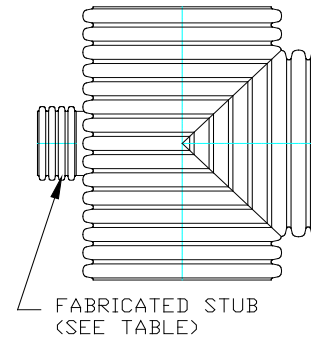


NOTE: ALL FITTINGS DIMENSIONS ARE FOR REFERENCE ONLY

 Advanced Drainage Systems, Inc.	DRAWING #:	13650
	DRAWN BY:	TJR 10/13/2016
	APPROVED BY:	
	REVISIONS:	

HP STORM DUAL WALL FABRICATED STUB

PART #	PIPE SIZE	A
1206ANP	12 in (300 mm)	12.0 in (305 mm)
1506ANP	15 in (375 mm)	16.0 in (406 mm)
1806ANP	18 in (450 mm)	16.0 in (406 mm)
2406ANP	24 in (600 mm)	16.0 in (406 mm)



This component item can only be ordered with standard manifold fittings or standard pipe. When ordering this component item, be sure to include shop drawing showing the location of stub on standard manifold or pipe product.

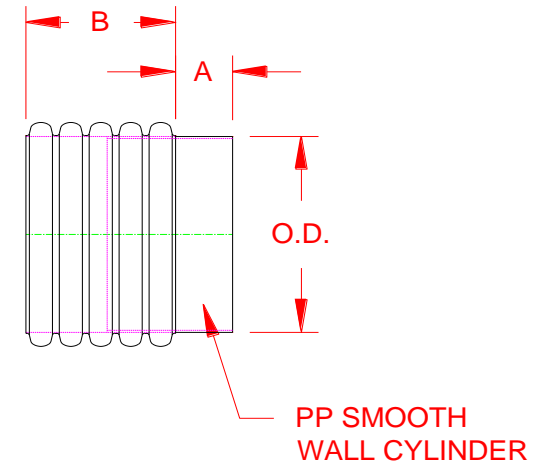
Contact your local sales representative for acceptable size combinations, ie 48" manifold fitting with a 24" stub. **Not all combinations of stub on standard manifold or pipe product are allowed.**

NOTE: ALL FITTINGS DIMENSIONS ARE FOR REFERENCE ONLY

 Advanced Drainage Systems, Inc.	DRAWING #:	13675
	DRAWN BY:	TJR 12/14/2016
	APPROVED BY:	
	REVISIONS:	

**HP STORM HP DUAL WALL DISSIMILAR MATERIAL
ADAPTER FITTING (PLAIN END)**

PART #	PIPE SIZE	A	B	OD
1221ANP	12 in (300 mm)	6.0 in (152 mm)	11.8 in (299 mm)	12.1 in (307 mm)
1521ANP	15 in (375 mm)	6.0 in (152 mm)	13.1 in (333 mm)	15.0 in (381 mm)
1821ANP	18 in (450 mm)	6.0 in (152 mm)	13.2 in (16 mm)	18.0 in (457 mm)
2421ANP	24 in (600 mm)	8.0 in (203 mm)	15.9 in (404 mm)	24.0 in (610 mm)
3021ANP	30 in (750 mm)	10.0 in (254 mm)	19.9 in (505 mm)	30.0 in (762 mm)
3621ANP	36 in (900 mm)	10.0 in (254 mm)	26.2 in (666 mm)	36.0 in (914 mm)
4221ANP	42 in (1050 mm)	10.0 in (254 mm)	25.7 in (653 mm)	41.3 in (1049 mm)
4821ANP	48 in (1200 mm)	10.0 in (254 mm)	26.2 in (665 mm)	47.6 in (1209 mm)
6021ANP	60 in (1500 mm)	10.0 in (254 mm)	30.4 in (773 mm)	59.5 in (1511 mm)



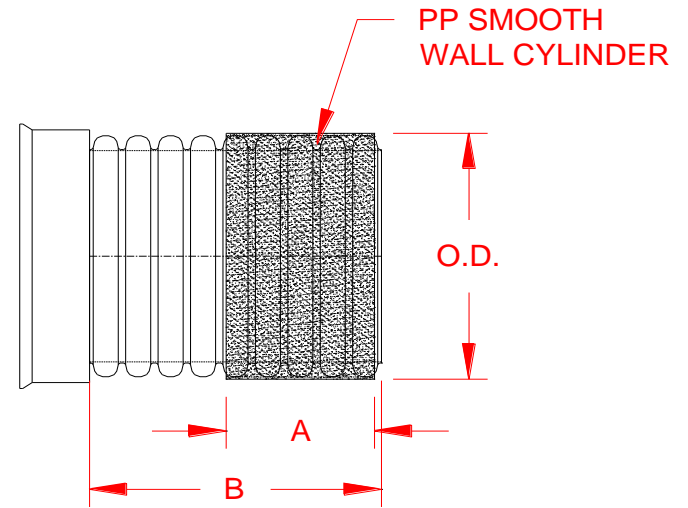
NOTE: ALL DIMENSIONS ARE NOMINAL

© 2021 Advanced Drainage Systems, Inc.

 Advanced Drainage Systems, Inc.	DRAWING #:	HP 14000
	DRAWN BY:	TJR 10/21/2009
	APPROVED BY:	
	REVISIONS:	TJR 7/20/2016

**HP STORM DUAL WALL TO RCP MANHOLE ADAPTER FITTING (BELL END)
WATER TIGHT CONNECTION**

PART #	PIPE SIZE	A	B	OD
1222ANBP	12 in (300 mm)	12.0 in (305 mm)	49.0 in (1245 mm)	14.8 in (376 mm)
1522ANBP	15 in (375 mm)	14.5 in (368 mm)	48.8 in (1239 mm)	18.1 in (459 mm)
1822ANBP	18 in (450 mm)	19.5 in (495 mm)	47.6 in (1208 mm)	21.8 in (554 mm)
2422ANBP	24 in (600 mm)	23.3 in (591 mm)	47.7 in (1212 mm)	28.9 in (733 mm)



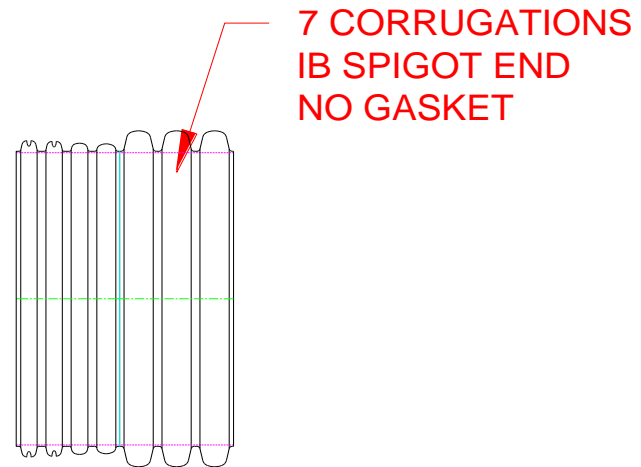
NOTE:
REQUIRES SERIES 65 GASKET (INCLUDED)
IN FIELD TO MAKE WT CONNECTION

NOTE: ALL DIMENSIONS ARE NOMINAL
© 2021 Advanced Drainage Systems, Inc.

	DRAWING #:	HP 14100
	DRAWN BY:	TJR 10/21/2009
	APPROVED BY:	
	REVISIONS:	TJR 7/20/2016

HP STORM DUAL WALL
12" - 60" JOINT PUSHER

PART #	PIPE SIZE
1208ANP	12 in (300 mm)
1508ANP	15 in (375 mm)
1808ANP	18 in (450 mm)
2408ANP	24 in (600 mm)
3008ANP	30 in (750 mm)
3608ANP	36 in (900 mm)
4208ANP	42 in (1050 mm)
4808ANP	48 in (12000 mm)
6008ANP	60 in (1500 mm)



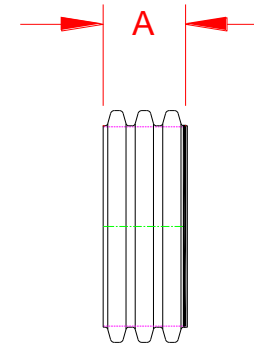
NOTE:
REQUIRES SERIES 65 GASKET (INCLUDED)
IN FIELD TO MAKE WT CONNECTION

NOTE: ALL DIMENSIONS ARE NOMINAL
© 2021 Advanced Drainage Systems, Inc.

	DRAWING #:	HP 14200
	DRAWN BY:	TJR 2/10/2010
	APPROVED BY:	
	REVISIONS:	TJR 7/20/2016

**HP STORM DUAL WALL FABRICATED END CAPS
12" - 60" (PLAIN END)**

PART #	PIPE SIZE	A
1201ANP	12 in (300 mm)	11.8 in (299 mm)
1501ANP	15 in (375 mm)	13.1 in (333 mm)
1801ANP	18 in (450 mm)	13.2 in (336 mm)
2401ANP	24 in (600 mm)	12.7 in (323 mm)
3001ANP	30 in (750 mm)	11.9 in (303 mm)
3601ANP	36 in (900 mm)	15.7 in (400 mm)
4201ANP	42 in (1050 mm)	15.4 in (391 mm)
4801ANP	48 in (12000 mm)	15.7 in (399 mm)
6001ANP	60 in (1500 mm)	18.0 in (457 mm)



NOTE: ALL DIMENSIONS ARE NOMINAL

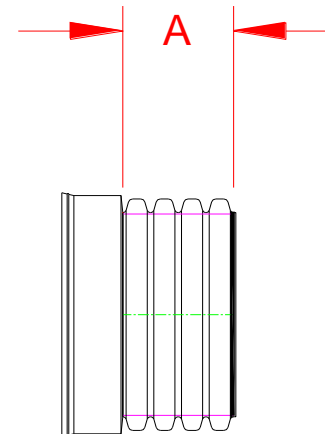
© 2021 Advanced Drainage Systems, Inc.



DRAWING #:	HP 14300	
DRAWN BY:	TJR	8/24/2010
APPROVED BY:		
REVISIONS:	TJR	7/20/2016

**HP STORM DUAL WALL FABRICATED END CAPS
12" - 24" (BELL END)**

PART #	PIPE SIZE	A
1201AN65BP	12 in (300 mm)	11.8 in (299 mm)
1501AN65BP	15 in (375 mm)	13.1 in (333 mm)
1801AN65BP	18 in (450 mm)	13.2 in (336 mm)
2401AN65BP	24 in (600 mm)	12.7 in (323 mm)



GASKET INCLUDED

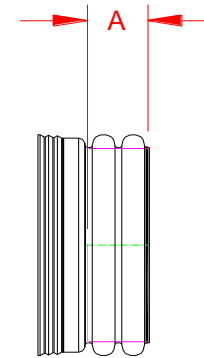
NOTE: ALL DIMENSIONS ARE NOMINAL

© 2021 Advanced Drainage Systems, Inc.

	DRAWING #:	HP 14400
	DRAWN BY:	TJR 8/25/2010
	APPROVED BY:	
	REVISIONS:	TJR 7/20/2016


**HP STORM DUAL WALL FABRICATED END CAPS
30" - 60" DIAMETER (IB BELL)**

PART #	PIPE SIZE	A	JOINT
3001AN65BP	30 in (750 mm)	9.4 in (238 mm)	WT
3601AN65BP	36 in (900 mm)	10.7 in (273 mm)	WT
4201AN65BP	42 in (1050 mm)	16.0 in (406 mm)	WT
4801AN65BP	48 in (1200 mm)	15.7 in (399 mm)	WT
6001AN65BP	60 in (1500 mm)	18.0 in (457 mm)	WT



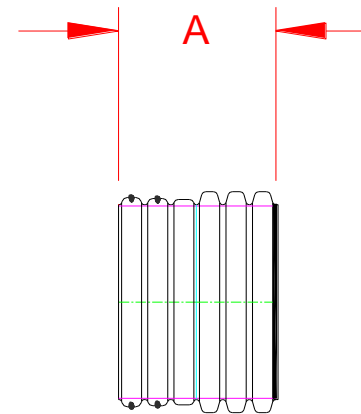
NOTE: ALL FITTINGS DIMENSIONS ARE FOR REFERENCE ONLY

© 2021 Advanced Drainage Systems, Inc.

 Advanced Drainage Systems, Inc.	DRAWING #:	HP 14500
	DRAWN BY:	TJR 8/25/2010
	APPROVED BY:	
	REVISIONS:	TJR 7/20/2016

**HP STORM DUAL WALL FABRICATED END CAPS
30" - 60" DIAMETER (IB SPIGOT)**

PART #	PIPE SIZE	A	JOINT
3001AN65GP	30 in (750 mm)	22.1 in (562 mm)	WT
3601AN65GP	36 in (900 mm)	25.8 in (656 mm)	WT
4201AN65GP	42 in (1050 mm)	24.9 in (633 mm)	WT
4801AN65GP	48 in (1200 mm)	26.3 in (669 mm)	WT
6001AN65GP	60 in (1500 mm)	32.2 in (817 mm)	WT



WT (INCLUDES 2 GASKETS)

NOTE: ALL FITTINGS DIMENSIONS ARE FOR REFERENCE ONLY

© 2021 Advanced Drainage Systems, Inc.

	DRAWING #:	HP 14600
	DRAWN BY:	TJR 8/25/2010
	APPROVED BY:	
	REVISIONS:	TJR 7/20/2016