

Stretch Fit Pipe Flashing

OVERVIEW

TRI-BUILT[®] Stretch Fit requires no adjustment, no cutting and no tearing.



FEATURES

- UV and Extreme Cold Resistant
- Built in water deflectors
- Fits roof pitches from 2/12 to 12/12
- Patent Pending

ONE SIZE FITS

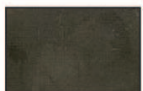
1.5" - 2"
Pipe Sizes

ONE SIZE FITS

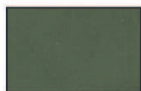
3" - 4"
Pipe Sizes



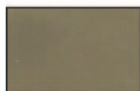
The Only Flashing Available in a Selection of Colors.



Bl-Black



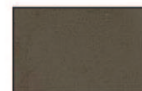
G-Green



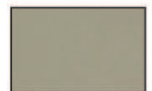
WW-Weatherwood



W-White



BR-Brown



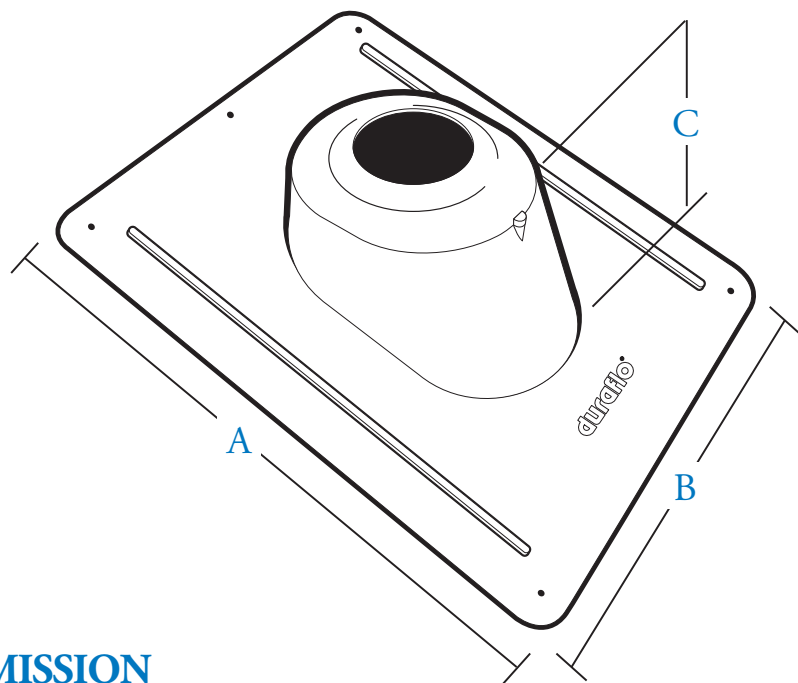
GR-Gray

SPECIFICATIONS

COLOR	PART #	CTN. QTY.	WT.CTN. (LBS.)
PIPE SIZE 1.5" TO 2"			
Black	88870110	12	6
Brown	88870120	12	6
Gray	88870130	12	6
Green	88870140	12	6
Weatherwood	88870150	12	6
White	88870160	12	6

COLOR	PART #	CTN. QTY.	WT.CTN. (LBS.)
PIPE SIZE 3" TO 4"			
Black	88870170	12	9
Brown	88870180	12	9
Gray	88870190	12	9
Green	88870200	12	9
Weatherwood	88870210	12	9
White	88870220	12	9

Our newly engineered material can stretch beyond 200% to accommodate a wide variety of pipe sizes. Installers no longer have to carry multiple size flashings or pull inferior materials risking poor pipe seals. With the 1.5" - 2" or the 3" - 4" Stretch Fit you simply push the flashing opening over the vent pipe, attach the flange to the roof and install the shingles. No adjustment to the product is required meaning less time spent during installation and a perfect seal every time.



DIMENSIONS

1.5" - 2" Pipe Size	3" - 4" Pipe Size
A: 15"	A: 18"
B: 13"	B: 16.25"
C: 3.5"	C: 4.5"

MISSION

The TRI-BUILT® brand is synonymous with quality products for the construction industry. Our wide assortment of building materials can be found throughout the United States and are used by leading contractors and builders who are committed to quality construction. As industries evolve, opportunities typically arise in developing markets utilizing new technologies. As a leader in roofing technology, TRI-BUILT® MATERIALS GROUP, LLC constantly searches for and evaluates opportunities to provide it's customers with new and unique solutions. Through established partnerships, TRI-BUILT® MATERIALS GROUP, LLC utilizes the best research and development combined with state of the art technology to ensure quality solutions for our customers. It is this commitment to excellence that brings quality to our name.