

Galvanized Steel Bead Accessories for Stucco and Plaster Installations

Project Submittals as manufactured by
ALABAMA METAL INDUSTRIES CORPORATION

Submittal Date:

Contract Number:

Project Name:

Section Number:

Contractor's Name:

All information contained herein is accurate as known at the time of publication. Specifications may change and AMICO reserves the right to change product specifications without notice and without incurring obligations.

ALABAMA METAL INDUSTRIES CORPORATION

3245 Fayette Avenue ♦ Birmingham, AL 35208 ♦ Telephone 800/366-2642 ♦ Facsimile 205/786-6527
email fmayer@gibraltar1.com

August 2010



Lathing Accessories

for galvanized steel and zinc alloys meeting ASTM C1063

SCOPE

This submittal covers lathing accessories installed with interior and exterior Portland Cement-Based Plaster. All accessories shall have perforated or expanded flanges to permit complete embedment in the plaster, to provide for accurate alignment, and to secure attachment of the accessory to the underlying surface in receiving the specified thickness of plaster. The selection of the accessory shall be determined by numerous factors not limited to: the project location, climate and environment resulting from excessive salt, moisture, humidity, pollution, wear and temperature changes.

MATERIALS

Galvanized Steel and Zinc Alloy

THICKNESS OF BASE MATERIALS

These minimum thicknesses meet both ASTM C841 and ASTM C1063.

Steel (prior to galvanizing): 0.0172 inch

Zinc Alloy: 0.0207 inch

FINISH

Galvanized Steel shall have G60 coating

Zinc Alloy shall be mill finish

PACKAGING AND PACKAGE MARKING

Generally available in 8-ft and 10-ft long lengths. Longest possible lengths shall always be installed to avoid joints. Each factory box shall be marked with manufacturer's name, and style of lathing accessory.

CERTIFICATION

When required a certification that products meets the requirements of ASTM C1063 and ASTM C841 shall be provided.

AMICO LATH AND STUCCO ACCESSORIES MEETS THE FOLLOWING SPECIFICATIONS

ASTM A653 - Standard Specification for Steel Sheet, Zinc-Coated (Galvanized)

ASTM B69 Standard Specification for Rolled Zinc

ASTM C847 - Standard Specification for Expanded Metal Lath

ASTM C1063 Standard Specification for Installation of Lathing and Furring to Receive Interior and Exterior Portland Cement-Based Plaster

Made in the United States of America

Meets Buy American Procurement Requirements.

All information contained herein is accurate as known at the time of publication. Specifications may change and AMICO reserves the right to change product specifications without notice and without incurring obligations.

ALABAMA METAL INDUSTRIES CORPORATION

3245 Fayette Avenue ♦ Birmingham, AL 35208 ♦ Telephone 800/366-2642 ♦ Facsimile 205/786-6527

email fmayer@gibraltar1.com

August 2010



X-1 CORNER BEAD Galvanized Steel 3" Expanded Metal Flanges

FOR STUCCO AND PLASTER INSTALLATIONS.
This is the standard metal accessory for providing exterior corner protection from bumping and providing a reliably straight ground for screeding. The 3" expanded mesh wings are easily flexed to adapt to framing irregularities and to match appropriate screed heights.

Submitted Product	Product Number	Product Dimensions
	X-1	3" x 3"
Standard Package Lengths are 10-ft.		

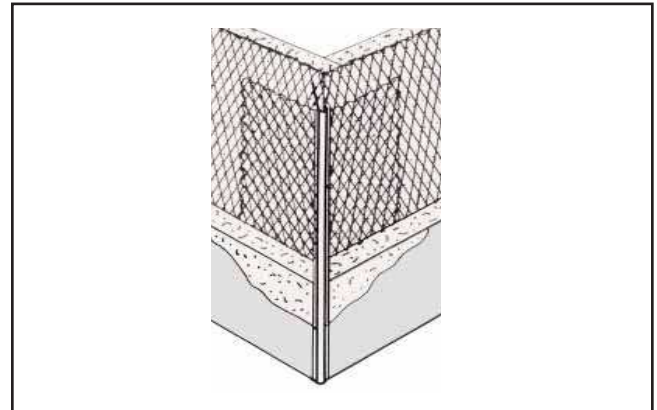
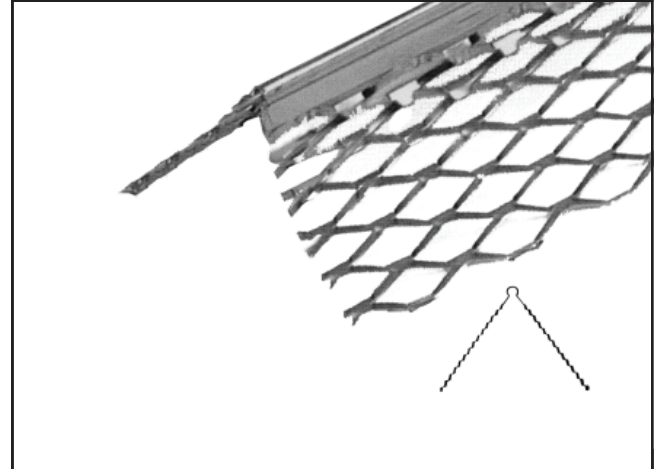
DESCRIPTION

Corner Bead is an external corner reinforcement accessory made by expanding metal and bent to reinforce portland cement stucco at external corners and to also establish grounds. X-1 Corner Beads for outside corners have a smooth round nose bead with Diamond Mesh wings for the keying of plaster right up to the nose of the bead.

MATERIALS

G60 Galvanized Steel to ASTM A653 with a minimum thickness (0.0172 inch) prior to galvanizing to meet or exceed ASTM C1063.

AMICO RECOMMENDS THE USE OF ACCESSORIES MADE FROM ZINC ALLOY, PVC AND OR STAINLESS STEEL MATERIALS FOR ALL EXTERIOR APPLICATIONS.



REFERENCES

Meets IBC 2510 and IBC 2511
Refer to ASTM C1063 for support spacing, lath selection, fastener selection and further information regarding the proper installation of metal lath and accessories. AMICO recommends zinc alloy accessories for all exterior applications.
Meets Buy American Procurement Requirements
Made in the United States of America
LEED: both pre and post industrial recyclable content are available – contact the manufacturer.

All information contained herein is accurate as known at the time of publication. Specifications may change and AMICO reserves the right to change product specifications without notice and without incurring obligations.

ALABAMA METAL INDUSTRIES CORPORATION

3245 Fayette Avenue ♦ Birmingham, AL 35208 ♦ Telephone 800/366-2642 ♦ Facsimile 205/786-6527
email fmayer@gibraltar1.com



X-1-N NARROW CORNER BEAD Galvanized Steel 2½” Expanded Metal Flanges

FOR STUCCO AND PLASTER INSTALLATIONS

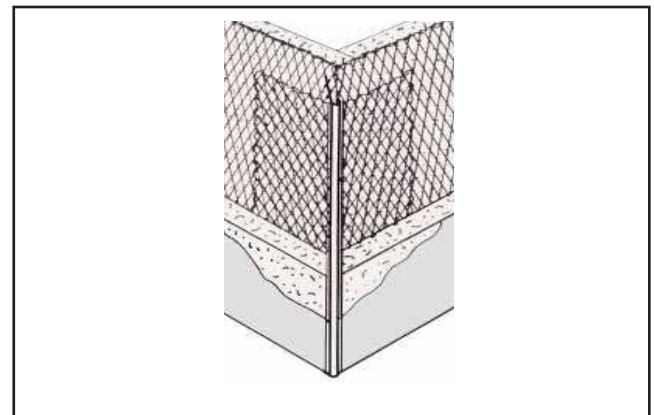
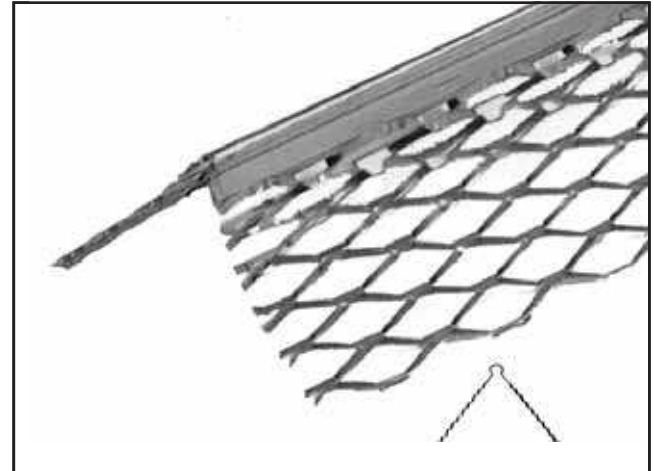
This is a narrower version of the standard metal accessory. Provides exterior corner protection from bumping and providing a reliably straight ground for screeding. The 2½” expanded mesh wings are easily flexed to adapt to framing irregularities and to match appropriate screed heights.

Submitted Product	Product Number	Product Dimensions
	X-1-N	2½” x 2½”
Standard Package Lengths are 8-ft. and 10-ft.		

DESCRIPTION

X-1-N Corner Bead is an external corner reinforcement accessory made by expanding metal and bent to reinforce portland cement stucco at external corners and to also establish grounds. X-1-N Corner Beads for outside corners have a smooth round nose bead with Diamond Mesh wings for the keying of plaster right up to the nose of the bead.

Especially recommended in fireproofing columns and beams. Rigid straight edge nose is easy to install and permits plumb straight outside corners. Excellent protection for corridor corners exposed to traffic. Sections can be joined or spliced together by inserting a finishing nail or a piece of hangar wire.



Meets IBC 2510 and IBC 2511
Refer to ASTM C1063 for support spacing, lath selection, fastener selection and further information regarding the proper installation of metal lath and accessories. AMICO recommends zinc alloy accessories for all exterior applications.
Meets Buy American Procurement Requirements
Made in the United States of America
LEED: both pre and post industrial recyclable content are available – contact the manufacturer.

All information contained herein is accurate as known at the time of publication. Specifications may change and AMICO reserves the right to change product specifications without notice and without incurring obligations.

ALABAMA METAL INDUSTRIES CORPORATION

3245 Fayette Avenue ♦ Birmingham, AL 35208 ♦ Telephone 800/366-2642 ♦ Facsimile 205/786-6527
email fmayer@gibraltar1.com

August 2010



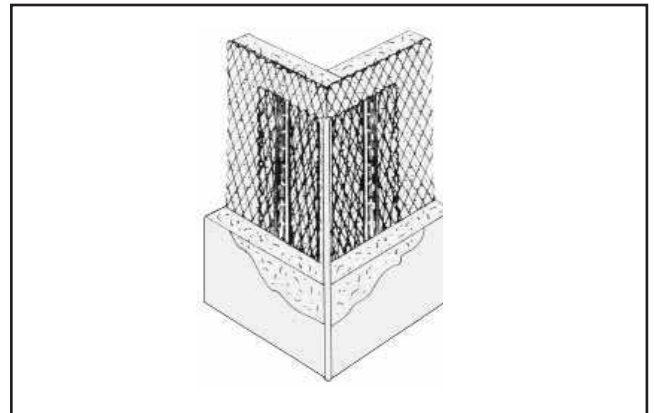
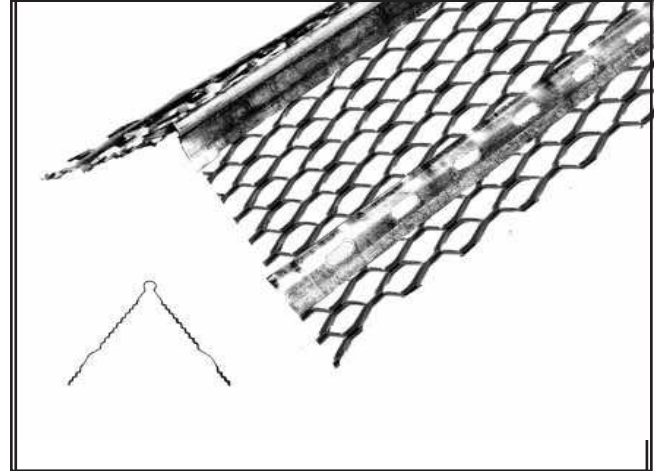
X-2 REINFORCED CORNER BEAD Galvanized Steel 3¼" Expanded Metal Flanges

FOR STUCCO AND PLASTER INSTALLATIONS.
This is a heavy reinforced metal corner bead for protecting exposed outside corners in commercial and institutional applications and providing a reliably straight ground for screeding. The 3¼" expanded mesh wings are reinforced with stiffener strips for added strength.

Submitted Product	Product Number	Product Dimensions
	X-2	3¼" x 3¼"
Standard Package Lengths are 10-ft.		

DESCRIPTION

X-2 Corner Bead is known for its superior strength an external corner reinforcement accessory made by expanding metal and bent to reinforce portland cement stucco at external corners and to also establish grounds. X-2 Corner Beads for outside corners have a smooth round nose bead with Diamond Mesh wings for the keying of plaster right up to the nose of the bead.



Meets IBC 2510 and IBC 2511
Refer to ASTM C1063 for support spacing, lath selection, fastener selection and further information regarding the proper installation of metal lath and accessories. AMICO recommends zinc alloy accessories for all exterior applications.
Meets Buy American Procurement Requirements
Made in the United States of America
LEED: both pre and post industrial recyclable content are available – contact the manufacturer.

All information contained herein is accurate as known at the time of publication. Specifications may change and AMICO reserves the right to change product specifications without notice and without incurring obligations.

ALABAMA METAL INDUSTRIES CORPORATION

3245 Fayette Avenue ♦ Birmingham, AL 35208 ♦ Telephone 800/366-2642 ♦ Facsimile 205/786-6527
email fmayer@gibraltar1.com

August 2010



CORNALATH

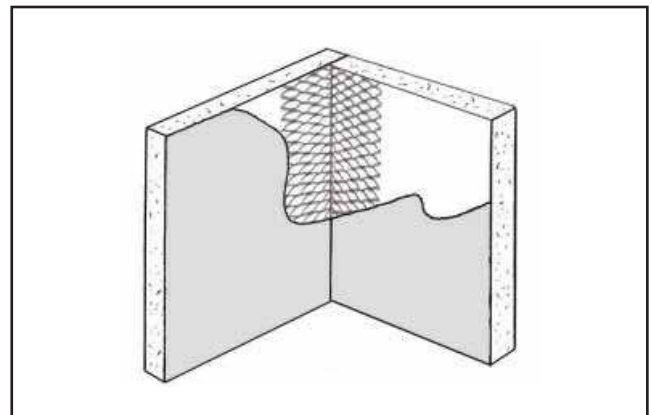
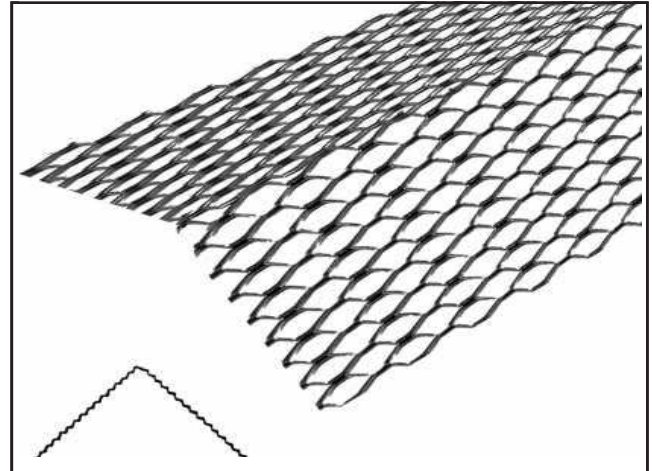
Galvanized Steel Expanded Metal Strips - Inside Corners FOR STUCCO AND PLASTER INSTALLATIONS

Cornalath is used in corners where walls intersect with adjacent walls or ceilings. The reinforcing of corners helps prevent cracks.

Submitted Product	Product Number	Product Dimensions
	CL-2-4	2" x 2" 4' long
	CL-2-8	2" x 2" 8' long
	CL-3-8	3" x 3" 8' long

DESCRIPTION

Preformed inside corners are factory bent to 105° to create resistance when installed in the transition area of wall and ceiling intersections.



Meets IBC 2510 and IBC 2511

Refer to ASTM C1063 for support spacing, lath selection, fastener selection and further information regarding the proper installation of metal lath and accessories. AMICO recommends zinc alloy accessories for all exterior applications.

Meets Buy American Procurement Requirements
Made in the United States of America

LEED: both pre and post industrial recyclable content are available – contact the manufacturer.

All information contained herein is accurate as known at the time of publication. Specifications may change and AMICO reserves the right to change product specifications without notice and without incurring obligations.

ALABAMA METAL INDUSTRIES CORPORATION

3245 Fayette Avenue ♦ Birmingham, AL 35208 ♦ Telephone 800/366-2642 ♦ Facsimile 205/786-6527
email fmayer@gibraltar1.com

August 2010



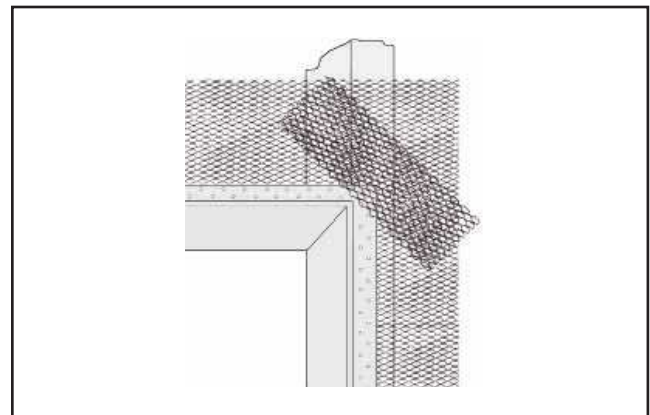
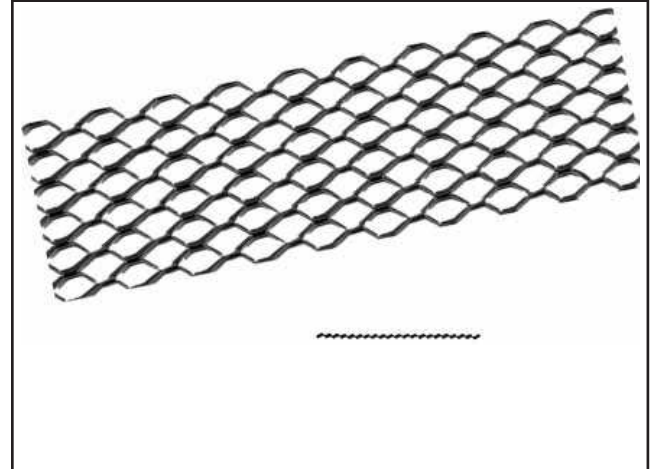
STRIPLATH Galvanized Steel Expanded Metal Strips

FOR STUCCO AND PLASTER INSTALLATIONS
Striplath is a diamond mesh lath product used to reinforce around the corners of doors and windows reducing stress cracks.

Submitted Product	Product Number	Product Dimensions
	SL-4	4" wide
	SL-6	6" wide
Standard Package Lengths are 8-ft.		

DESCRIPTION

Produced in 4-inch and 6-inch wide by 8-ft long strips with smooth edges. Striplath reduces cracking by reinforcing the plaster around door and window corners.



Meets IBC 2510 and IBC 2511
Refer to ASTM C1063 for support spacing, lath selection, fastener selection and further information regarding the proper installation of metal lath and accessories. AMICO recommends zinc alloy accessories for all exterior applications.
Meets Buy American Procurement Requirements
Made in the United States of America
LEED: both pre and post industrial recyclable content are available – contact the manufacturer.

All information contained herein is accurate as known at the time of publication. Specifications may change and AMICO reserves the right to change product specifications without notice and without incurring obligations.

ALABAMA METAL INDUSTRIES CORPORATION

3245 Fayette Avenue ♦ Birmingham, AL 35208 ♦ Telephone 800/366-2642 ♦ Facsimile 205/786-6527
email fmayer@gibraltar1.com

August 2010



X-66 CASING BEAD Galvanized Steel Expanded Metal Plaster Stop

FOR STUCCO AND PLASTER INSTALLATIONS

Casing Bead is used to terminate plaster or stucco around doors, windows and any other through wall penetration. Select the proper ground to aid in screeding the proper thickness of stucco.

Product Submittal	Product Number	Ground
	X-66	3/8"
	X-66	1/2"
	X-66	5/8"
	X-66	3/4"
	X-66	7/8"
	X-66	1"
	X-66	1 1/4"
	X-66	1 1/2"

Standard Package Length is 10-ft.

TOLERANCES

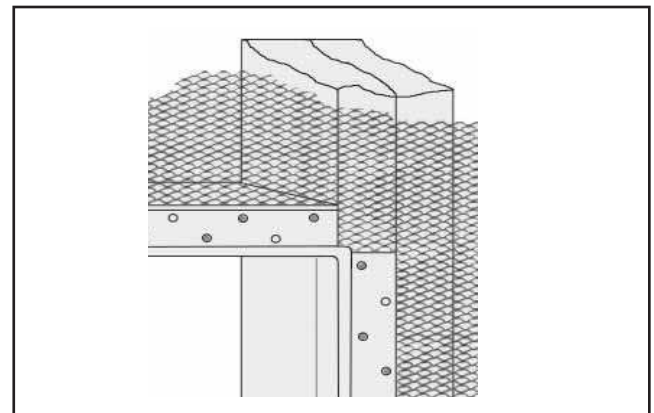
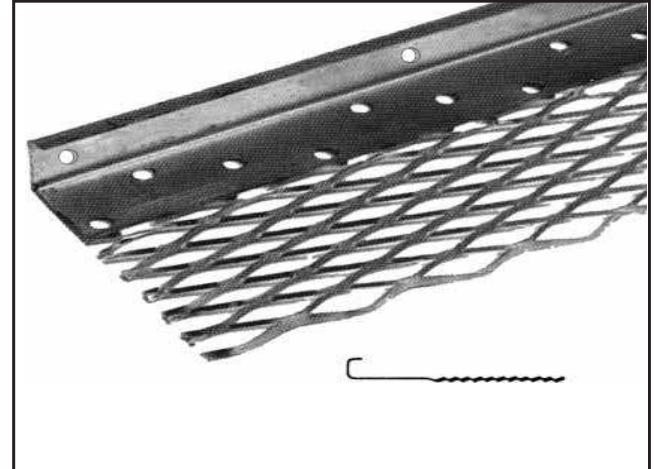
ASTM C1063, Table 1 defines the minimum allowable thickness of lathing accessories

Finish

Galvanized steel accessories are produced from hot dip galvanized G-60 steel.

DESCRIPTION

One piece casing bead with a 3-inch wide expanded metal mesh flange. Pre-drilled for proper attachment to wood and metal framing members.



Meets IBC 2510 and IBC 2511
Refer to ASTM C1063 for support spacing, lath selection, fastener selection and further information regarding the proper installation of metal lath and accessories. AMICO recommends zinc alloy accessories for all exterior applications.
Meets Buy American Procurement Requirements
Made in the United States of America
LEED: both pre and post industrial recyclable content are available – contact the manufacturer.

All information contained herein is accurate as known at the time of publication. Specifications may change and AMICO reserves the right to change product specifications without notice and without incurring obligations.

ALABAMA METAL INDUSTRIES CORPORATION

3245 Fayette Avenue ♦ Birmingham, AL 35208 ♦ Telephone 800/366-2642 ♦ Facsimile 205/786-6527
email fmayer@gibraltar1.com

August 2010



N-66 CASING BEAD

Galvanized Steel Narrow Wing Casing Bead

FOR STUCCO AND PLASTER INSTALLATIONS

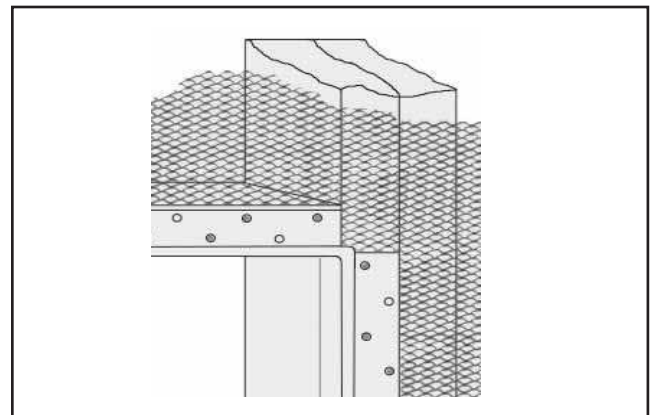
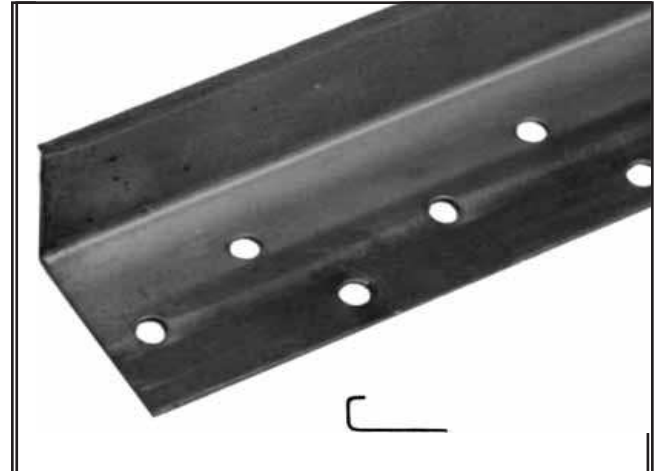
Primarily a West Coast product.

N-66 Casing Bead is used to terminate plaster or stucco around doors, windows and any other through wall penetration. Select the proper ground to aid in screeding the proper thickness of stucco.

Submitted Product	Product Number	Ground
	N-66	3/8"
	N-66	1/2"
	N-66	3/4"
	N-66	7/8"
	N-66	1"
Standard Package Lengths are 10-ft.		
N-66 Casing Bead is produced only in Fontana, CA		

DESCRIPTION

One piece solid metal construction without the expanded metal flange. Nail and keying holes are provided in the flange. The flange width is approximately 1 3/8" wide. casing bead with a 3-inch wide expanded metal mesh flange. Pre-drilled for proper attachment to wood and metal framing members. Weep holes are optional on all ground sizes.



Meets IBC 2510 and IBC 2511

Refer to ASTM C1063 for support spacing, lath selection, fastener selection and further information regarding the proper installation of metal lath and accessories. AMICO recommends zinc alloy accessories for all exterior applications.

Meets Buy American Procurement Requirements
Made in the United States of America

LEED: both pre and post industrial recyclable content are available – contact the manufacturer.

All information contained herein is accurate as known at the time of publication. Specifications may change and AMICO reserves the right to change product specifications without notice and without incurring obligations.

ALABAMA METAL INDUSTRIES CORPORATION

3245 Fayette Avenue ♦ Birmingham, AL 35208 ♦ Telephone 800/366-2642 ♦ Facsimile 205/786-6527
email fmayer@gibraltar1.com

August 2010

#15 EXPANSION JOINT Galvanized Expanded Metal VV or M Type Expansion Joint

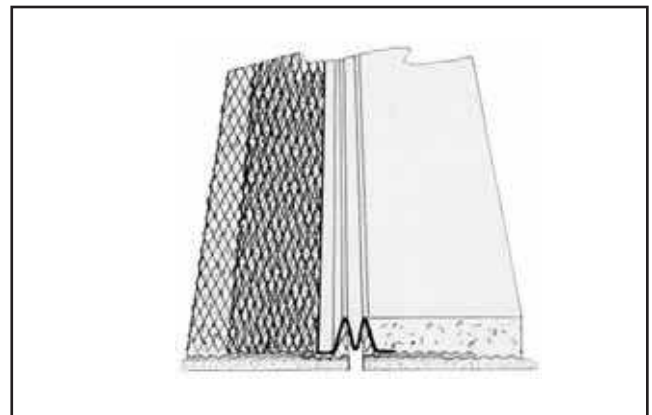
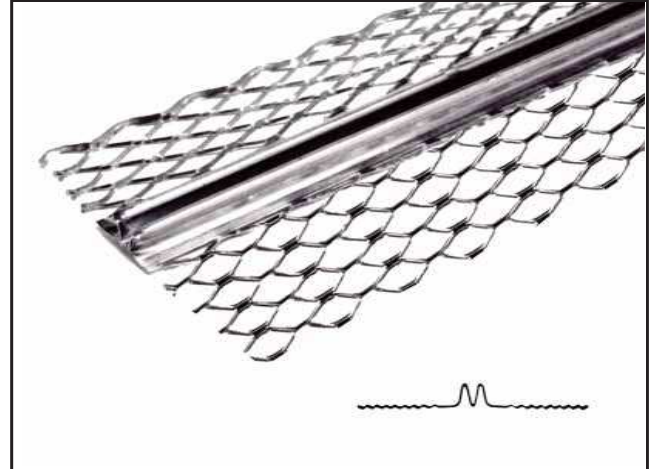
FOR STUCCO AND PLASTER INSTALLATIONS
These expansion joints provide for the basic expansion and contraction that can be expected in the stucco membrane, such as initial shrinkage during stucco curing, and minor thermal expansion and contraction.

Submitted Product	Product Number	Ground
	#15	3/8"
	#15	1/2"
	#15	5/8"
	#15	3/4"
	#15	7/8"
Standard Package Lengths are 10-ft.		

Expansion Joints are designed to deal with structural movement within a structure.

DESCRIPTION

One piece expanded metal expansion joints with an overall width of 4-inches. This expansion joint can be oriented and installed in a wall in both the vertical and horizontal direction. Two and Three piece joints require extra caulking at the juncture of the pieces to avoid moisture problems. This one piece design eliminates the leaking issue.



Meets IBC 2510 and IBC 2511
Refer to ASTM C1063 for support spacing, lath selection, fastener selection and further information regarding the proper installation of metal lath and accessories. AMICO recommends zinc alloy accessories for all exterior applications.
Meets Buy American Procurement Requirements
Made in the United States of America
LEED: both pre and post industrial recyclable content are available – contact the manufacturer.

All information contained herein is accurate as known at the time of publication. Specifications may change and AMICO reserves the right to change product specifications without notice and without incurring obligations.

ALABAMA METAL INDUSTRIES CORPORATION

3245 Fayette Avenue ♦ Birmingham, AL 35208 ♦ Telephone 800/366-2642 ♦ Facsimile 205/786-6527
email fmayer@gibraltar1.com

August 2010



#30 INSIDE CORNER EXPANSION JOINT Galvanized Expanded Metal Construction

FOR STUCCO AND PLASTER INSTALLATIONS
This expansion joint is similar in construction to the M-Type joint but is bent to an angle to form inside corners allowing for lateral movement.

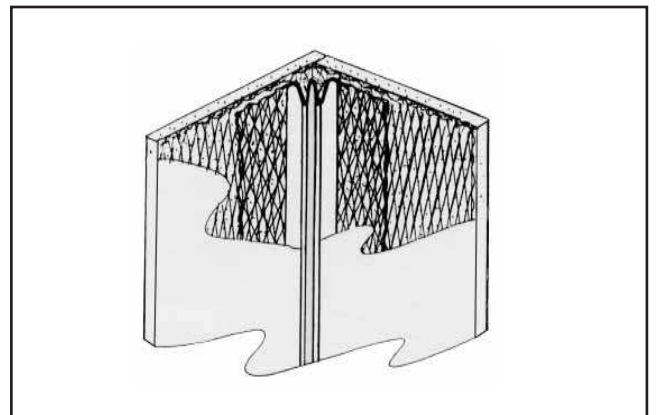
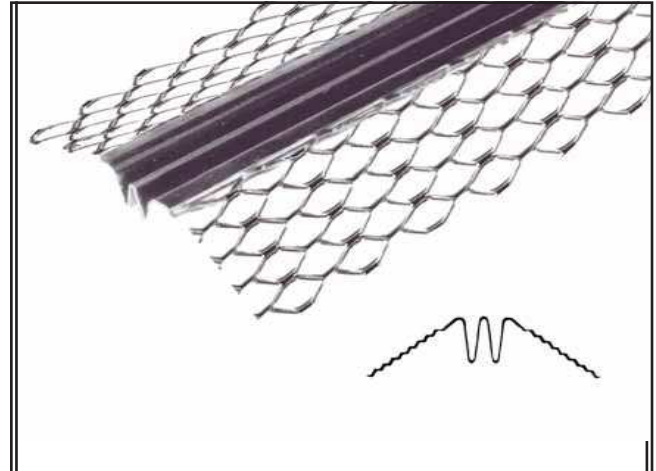
Submitted Product	Product Number	Ground
	#30	1/2"
	#30	3/4"
	#30	7/8"
Standard Package Lengths are 10-ft.		

Expansion Joints are designed to deal with structural movement within a structure.

DESCRIPTION

One piece inside corner expanded metal expansion joints with an overall dimension of 4-inches. This expansion joint is primarily used in exterior stucco applications.

This joint can be orientated and installed in a wall in both the vertical and horizontal direction. Two and Three piece joints require extra calking at the juncture of the pieces to avoid moisture problems. This one piece design eliminates the leaking issue.



Meets IBC 2510 and IBC 2511
Refer to ASTM C1063 for support spacing, lath selection, fastener selection and further information regarding the proper installation of metal lath and accessories. AMICO recommends zinc alloy accessories for all exterior applications.
Meets Buy American Procurement Requirements
Made in the United States of America
LEED: both pre and post industrial recyclable content are available – contact the manufacturer.

All information contained herein is accurate as known at the time of publication. Specifications may change and AMICO reserves the right to change product specifications without notice and without incurring obligations.

ALABAMA METAL INDUSTRIES CORPORATION

3245 Fayette Avenue ♦ Birmingham, AL 35208 ♦ Telephone 800/366-2642 ♦ Facsimile 205/786-6527
email fmayer@gibraltar1.com

August 2010



XJ15 GRIPLOCK J EXPANSION JOINT Galvanized Expanded Metal Construction

FOR STUCCO AND PLASTER INSTALLATIONS
The locking affect of the “J” design helps reduce the separation of stucco at the edge of the joint when stucco is forced under the “J” flange.
This expansion joint is similar in construction to the M Type joint.

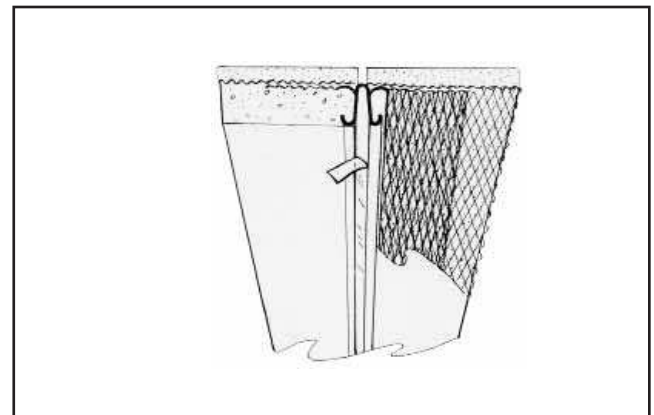
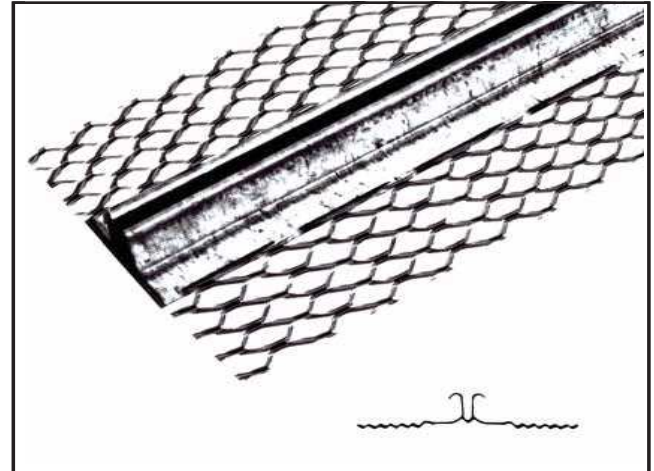
Submitted Product	Product Number	Ground
	XJ-15	1/2"
	XJ-15	3/4"
	XJ-15	7/8"
Standard Package Lengths are 10-ft.		

Expansion Joints are designed to deal with structural movement within a structure.

DESCRIPTION

One piece inside corner expanded metal expansion joints with an overall dimension of 4-inches. This expansion joint is primarily used in exterior stucco applications.

This joint can be orientated and installed in a wall in both the vertical and horizontal direction. Two and Three piece joints require extra calking at the juncture of the pieces to avoid moisture problems. This one piece design eliminates the leaking issue.



Meets IBC 2510 and IBC 2511
Refer to ASTM C1063 for support spacing, lath selection, fastener selection and further information regarding the proper installation of metal lath and accessories. AMICO recommends zinc alloy accessories for all exterior applications.
Meets Buy American Procurement Requirements
Made in the United States of America
LEED: both pre and post industrial recyclable content are available – contact the manufacturer.

All information contained herein is accurate as known at the time of publication. Specifications may change and AMICO reserves the right to change product specifications without notice and without incurring obligations.

ALABAMA METAL INDUSTRIES CORPORATION

3245 Fayette Avenue ♦ Birmingham, AL 35208 ♦ Telephone 800/366-2642 ♦ Facsimile 205/786-6527
email fmayer@gibraltar1.com

August 2010



#40 EXPANSION JOINT 2-PIECE Solid Galvanized Metal Construction

FOR STUCCO AND PLASTER INSTALLATIONS

This 2- piece, male/female, expansion joint is used to accommodate movement in two directions.

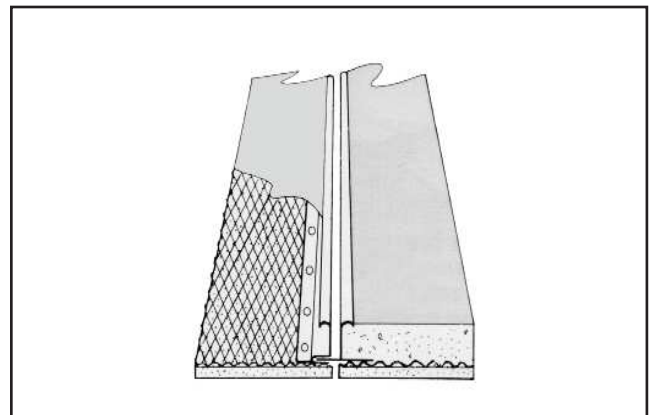
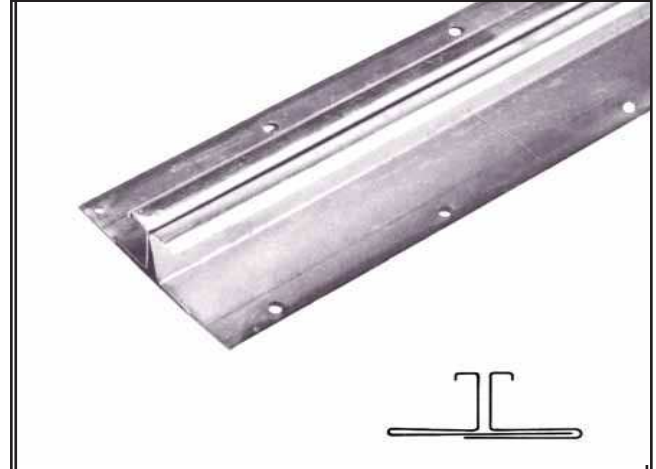
Submitted Product	Product Number	Ground
	#40	1/2"
	#40	3/4"
	#40	7/8"
Standard Package Lengths are 10-ft.		

Expansion Joints are designed to deal with structural movement within a structure.

DESCRIPTION

Used at through wall expansions with double studs or where there is a transition from one type of framing to another such as CMU to wood framing. Joint opening is adjustable from 1/4" to 5/8".

This joint can be orientated and installed in a wall in both the vertical and horizontal direction. Two and Three piece joints require extra calking at the juncture of the pieces to avoid moisture problems.



Meets IBC 2510 and IBC 2511

Refer to ASTM C1063 for support spacing, lath selection, fastener selection and further information regarding the proper installation of metal lath and accessories. AMICO recommends zinc alloy accessories for all exterior applications.

Meets Buy American Procurement Requirements
Made in the United States of America

LEED: both pre and post industrial recyclable content are available – contact the manufacturer.

All information contained herein is accurate as known at the time of publication. Specifications may change and AMICO reserves the right to change product specifications without notice and without incurring obligations.

ALABAMA METAL INDUSTRIES CORPORATION

3245 Fayette Avenue ♦ Birmingham, AL 35208 ♦ Telephone 800/366-2642 ♦ Facsimile 205/786-6527
email fmayer@gibraltar1.com

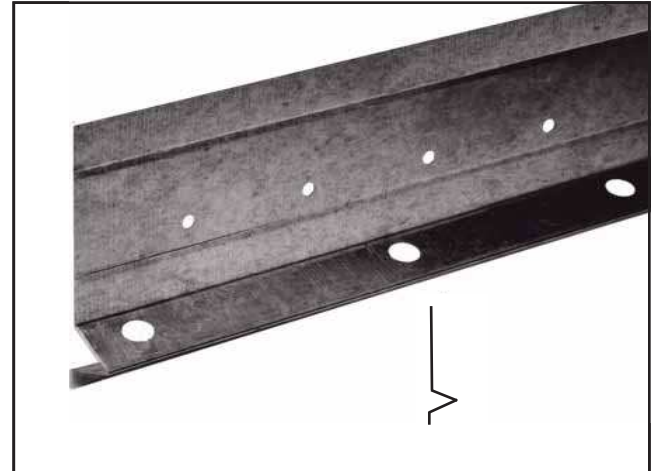
August 2010



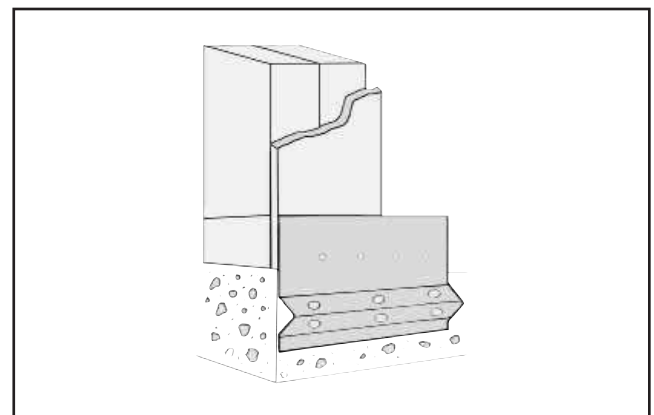
FOUNDATION WEEP SCREED Galvanized Steel Construction

FOR STUCCO AND PLASTER INSTALLATIONS
Drainage Wall Applications

The 3½" nailing flange serves as a flashing when water resistant breathable building paper or paper backed lath is installed over the flange. The holes in the "V" stop act primarily as a keying mechanisms and also offer minor moisture weeping capabilities. As stucco cures it will shrink slightly away from the "V" stop allowing moisture to flow down the building paper and exit down the sloped surface.



Submitted Product	Product Number	Ground
	FHA #7	3/8"
	FHA #7	1/2"
	FHA #7	3/4"
	FHA #7	7/8"
	FHA #7	1 3/8"
	FHA #7	1 1/2"
Standard Package Lengths are 10-ft.		



DESCRIPTION

This standard FHA approved screed is required at the base of walls as part of a drainage system for exterior stucco or manufactured stone applications.

Meets IBC 2510 and IBC 2511

Refer to ASTM C1063 for support spacing, lath selection, fastener selection and further information regarding the proper installation of metal lath and accessories. AMICO recommends zinc alloy accessories for all exterior applications.

Meets Buy American Procurement Requirements
Made in the United States of America

LEED: both pre and post industrial recyclable content are available – contact the manufacturer.

All information contained herein is accurate as known at the time of publication. Specifications may change and AMICO reserves the right to change product specifications without notice and without incurring obligations.

ALABAMA METAL INDUSTRIES CORPORATION

3245 Fayette Avenue ♦ Birmingham, AL 35208 ♦ Telephone 800/366-2642 ♦ Facsimile 205/786-6527
email fmayer@gibraltar1.com

August 2010



J METAL BEAD Galvanized Steel Construction

FOR STUCCO AND PLASTER INSTALLATIONS

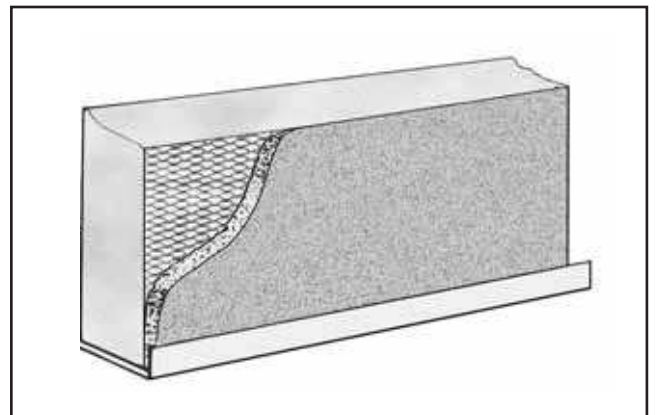
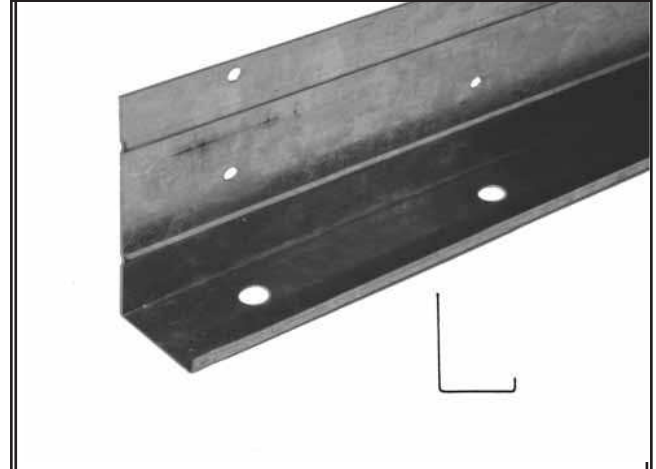
J Bead will accommodate up to 1-inch of rigid insulation and also 3/8" of one-coat stucco or direct applied systems.

Submitted Product	Product Number	Ground
	J380	3/8"
	J500	1/2"
	J750	3/4"
	J780	7/8"
	J1000	1"
	J1380	1 3/8"
	J1500	1 1/2"
Standard Package Lengths are 10-ft.		

J Bead is a west coast U.S. product that is shipped throughout the country.

DESCRIPTION

A solid flange type of casing bead used with one-coast stucco systems. The design of the shoulder for the stucco embedment and increases the holding capacity at the joint to minimize cracking.



Meets IBC 2510 and IBC 2511
Refer to ASTM C1063 for support spacing, lath selection, fastener selection and further information regarding the proper installation of metal lath and accessories. AMICO recommends zinc alloy accessories for all exterior applications.
Meets Buy American Procurement Requirements
Made in the United States of America
LEED: both pre and post industrial recyclable content are available – contact the manufacturer.

All information contained herein is accurate as known at the time of publication. Specifications may change and AMICO reserves the right to change product specifications without notice and without incurring obligations.

ALABAMA METAL INDUSTRIES CORPORATION

3245 Fayette Avenue ♦ Birmingham, AL 35208 ♦ Telephone 800/366-2642 ♦ Facsimile 205/786-6527
email fmayer@gibraltar1.com

August 2010

