



AMICO
PERIMETER SECURITY

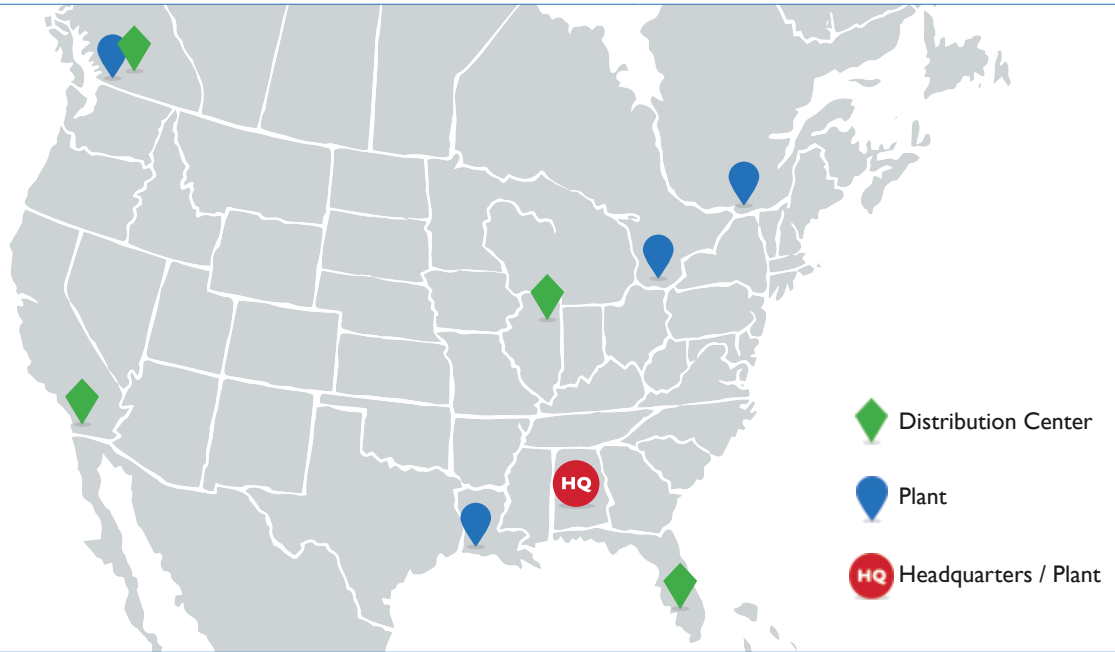
2026-2027

PRODUCT CATALOG

[AMICOSECURITY.COM](https://www.amicosecurity.com)

855.552.6426

WHO WE ARE



BEST-IN-CLASS QUALITY

Team with AMICO Security to schedule some learning time! Tell us what can we help you with:

- Product knowledge
- Installation
- AIA LU/ HSW or LA CES HSW

AMICO is an approved AIA and LA CES Continuing education provider! One point per attendance. Lunch and learns, brunch and learns, anytime talks and demonstrations can be scheduled virtually OR in-Person, just call or go online to make arrangements.



MORE INFORMATION ON AMICO SECURITY PRODUCTS

- amicosecurity.com
- [linkedin.com/company/amicosecurity](https://www.linkedin.com/company/amicosecurity)
- market.bimsmith.com/amicosecurity
- caddetails.com

AFFILIATES

- American Fence Association (AFA)
- American Institute of Architects (AIA)
- American Society for Testing and Materials (ASTM)
- American Society of Landscape Architects (ASLA)
- Institute of Electrical and Electronics Engineers (IEEE)



Scan to download catalog

Product on Cover

CHAMELEON²® 7100 DUAL FENCE LINE

TABLE OF CONTENTS

WHO WE ARE	2
TABLE OF CONTENTS	3
OUR HISTORY AND CAPABILITIES	4
ANC® PERIMETER SYSTEM	6
CHAMELEON® PERIMETER SYSTEM.....	16
CHAMELEON ² ® SQUARE POST SYSTEM.....	22
CHAMELEON® AND ANC® TOPPERS	24
AMIGUARD® 4000 SERIES PALISADE FENCE	26
AMIGUARD® 5000 WELDED WIRE PANELS	32
AMIGUARD® 6000 & 7000 MESHES	40
AMIGUARD ANIMAL SHIELD®	48
AMIGUARD® APEX FENCING	52
AMIGUARD BALLISTIC PANELS™	56
AMIGUARD DUALGUARD® MESH.....	60
AMIGUARD® 8000 SERIES GATES.....	66
AMIGUARD® 9000 SERIES VEHICLE BARRIERS	74
MODULAR BARRIER FENCE®	82
ANC® TEMP FENCE.....	88
UTILITY AND ENERGY SECURITY.....	92
DATA CENTERS.....	94
AIRPORT AND TRANSPORTATION SECURITY	96
CORRECTIONS FACILITIES.....	98
GOVERNMENT FACILITIES & CRITICAL INFRASTRUCTURE	100
HIGH END COMMERCIAL & INDUSTRIAL SECURITY	102
OFFICES, RECREATIONAL, & SCHOOLS	104
AMICO SECURITY MESH™	106
BALLISTIC SECURITY PANELS	112
SPECIAL PROJECTS.....	116
AMICOAT™ FINISHES	120
LEED INFORMATION	122
WHY AMICO SECURITY?	123

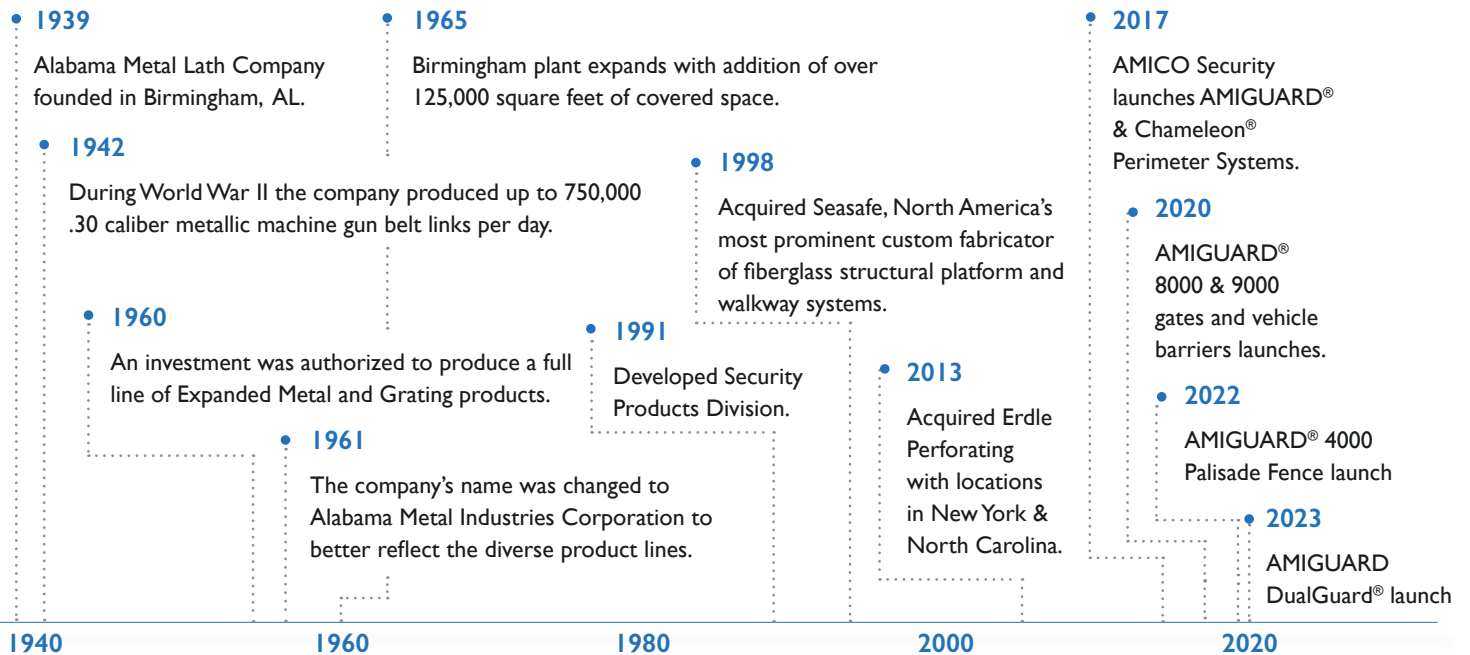


OUR HISTORY AND CAPABILITIES

OUR HISTORY



1960 AMICO PLANT IN BIRMINGHAM, AL



1943 .30 caliber metallic machine gun belt links



1965 Plant Expansion in Birmingham, AL



1970's AMICO truck



2017 AMICO Plant with 1st AMIGUARD® fence



OUR PRODUCT DESIGN VALUES

Our fence designs are very flexible, which means our engineering team can adapt our systems to the challenging environments on a project. Members of our product design team are active participants in standard organizations helping to develop and improve perimeter security standards. Our systems are designed for fast and efficient installation. This helps reduce the labor costs from the installers, which helps the end user save money. It should be noted that AMICO offers long lasting finishes, from hot dipped galvanized finish, to a powder coat over e-coat finish, or a “Duplex” coating for the highest level of corrosion resistance.



OUR PERIMETER SECURITY PROJECTS

The AMICO team executes hundreds of perimeter security projects per year. These projects can vary in size from \$100,000 to \$3,000,000 in product value. Our experienced project management team supports individual projects from the initial order placement to final project completion. They provide on-site installation training to new installers of AMICO products. Our structural engineer can provide wind load calculations according to applicable local codes and can work with the customer’s engineers to ensure all technical requirements are met for a project.

OUR CUSTOMERS AND END USERS

AMICO works with a wide variety of end use customers. These customers range from small local businesses and utilities to multi-billion dollar national accounts. These customers are in markets such as: data centers, transportation, electric utilities, gas utilities, water utilities, correctional facilities, and the US Federal Government. The AMICO team has helped customers develop and protect their specifications or standards as many customers have more than one project to complete in a budget period (one customer had 30 projects in one year).



Top to Bottom, Left to Right

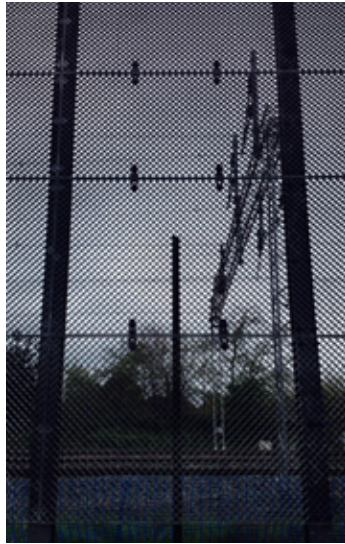
AMIGUARD ANIMAL SHIELD® 6100,
AMIGUARD® 9700 SERIES M50
CANTILEVER CRASH GATE,
AMIGUARD 4740 PALISADE FENCE
WITH BALLISTIC PANELS,
AMIGUARD® 4740 PALISADE
FENCE WITH INTEGRATED
CRASH CABLE

ANC[®] PERIMETER SYSTEM



Top to Bottom

ANC SAFEGUARD™ 2100
WITH CAPSHEET,
ANC SAFEGUARD™ 2100,
ANC SAFEGUARD™ 2100





Scan for easy 3D instructions



Available for Chameleon® and ANC® Perimeter Systems

PERIMETER SYSTEMS



Top to Bottom, Left to Right
ANC CANTILEVER GATE,
ANC SAFEGUARD™ 4200
MESH WITH CAPSHEET,
ANC SAFEGUARD™ 4200,
ANC ISOLATION SECTION

ANC[®] PERIMETER SYSTEM



AMICO Security developed the ANC[®] Non Conductive fence system as a total perimeter solution to offer a safe, aesthetically pleasing, non-conductive, radar friendly alternative to traditional fencing. ANC[®] is growing rapidly in popularity and has many applications and advantages.



- Savings: Can be less expensive than the overall installed cost of grounded chain link fence
- Can be installed to meet any layout or grade changes
- Tested to be non-conductive
- 100% non-metallic and corrosion resistant
- Up to 20 ft high
- Can be retrofitted to existing metallic posts
- Pedestrian and vehicle swing and slide gates
- Cap sheets are available to deter climbing
- Panels are light enough for a 2-man crew

BEST-IN-CLASS QUALITY

With our 40 years of proven performance, choosing one of our corrosion resistant, fire retardant, non-conductive solutions is a safe choice for a “Best-in-Class” quality product. Based on 3rd party test reports, we can state our composite products are Heavy Metal free proving our commitment to the environment.





POWER & ENERGY SECTOR

Secure substations, power facilities and energy companies throughout the world are becoming increasingly aware that ANC® is the best solution to eliminate unforeseen occurrences related to touch and step potential. ANC® can help to ensure that the general population living around and that power employees who work around substations are safer. Dielectric tests have been conducted by a certified laboratory in which leakage current and flashover voltage tests revealed no electrical conductivity. As population centers evolve, the need for added safety and security is required.

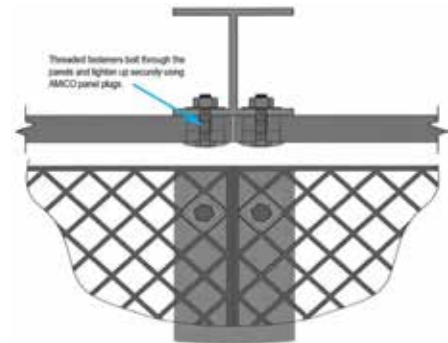


AIRPORTS AND AVIATION SECTOR

As the need for airport security increases, AMICO has the answer. Airports throughout the globe are searching for Perimeter Systems that won't interfere with radar signals. While traditional high security metal fencing systems reflect radar, creating false images, ANC® fencing doesn't show this interference. In addition to being safe and secure, ANC® provides a clean aesthetically pleasing look that blends into the landscape.

ANC® COMPOSITE SECURITY FENCE SYSTEM

The ANC® Composite Fence System combines non-conductivity and security into an easy to install solution for the energy, water, air, and transportation industries. The system can be installed as new or retrofit construction and steel posts can be used depending upon the recommendation from your grounding engineer. Metal posts and fittings are available. Threaded fasteners bolt through the panels and tighten up securely using AMICO® panel plugs. All fence components are available non-metallic and non-conductive.

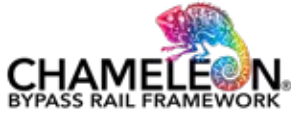


ENVIRONMENTAL DURABILITY

ANC® was primarily designed to survive wet, hot and humid conditions in the Gulf Coast and offshore. The material is fiberglass composite with UV inhibitors throughout, designed for extreme sun exposure and the highly corrosive environment.

PERIMETER SYSTEMS

ANC[®] CHAMELEON[®] HYBRID SYSTEM

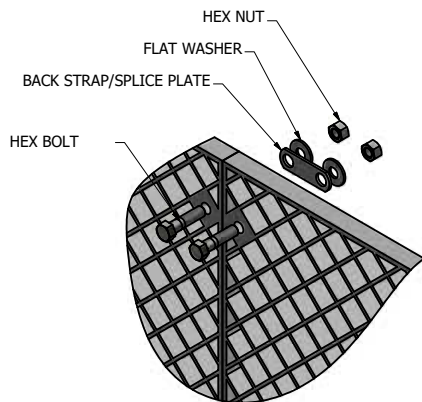


ANC[®] Chameleon[®] Hybrid System is a combination of ANC Non Conductive components on the outside and Chameleon Retrofit components on the inside.

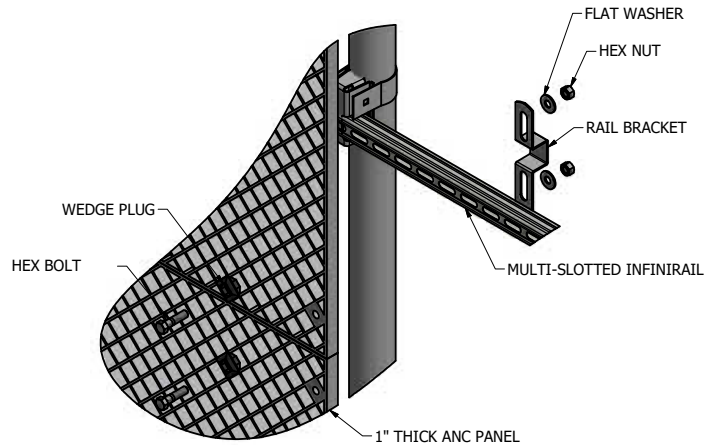
- 100% non metallic, non-conductive from the outside
- Allows you to utilize existing fence posts
- Saves time (up to 40% over other fence systems) and materials
- Allows you to utilize existing grounding systems in place



INSTALLATION OF ANC[®] CHAMELEON[®] HYBRID SYSTEM WITH ANC SAFEGUARD[™] 2100 MESH



EXPLODED VIEW #1
(RAIL PLATE/BACK STRAP CONNECTION)

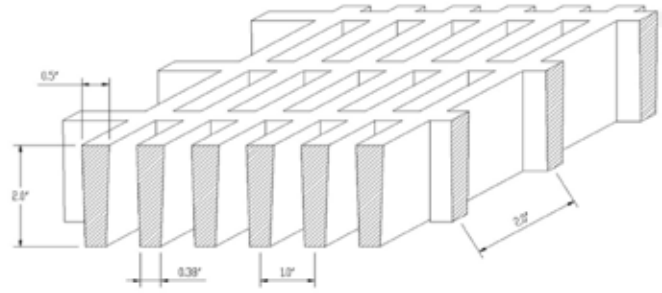


EXPLODED VIEW #2
(RAIL BRACKET SPLICE CONNECTION)

ANC SAFEGUARD™ MESH



AMICO Security offers a wide range of ANC SAFEGUARD™ Meshes. Mesh patterns range from our traditional diamond pattern to anti-climb and anti-breach square or rectangular patterns. All meshes offer a safe, aesthetically pleasing, non-conductive, radar friendly alternative to traditional security fencing.

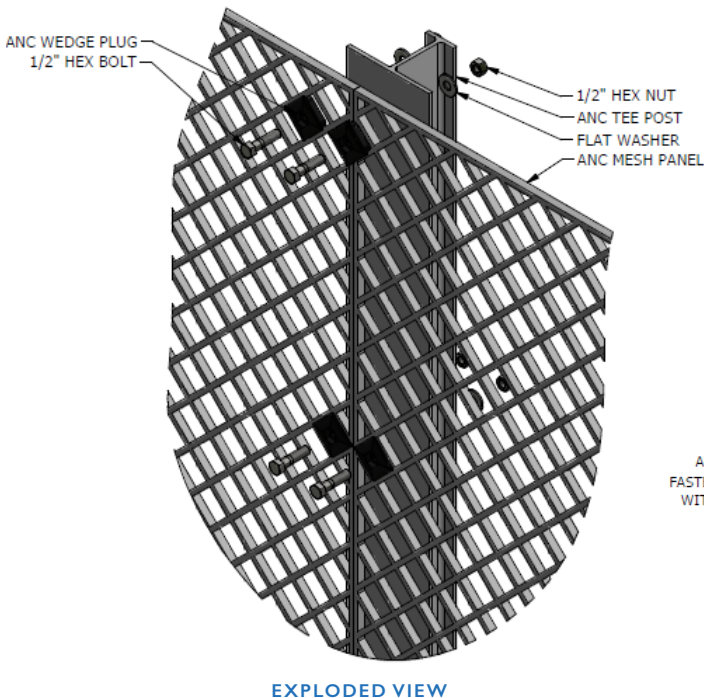


NEW ANC SAFEGUARD™ 4200 MESH

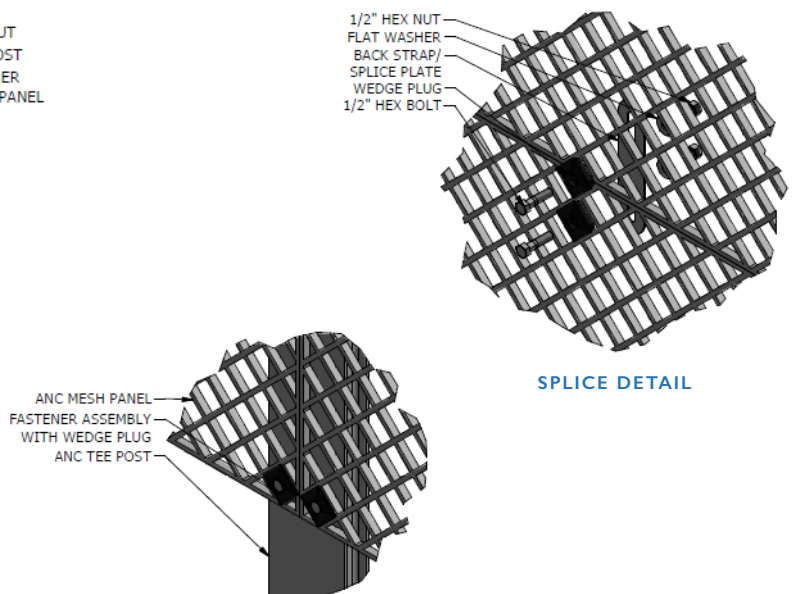
ANC SAFEGUARD™ Mesh Style	Mesh Pattern	Nominal Dimensions Opening H x W (in)	Percent Open Area	Mesh Thickness (in)	Weight lbs per ft ²
ANC SAFEGUARD™ 1050	Diamond	2.25 x 2.25	72%	0.50	1.36
ANC SAFEGUARD™ 2100	Diamond	1.75 x 1.75	68%	1.00	2.36
ANC SAFEGUARD™ 3100	Square	0.50 x 0.50	44%	1.00	4.75
ANC SAFEGUARD™ 4200	Rectangular	0.50 x 1.50	48%	2.00	8.40
ANC SAFEGUARD™ 4212	Rectangular w/ solid backing	0.50 x 1.50	0%	2.12	9.40

PERIMETER SYSTEMS

INSTALLATION OF ANC SAFEGUARD™ 1050 & 2100 MESHES

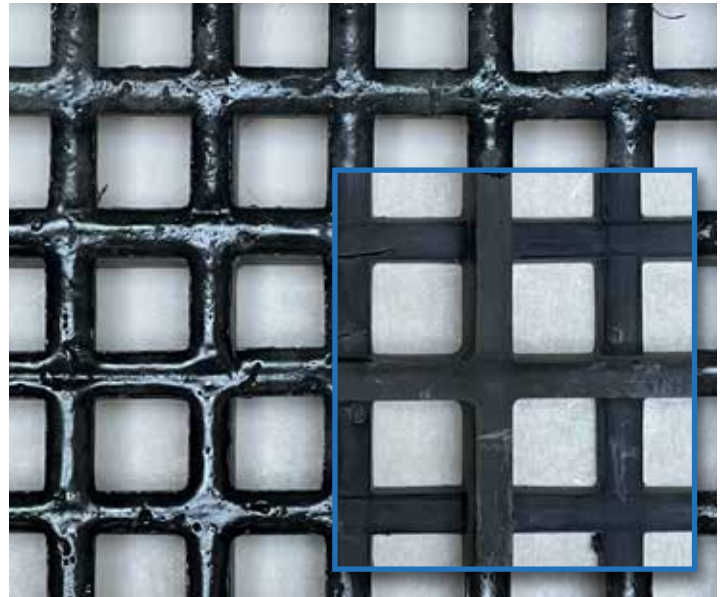
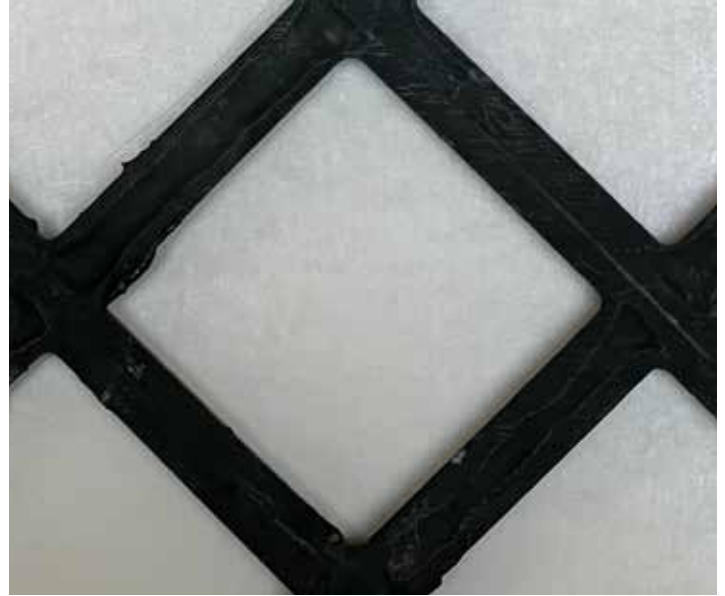


EXPLODED VIEW



ASSEMBLED DETAILED VIEW

ANC SAFEGUARD™ MESH

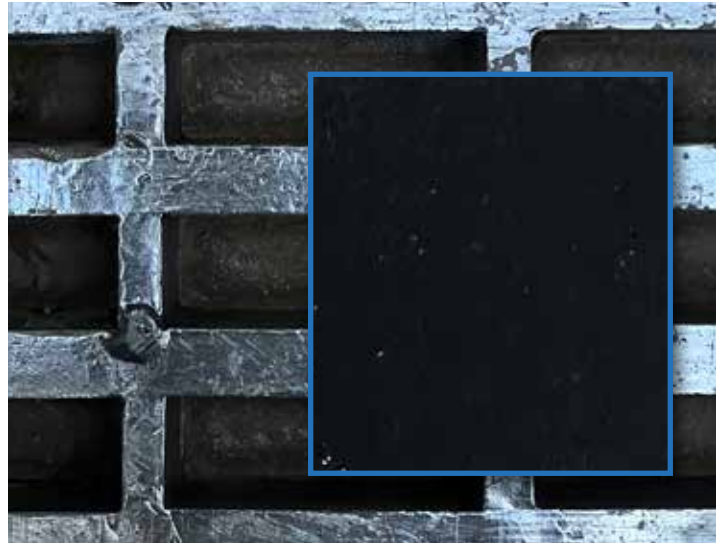


Top to Bottom, Left to Right, Samples shown in 1:1 scale

ANC SAFEGUARD™ 1050 MESH,

ANC SAFEGUARD™ 2100 MESH,

ANC SAFEGUARD™ 3100 MESH (INSERT BACKSIDE)



Top to Bottom, Left to Right

ANC SAFEGUARD™ 4200 MESH,
ANC SAFEGUARD™ 4212 MESH (INSERT BACKSIDE),
ANC SWING GATE WITH ANC SAFEGUARD™ 1050,
ANC SAFEGUARD™ 2100 MESH,
ANC SAFEGUARD™ 3100 MESH

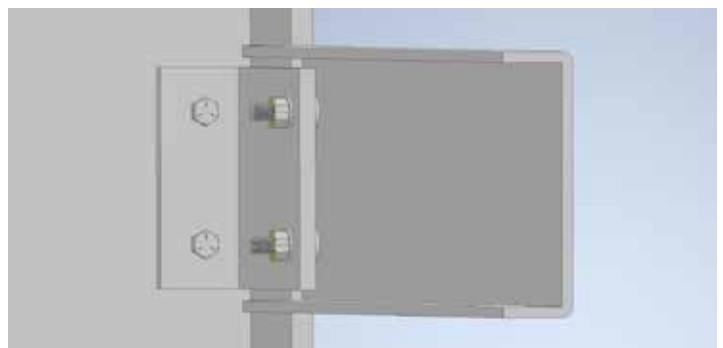
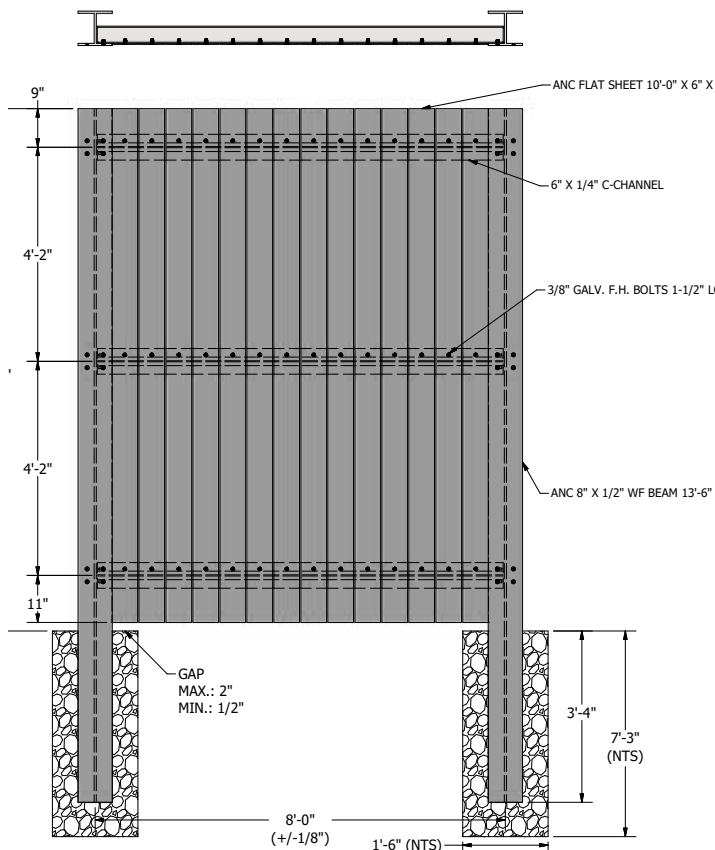
ANC[®] SLATTED PRIVACY FENCE

ANC[®] SLATTED PRIVACY FENCE

The ANC[®] Slatted Privacy Fence offers the same look as a wooden slatted fence without the required maintenance. In addition, the ANC[®] Slatted Privacy Fence is much stronger compared to a wooden fence with significantly enhanced breach times. The ANC[®] Slatted Privacy Fence features the standard ANC[®] I - Beam posts with ANC[®] C - Channels rails. The ANC[®] Slatted Privacy Fence can be customized and offers a wide range of options.

Standard Features and Options

- ANC[®] I - Beam posts with ANC[®] C - Channels rails
- Up to 10 ft high
- Can be installed to meet any layout or grade changes
- Tested to be non-conductive
- 100% non-metallic and corrosion resistant
- Fiberglass gray finish standard
- Fiberglass dark brown finish optional
- Polyurethane coating optional
- Dog Ears on top of slats optional



I - BEAM TO C CHANNEL CONNECTION

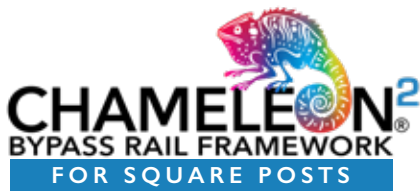
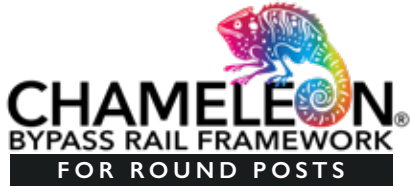
ANC[®] SPECIAL PROJECTS



Top to Bottom, Left to Right
ANC[®] SPECIAL FENCE
AT CHILDREN'S MUSEUM,
ANC[®] BASE PLATTED
POSTS,
ANC[®] SIDE MOUNTED
POSTS (2)

PERIMETER SYSTEMS

CHAMELEON® PERIMETER SYSTEM



Product

CHAMELEON® WITH AMIGUARD 6100® MESH

Scan for easy 3D
instructions



Available for Chameleon® and ANC® Perimeter Systems

BYPASS RAIL FRAMEWORK



Top to Bottom, Left to Right
24' TALL CHAMELEON²® ON 8" X 8" SQUARE POSTS,
CHAMELEON²® 7100 (2),
AMIGUARD[®] 8500 CANTILEVER GATE,
CHAMELEON²® 6300

PERIMETER SYSTEMS

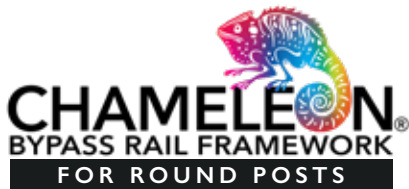
CHAMELEON® PERIMETER SYSTEM



The patented Chameleon® System, patents: see www.amicoglobal.com/patents, allows you to upgrade an existing chain link fence to the AMIGUARD® Perimeter System utilizing existing fence posts. This allows you to upgrade to a Perimeter System with anti-cut and anti-climb capability. The Chameleon® System is available with round posts or square posts, named Chameleon, or Chameleon2 respectively. Chameleon® uses a bypass rail system which is very flexible in terms of post spacing and offers a great variety of fence infills. Infills range from expanded metal panels to welded wire panels and palisade fencing.

Product

**AMIGUARD® 6100
SECURITY MESH**



- Allows you to utilize existing fence posts already set in place
- Saves time (up to 40% over other solutions) and materials
- Allows you to utilize existing grounding systems
- Can increase the security level of an existing chain link fence
- Unlimited security mesh options
- Available with round or square posts
- Choice of finishes



AMIGUARD AMICLAMP®

The patented Chameleon® System, patents: see www.amicoglobal.com/patents, allows you to upgrade an existing chain link fence to the AMIGUARD® Perimeter System. The patented AMICLAMP® design, patents: see www.amicoglobal.com/patents, allows easy attachment to an existing post to accommodate the AMIGUARD Infini-Rail®. The Chameleon system works with various round post sizes including 2-3/8", 2-7/8", 4", and 6-5/8". The Chameleon2® system includes square posts ranging from 3"x3", 4"x4", 6"x6" to 8"x8". Security mesh can then be attached by utilizing AMIGUARD Diamond Fasteners.®

Our unique approach incorporates innovative solutions to solve common concerns including: security, aesthetics, seamless design, ease of installation, incorporation of impact and fiber optic cables and anti-cut / anti-climb mesh options.



FINISHES

AMICO Security offers three highly corrosion resistant finishing options:

- Hot-Dip Galvanizing
- AMICOAT™ Powder coating over E-Coating or primer
- AMICOAT™ Duplex Coating, Powder coating over Hot-Dip Galvanizing

MESH STYLES

The Chameleon® Retrofit system works with any Mesh Style offered under the AMIGUARD® product lines. Chameleon® is compatible with the AMIGUARD® 5000 series wire meshes, it works with our 6000 and 7000 series expanded metal meshes, and it works with our APEX series, the Architectural Expanded Metal product line.

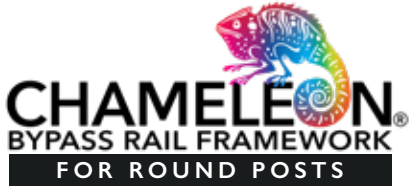


ANC® CHAMELEON® HYBRID SYSTEM

New ANC® Chameleon® Hybrid System is a combination of ANC Non Conductive components on the outside and Chameleon Retrofit components on the inside.

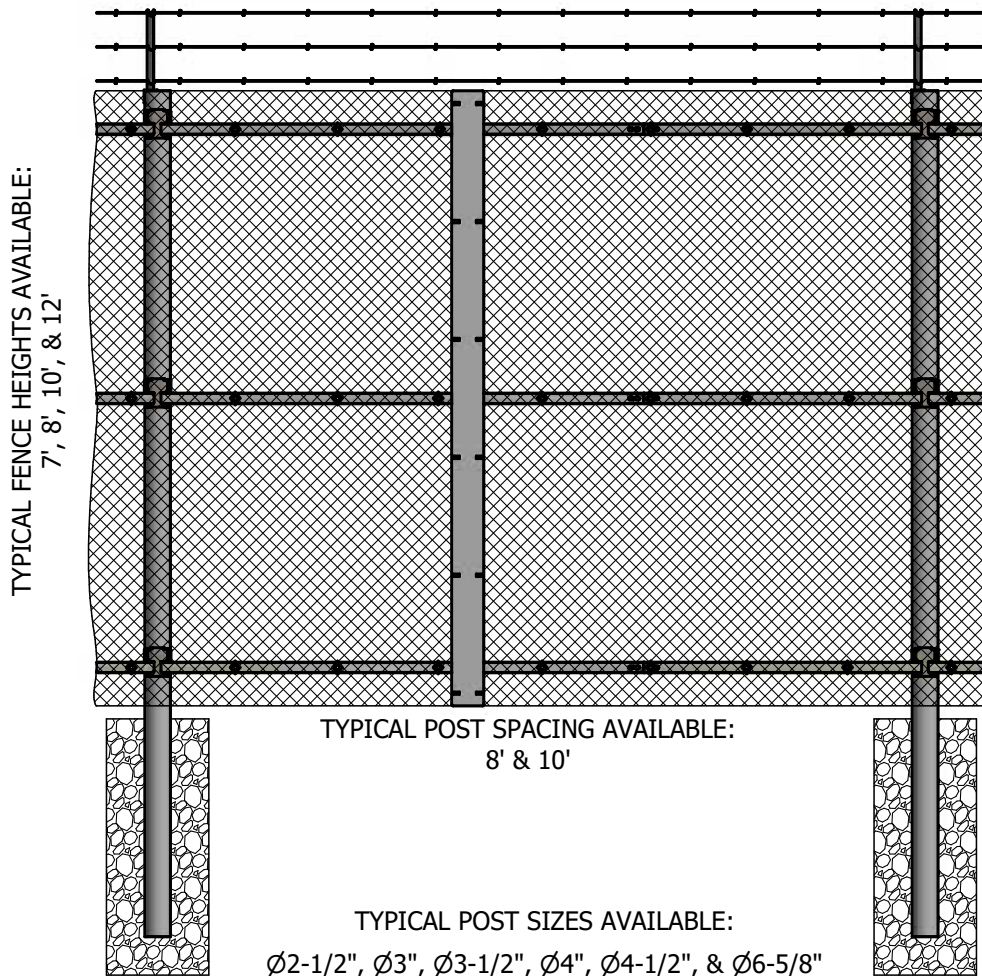
- 100% non metallic, non conductive from the outside
- M5 security rating in compliance with the ASTM standards
- Allows you to utilize existing fence posts
- Saves time (up to 40% over other fence systems) and materials
- Allows you to utilize existing grounding systems in place

CHAMELEON[®] PERIMETER SYSTEM



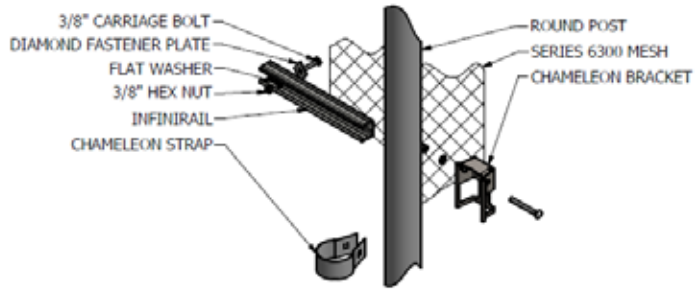
Our Engineering Department is here to assist you with all aspects of the design process for your project. Simple drawings to Engineered Stamped drawings are just a few things they can help with. They are always ready to collaborate with your Engineering Team to ensure your AMICO Security System is installed correctly.

**TOPPERS AVAILABLE:
BARBED WIRE, RAZOR WIRE & SHARK TOOTH TOPPER**

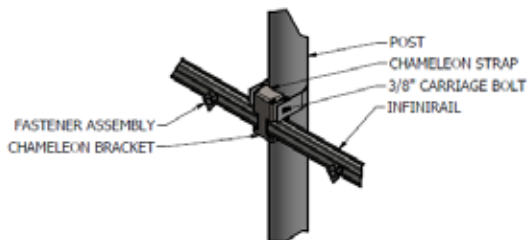


Note: Wind load requirements will determine post size and spacing.

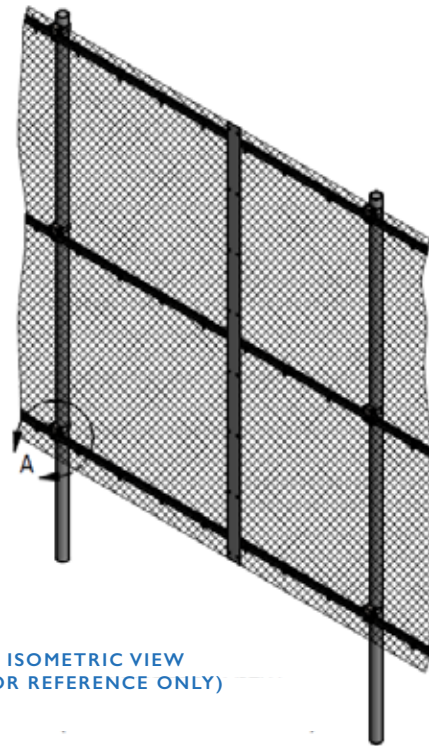
DETAILS



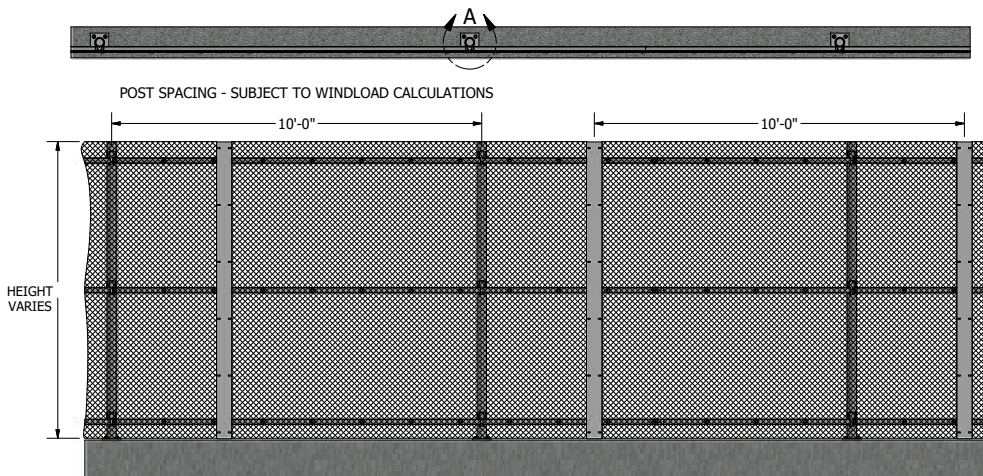
EXPLODED VIEW



DETAIL A
ASSEMBLED VIEW

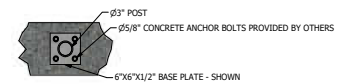


ISOMETRIC VIEW
(FOR REFERENCE ONLY)

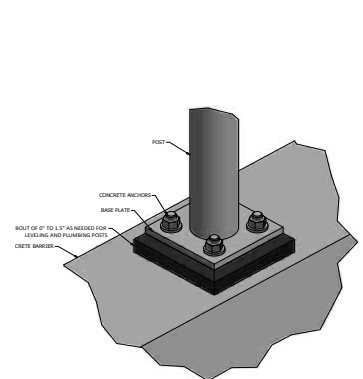


BASEPLATES - SUBJECT TO WINDLOAD CALCULATIONS

ELEVATION BASE PLATED POSTS

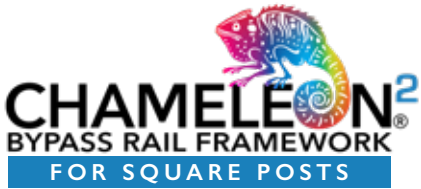


DETAIL A



BASEPLATE

CHAMELEON²® SQUARE POST SYSTEM



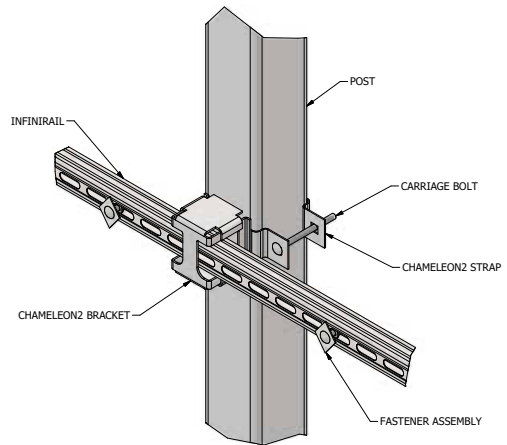
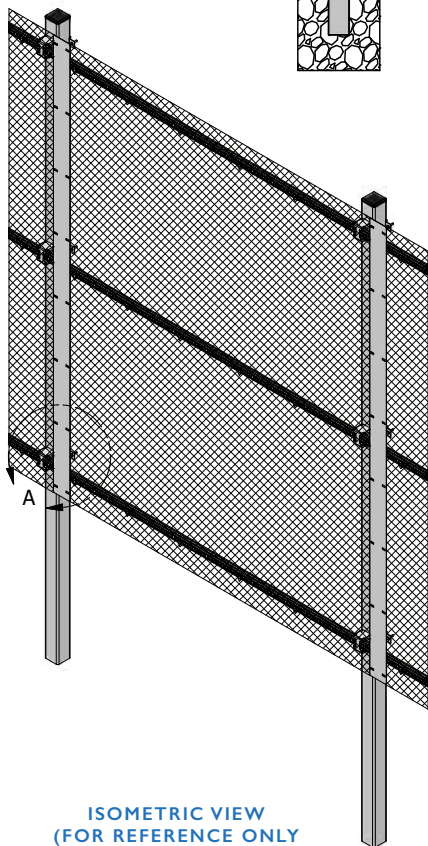
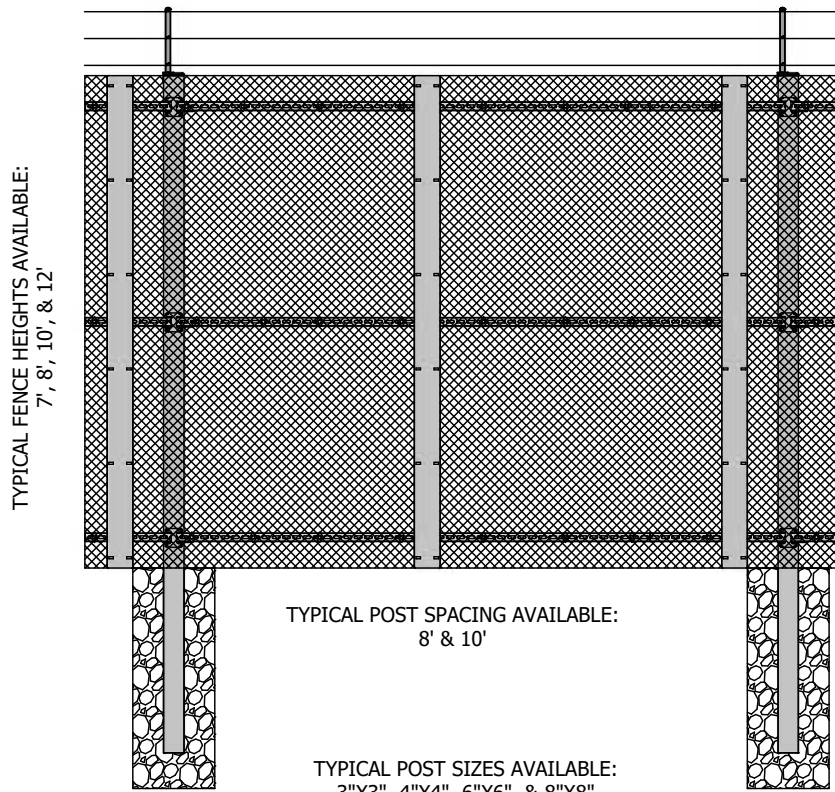
The Chameleon² system offers the same great benefits of our Chameleon bypass rail system for round posts. Chameleon² includes square posts ranging from 3"x3", 4"x4", 6"x6" to 8"x8".

Our Engineering Department is here to assist you with all aspects of the design process for your project. Simple drawings to Engineered Stamped drawings are just a few things they can help with. They are always ready to collaborate with your Engineering Team to ensure your AMICO Security System is installed correctly.



DETAILS

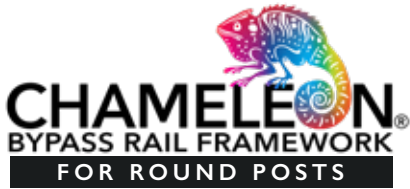
**TOPPERS AVAILABLE:
BARBED WIRE, RAZOR WIRE & SHARK TOOTH TOPPER**



**DETAIL A
(MESH AND COVER PLATE
REMOVED FOR CLARITY)**

Note: Wind load requirements will determine post size and spacing.

CHAMELEON® AND ANC® TOPPERS



Both the Chameleon® and ANC® Perimeter Systems offers a wide range of topper options ranging from Sharktooth, barbed and razor wire, capsheet and AMIGUARD® 4740 Palisade Pales.



Top to Bottom, Left to Right

ANC SAFEGUARD™ 3100
MESH WITH CAPSHEET (2),

ANC SAFEGUARD™ 2100
MESH WITH CAPSHEET



Top to Bottom, Left to Right

AMIGUARD® 5700 WELDED WIRE WITH SHARKTOOTH,

AMIGUARD® 6300 DOUBLE SWING GATE WITH SHARKTOOTH,

AMIGUARD® 7100 WITH AMIGUARD® 4740 PALISADE TOPPER,

AMIGUARD ANIMAL SHIELD® 6100 WITH BARBED WIRE,

CHAMELEON²® 7100 WITH RAZOR WIRE,

AMIGUARD® 6300 WITH SHARKTOOTH

AMIGUARD® 4000 SERIES PALISADE FENCE



Top to Bottom, Left to Right
AMIGUARD® 4740 BENT
TRI-POINT PALES,
AMIGUARD® 4740 BENT
TRI-POINT PALES WITH
PRIVACY SLATS



PRODUCT/FENCE INFILLS

Top to Bottom, Left to Right
AMIGUARD® 4740 BENT
TRI-POINT PALES (2),
AMIGUARD® 4780 BENT
TRI-POINT PALES,
AMIGUARD® 4740
BENT TRI-POINT PALES
CANTILEVER GATE



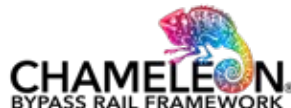
AMIGUARD® 4000 PALISADE FENCE



The AMICO Security AMIGUARD® 4000 Series Palisade Fence System addresses the drawbacks of chain link fencing. It enhances safety and significantly improves the aesthetics resulting in an architecturally pleasing fence.

Product

**AMIGUARD® 4700 BENT
TRI-POINT PALES**



AMICO Security Palisade fence system includes 4500 Series Flat Pales, the 4600 Series Tri-Point Pales and the 4700 Bent Tri-Point Pales for enhanced deterrence. The AMIGUARD® 4000 Series Palisade Fence System is available in 6-, 7-, 8-, 9-, 10-, 11- or 12-foot heights.

AMICO Security offers three highly corrosion resistant finishing options:

- Hot-Dip Galvanizing
- AMICOAT™ Powder coating over E-Coating or primer
- AMICOAT™ Duplex Coating, Powder coating over Hot-Dip Galvanizing

These finishes help protect and add color to our base materials creating stunning visual effects.

All Palisade fences can be installed using the AMIGUARD® Framework or the Chameleon® Bypass Rail Framework system with round or square posts. Both innovative frameworks reduce the labor costs significantly compared to traditional systems.



AMIGUARD® 4500 SERIES FLAT PALES

The AMIGUARD® 4500 Series Flat Pales use the same W-steel profile as the Tri-Point styles and offer the same structural strength with a less intimidating look. The AMIGUARD® 4500 style has the traditional spacing with a nominal gap of 3.25”.



AMIGUARD® 4600 SERIES TRI-POINT PALES

The AMIGUARD® 4600 Series Tri-Point Pales with their sharp points deter intruders from climbing over the fence. The AMIGUARD® 4600 style has the traditional spacing with a nominal gap of 3.25”.



AMIGUARD® 4700 SERIES BENT TRI-POINT PALES

The AMIGUARD® 4700 Series Bent Tri-Point Pales is the most popular style with the most intimidating look. The AMIGUARD® 4700 style has the traditional spacing with a nominal gap of 3.25”.



AMIGUARD® 4540, 4640 & 4740 WITH ANTI-SCALE SPACING

AMIGUARD® 4540, 4640 & 4740 styles have a smaller spacing between pales to deter climbing.



AMIGUARD® 4580, 4680 & 4780 WITH EXPANDED METAL

The AMIGUARD® 4000 series palisade fence system with the Anti-Scale option is available with Expanded Metal mesh installed between the pales and the Infini-Rails, adding an extra layer of security to the fence system which is difficult to breach.



AMIGUARD® 4000 SERIES WITH PRIVACY SLATS (SHOWN WITH AMIGUARD® 4740)

The AMIGUARD® 4000 Series Palisade fence system is available with optional Privacy Slats for added privacy and security. Privacy slats are available at standard and anti-scale spacing, and work with all three types of pales.

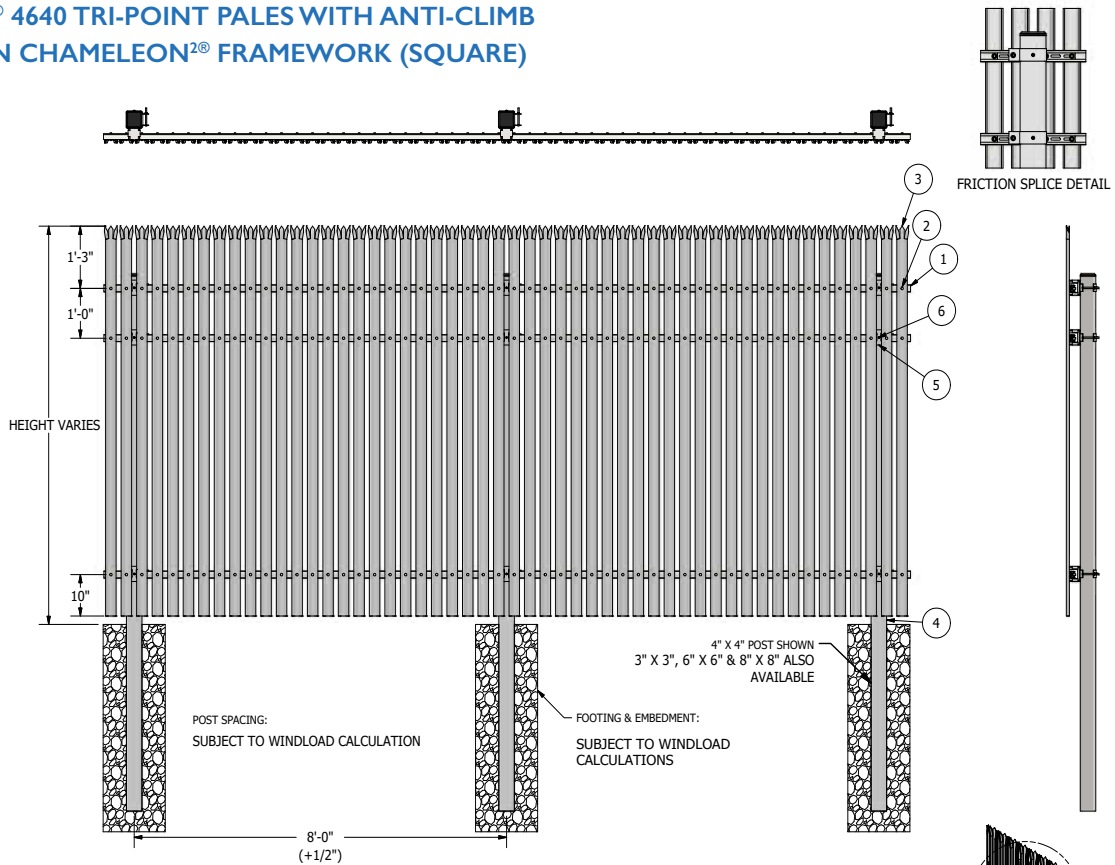
OPTIONS OF AMIGUARD® 4000 SERIES PALISADE FENCE SYSTEM

	Standard Spacing	Anti-Scale Spacing	Anti-Scale with Expanded Metal
Flat Pale	4500	4540	4580
Tri-Point Pale	4600	4640	4680
Bent Tri-Point Pale	4700	4740	4780

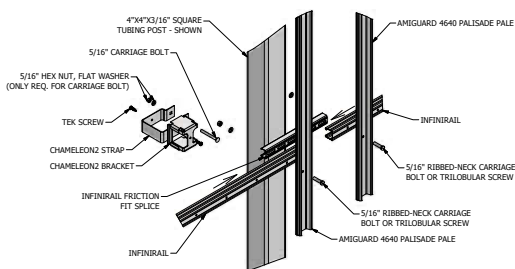
AMIGUARD[®] 4000 PALISADE FENCE

Our Engineering Department is here to assist you with all aspects of the design process for your project. Simple drawings to Engineered Stamped drawings are just a few things they can help with. They are always ready to collaborate with your Engineering Team to ensure your AMICO Security System is installed correctly.

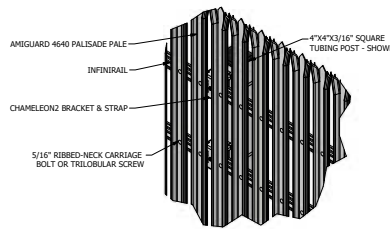
AMIGUARD[®] 4640 TRI-POINT PALES WITH ANTI-CLIMB SPACING ON CHAMELEON²[®] FRAMEWORK (SQUARE)



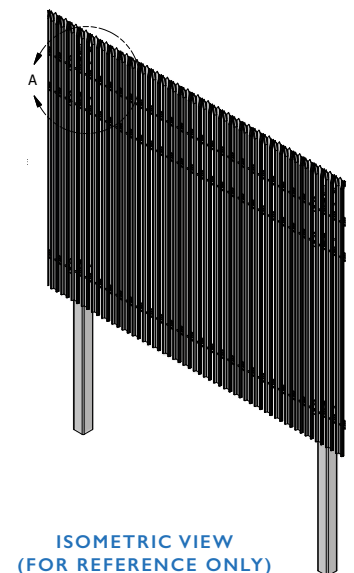
ELEVATION



EXPLODED VIEW



DETAIL A ASSEMBLED VIEW

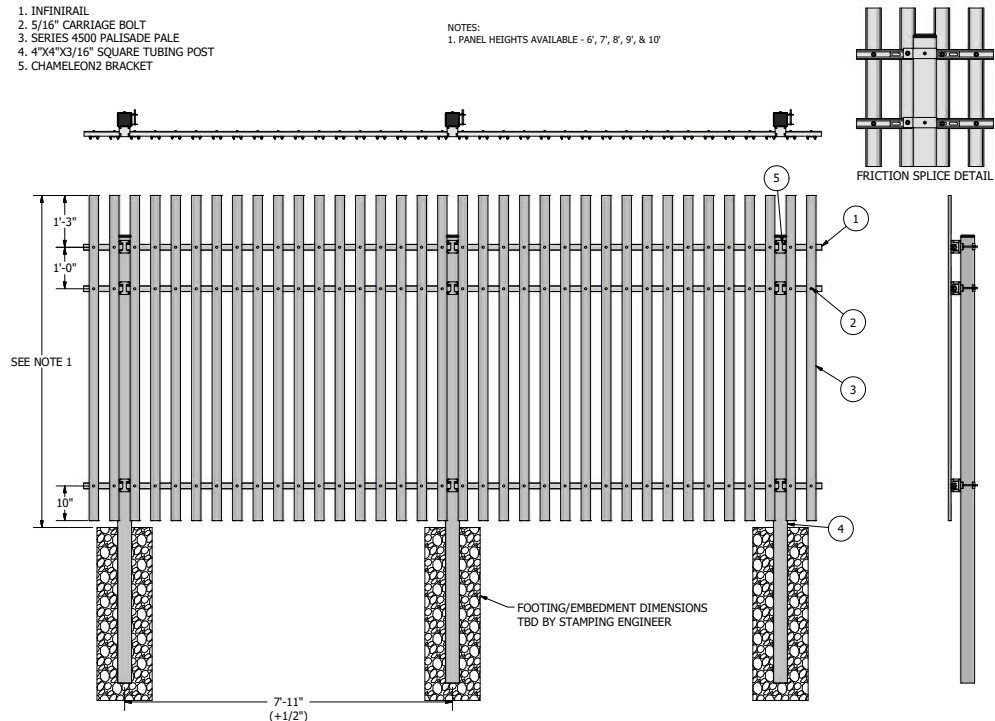




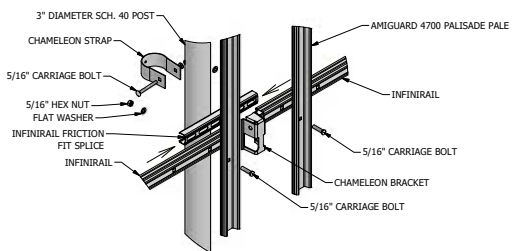
AMIGUARD® 4500 FLAT PALES WITH STANDARD SPACING ON CHAMELEON²® FRAMEWORK (SQUARE)

1. INFINIRAIL
2. 5/16" CARRIAGE BOLT
3. SERIES 4500 PALISADE PALE
4. 4"x4"x3/16" SQUARE TUBING POST
5. CHAMELEON² BRACKET

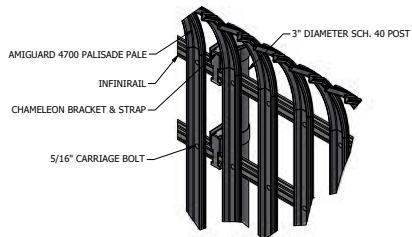
NOTES:
1. PANEL HEIGHTS AVAILABLE - 6', 7', 8', 9', & 10'



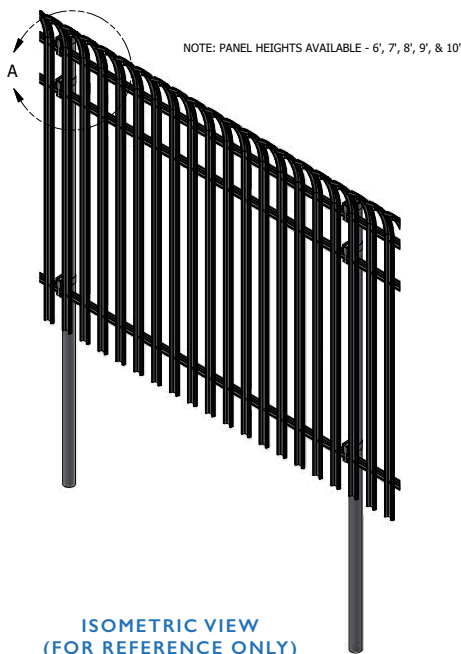
AMIGUARD® 4700 BENT TRI-POINT PALES WITH STANDARD SPACING ON CHAMELEON® FRAMEWORK (ROUND)



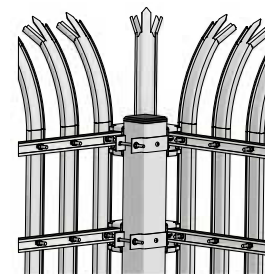
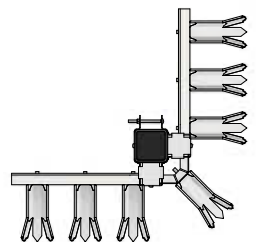
EXPLODED VIEW



DETAIL A
ASSEMBLED VIEW



AMIGUARD® 4700 PALES ON CHAMELEON²® FRAMEWORK (SQUARE)



AMIGUARD® 5000 WELDED WIRE PANELS



Top to Bottom, Left to Right
AMIGUARD® 5700,
AMIGUARD DUALGUARD®
MESH 5700/7700,
AMIGUARD® 5700 ON
RAIL-LESS FRAMEWORK





Top to Bottom, Left to Right
AMIGUARD® 5700,
AMIGUARD® 5500 ON
RAIL-LESS FRAMEWORK,
AMIGUARD® 5700 ON
RAIL-LESS FRAMEWORK,
AMIGUARD® 5600 ON
RAIL-LESS FRAMEWORK

PRODUCT/FENCE INFILLS

AMIGUARD® 5000 WELDED WIRE PANELS



The AMICO Security AMIGUARD® 5000 Series Wire Fence System addresses the drawbacks of chain link fencing. It enhances safety in a cost-effective system without compromising visibility or aesthetics.

AMICO Security Wire system includes 5500 double wire mesh, 5600 3D wire mesh and 5700 wire mesh for enhanced security. These meshes are coated with a polyester powder coating over galvanized wire. Panels come in 8- or 10-foot heights.

All meshes can be installed using the AMIGUARD® rail system or the AMIGUARD® rail-less system. The Chameleon retrofit system provides the solution for replacing chain link fabric with welded wire mesh while keeping the existing posts.

Product

**AMIGUARD® 5700
WELDED WIRE**



QUALITY

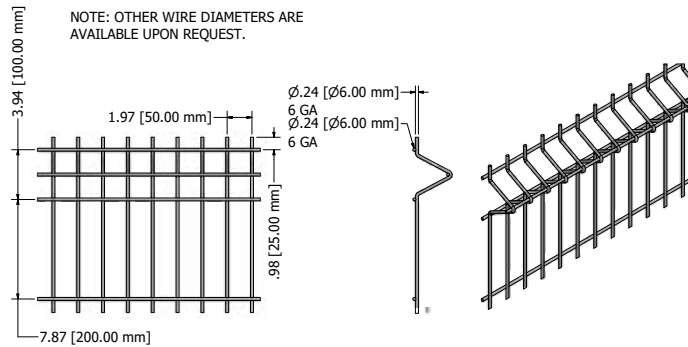
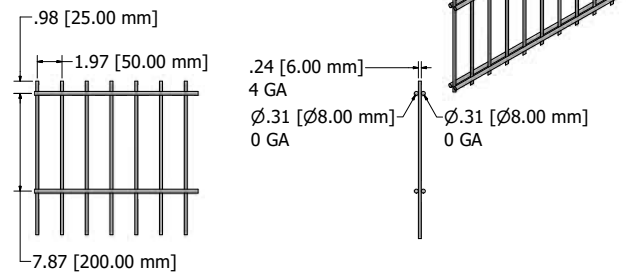
AMICO Security's Wire mesh panels are produced in one of the largest plants for reinforcement products and fencing panels in the world. High employee retention and experience positions AMICO Security Products as an industry leader in quality and safety. AMICO's continuous attention and improvement of its manufacturing processes ensures quality products, working conditions and improved environmental conditions.



5500 MESH

The 5500 mesh is a durable double wire panel and is available in hot dipped galvanized finish or the standard polyester powder coating over galvanized wire. The rods are welded at all intersections for strength and rigidity. These very solid .31"/.24"/.31" (8/6/8mm) double wire fences are perfectly suited for industrial estates, sports stadiums, public buildings, airfields, schools, etc.

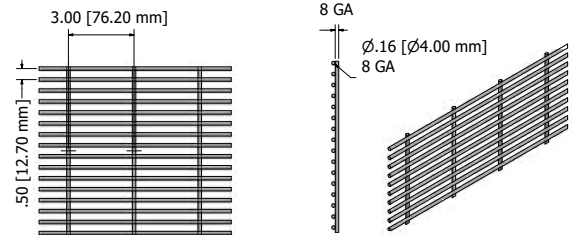
NOTE: OTHER WIRE DIAMETERS ARE AVAILABLE UPON REQUEST.



5600 MESH

The 5600 3DV-mesh is a cost effective solution for schools, residential, public and light industry applications. The 5600 Mesh is ideal for the AMIGUARD® rail-less Spider Clamp System since the integrated V gives the 5600 Mesh a structural rigidity similar to a fence mounted on a rail system.

NOTE: OTHER WIRE DIAMETERS PLUS ADDITIONAL HORIZONTAL WIRES ARE AVAILABLE UPON REQUEST.



5700 MESH

The 5700 wire mesh design makes it extremely difficult to scale or cut the fence without compromising visibility or aesthetics. The 0.5" spacing between the wires prevents getting a foothold for climbing, and it delays or deters cutting as power tools won't fit in. The 5700 Mesh is ideal for secure applications such as government, utilities, transportation, etc.



CHAMELEON® HIGH SECURITY RETROFIT FENCE SYSTEM

The AMICO Security Wire fence system is fully compatible with our Chameleon® retrofit system allowing you to utilize existing fence posts, saving time and material.



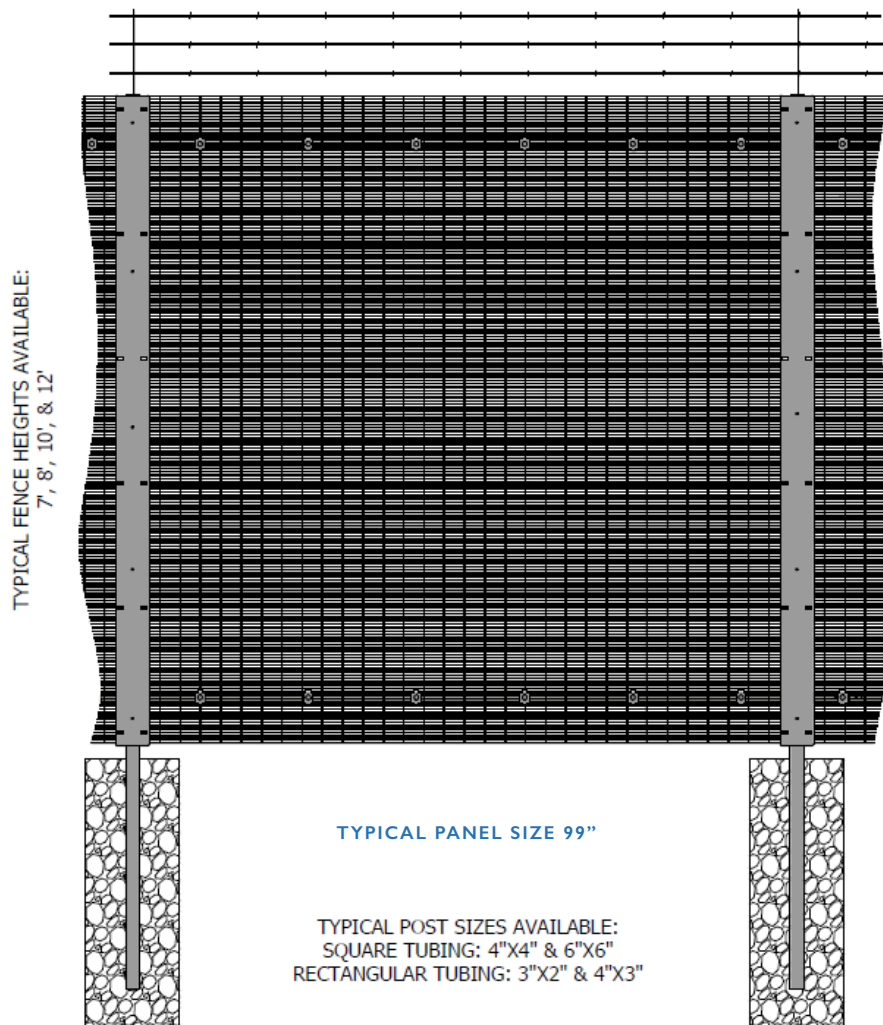
AMIGUARD® RAIL-LESS SYSTEM

The AMICO Security AMIGUARD® rail-less Spider Clamp System for the AMIGUARD® 5700 Mesh or the AMIGUARD® rail-less U-Bolt system for the AMIGUARD® 5500 & 5600 meshes are cost effective solutions for applications such as recreation: education facilities, public buildings, self-storage, parking facilities etc.

AMIGUARD[®] 5000 WELDED WIRE PANELS

Our Engineering Department is here to assist you with all aspects of the design process for your project. Simple drawings to Engineered Stamped drawings are just a few things they can help with. They are always ready to collaborate with your Engineering Team to ensure your AMICO Security System is installed correctly.

CHAMELEON²[®] PERIMETER SYSTEM AMIGUARD[®] 5700 PANELS

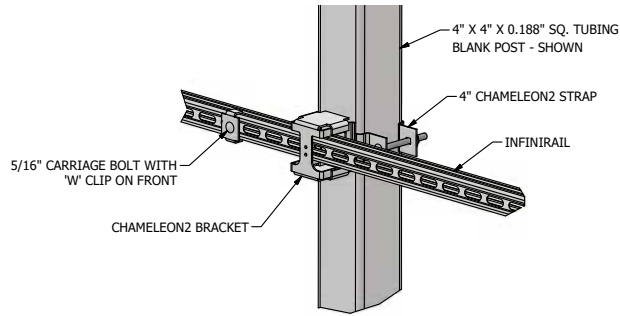


TOPPERS AVAILABLE:

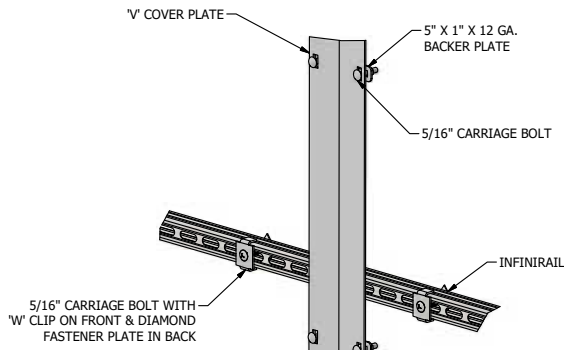
BARBED WIRE, RAZOR WIRE & SHARK TOOTH TOPPER



CHAMELEON²® PERIMETER SYSTEM AMIGUARD[®] 5700 PANELS

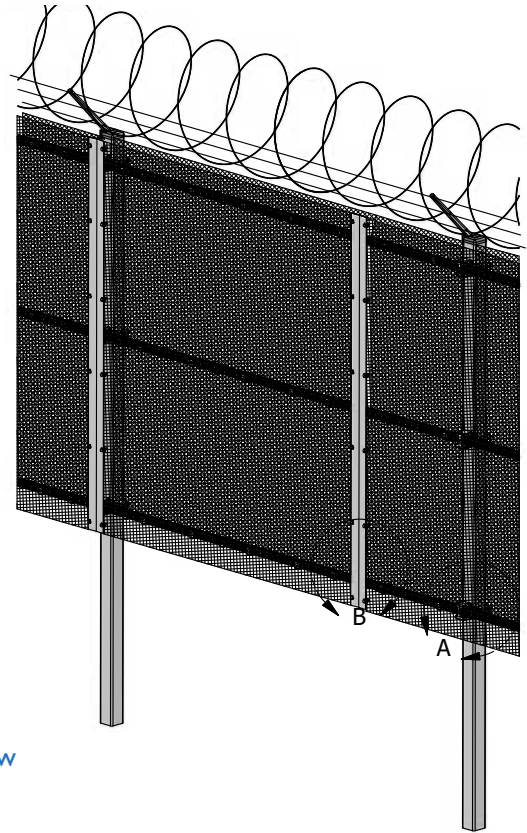


DETAIL A
(MESH PANELS REMOVED FOR CLARITY)



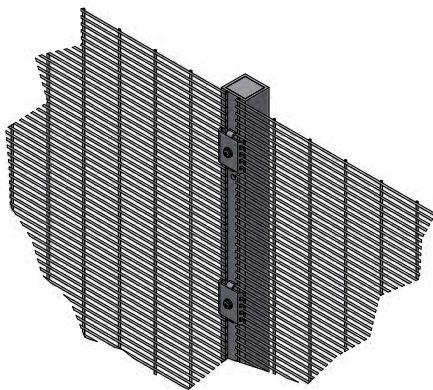
DETAIL B
(MESH PANELS REMOVED FOR CLARITY)

ISOMETRIC VIEW

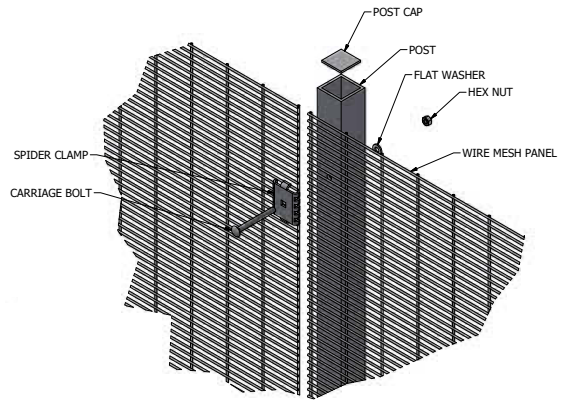


PRODUCT/FENCE INFILLS

AMIGUARD[®] RAIL-LESS SPIDER CLAMP SYSTEM FOR AMIGUARD[®] 5700 PANELS



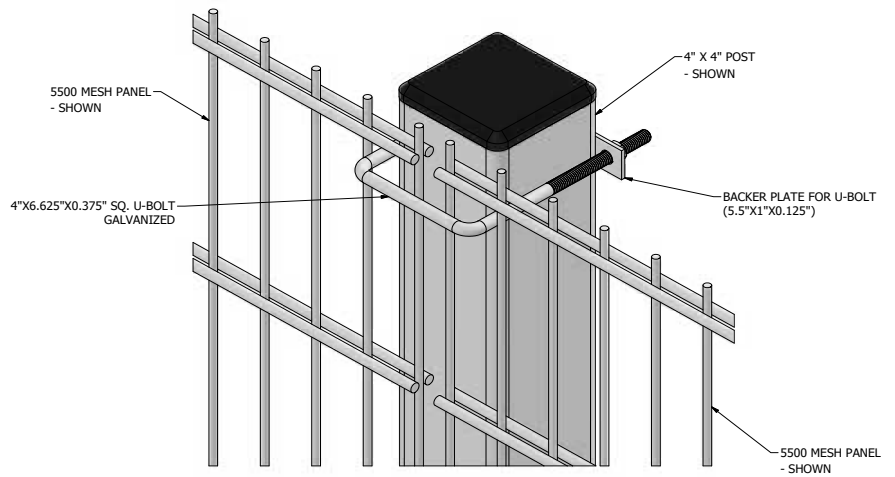
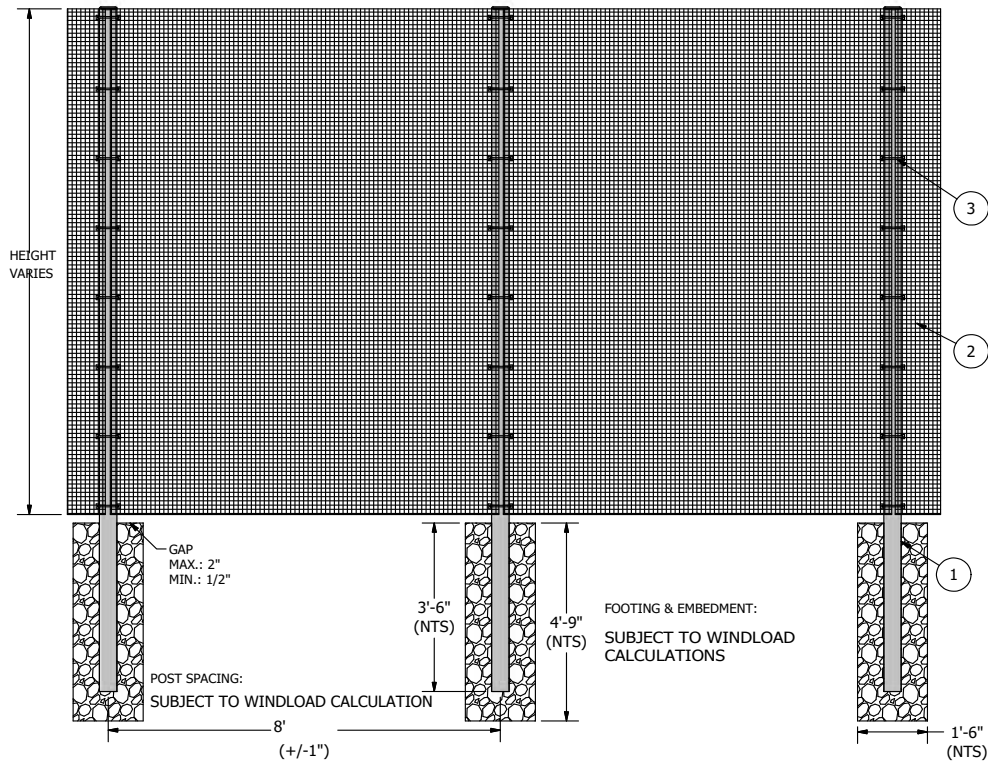
LINE POST DETAIL



EXPLODED VIEW

AMIGUARD® 5000 WELDED WIRE PANELS

AMIGUARD® RAIL-LESS U-BOLT SYSTEM FOR AMIGUARD® 5500 PANELS



AMIGUARD® 5700 DUO INFILL

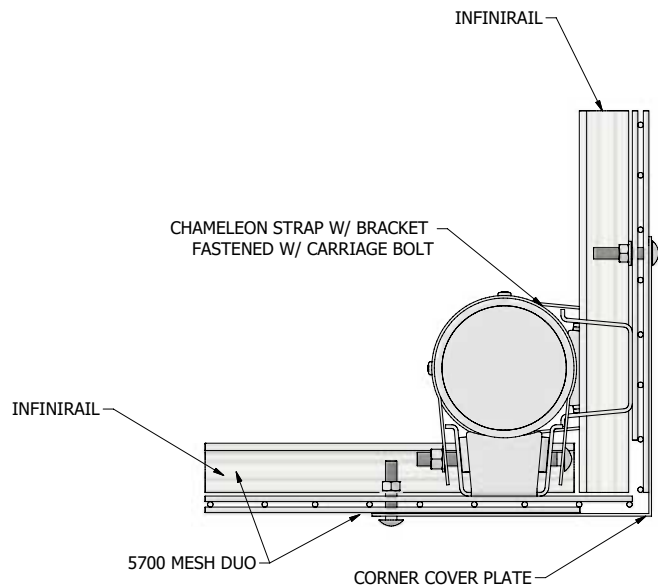
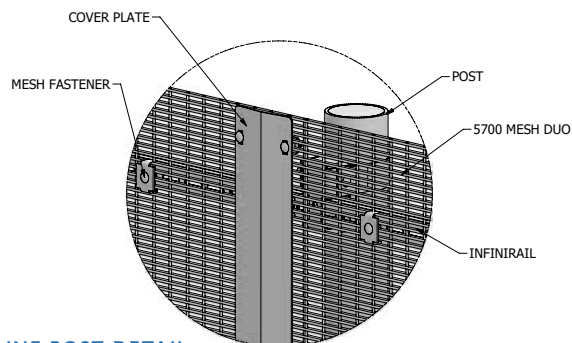
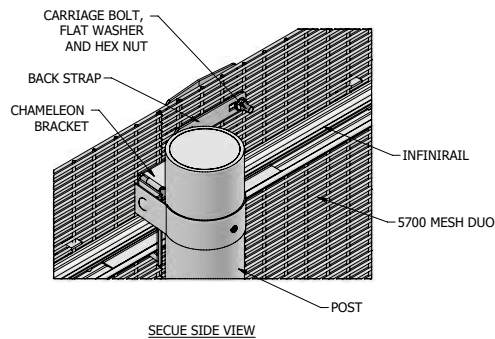


AMIGUARD® 5700 DUO WELDED WIRE INFILL

The AMIGUARD® 5700 Duo Welded Wire Infill on either Chameleon® or Chameleon2® with round or square posts respectively is our most secure welded wire fence product. It utilizes two regular AMIGUARD® 5700 Welded Wire panels which are nested into each other and are staggered by 1.5" inches to the side, resulting in a 1.5" wide by 0.5" tall wire pattern. The AMIGUARD® 5700 Duo Welded Wire Infill has two horizontal wires every 0.5" and one vertical wire every 1.5" significantly enhancing breach times. It also uses cover plates every 4' compared to every 8' of the standard Chameleon® Perimeter System.



CHAMELEON® PERIMETER SYSTEM WITH AMIGUARD® 5700 DUO WELDED WIRE INFILL

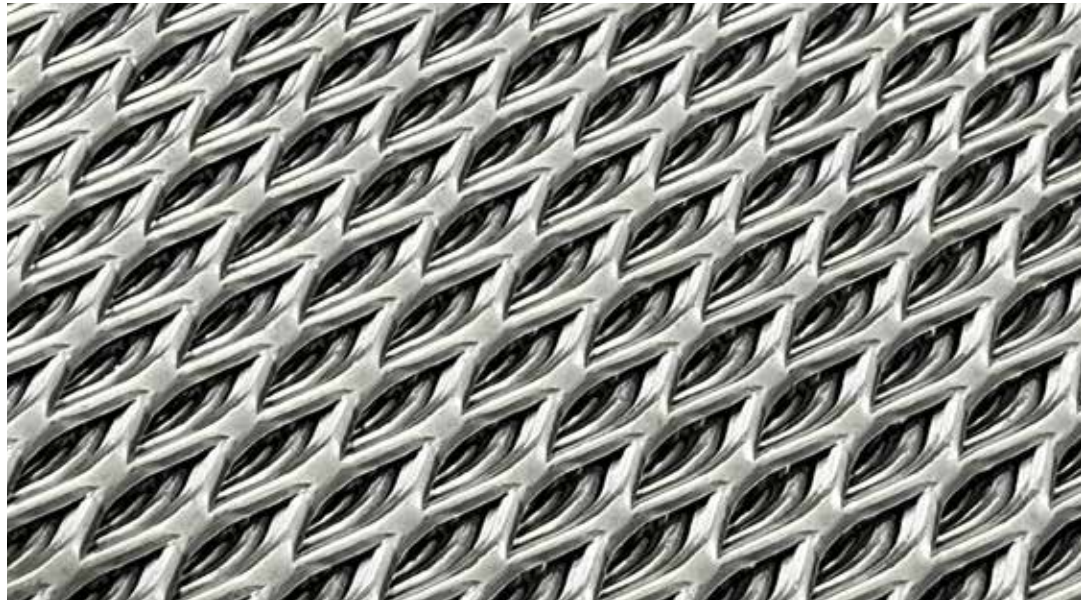


PRODUCT/FENCE INFILLS

AMIGUARD® 6000 & 7000 MESHES



Scan/click for
more info



DIAMOND TOUGH PERIMETER PROTECTION

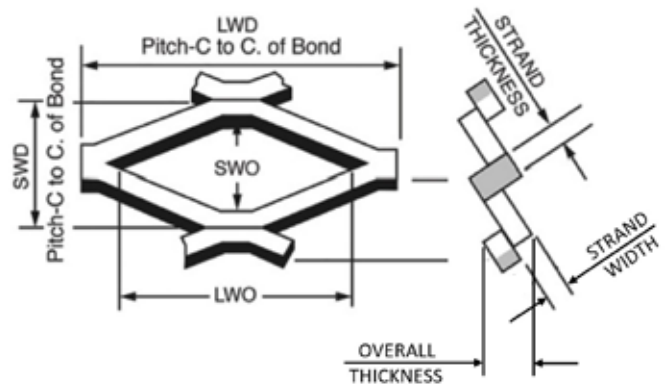


PRODUCT/FENCE INFILLS

AMIGUARD® 6000 & 7000 MESHES

Each AMIGUARD® 6000 Security Mesh and AMIGUARD® 7000 High Security Mesh panel goes through a process of slitting and stretching metal sheet to form the desired style. The Security Panel has strands and intersecting strands called bonds forming a sharp angle to the original plane of the solid sheet. This process creates the unique pattern and allows a single sheet of metal to be processed into several sheets of Security Mesh Panels.

AMICO Security offers a wide range of AMIGUARD®6000 Security Mesh and AMIGUARD® 7000 High Security Meshes. Meshes differentiate by weight and the size of the diamond openings. All meshes are available in Hot Dipped Galvanized or Black Powder coating over zinc primer/ zinc e-coating.



AMIGUARD® Mesh Style	Short Way of Diamond	Long Way of Diamond	Strand Thickness	Strand Width	Percent Open Area	Weight per sq. ft. galv.
6030	1.85"	4.00"	.134"	.149"	84%	.990 lbs
6050	1.33"	3.00"	.134"	.144"	78%	1.31 lbs
6100	.500"	1.20"	.090"	.096"	62%	1.63 lbs
6200	.923"	2.10"	.108"	.165"	64%	1.75 lbs
6300	.923"	2.00"	.134"	.150"	67%	1.96 lbs
6800	1.33"	3.00"	.198"	.203"	69%	2.65 lbs
7100	.500"	1.20"	.090"	.188"	25%	3.10 lbs
7300	1.28"	3.00"	.075"	.600"	6%	3.18lbs
7500	.925"	3.00"	.090"	.400"	14%	3.50 lbs
7700	1.00"	2.40"	.179"	.240"	52%	3.76 lbs
7800	1.00"	2.25"	.179"	.250"	50%	3.92 lbs

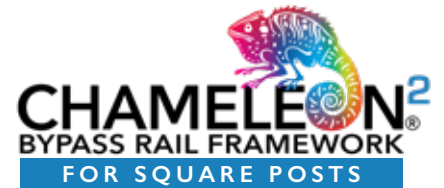
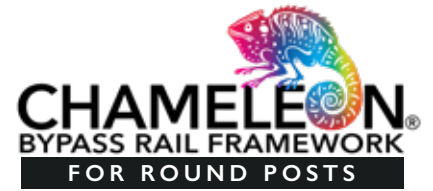
Tolerances: Short Way of Diamond (SWD) & Long Way of Diamond (LWD) 0 + 0.25" per 12" of width.





CHAMELEON® PERIMETER SYSTEM

The Chameleon® System is available with round posts or square posts, named Chameleon, or Chameleon2 respectively. Chameleon® uses a bypass rail system which is very flexible in terms of post spacing and offers a great variety of fence infills. Infills range from expanded metal panels to welded wire panels and palisade fencing. Our unique approach incorporates innovative solutions to solve common concerns including: security, aesthetics, seamless design, ease of installation, incorporation of impact and fiber optic cables and anti-cut / anti-climb mesh options.



PRODUCT/FENCE INFILLS

AMIGUARD® 8000 SERIES GATES

Every AMIGUARD® 6000 Security Mesh and AMIGUARD® 7000 High Security Mesh panel is fully compatible with our AMIGUARD® 8000 Series Gates. AMIGUARD® 8000 Series Gates from AMICO Security provide safe, security and access control for industrial, commercial and residential sites. Gates range from Pedestrian Gates, Swing Gates measuring from 3 ft. to 90 ft. and up to Cantilever Gates for openings ranging from 10 ft. to 180 ft.

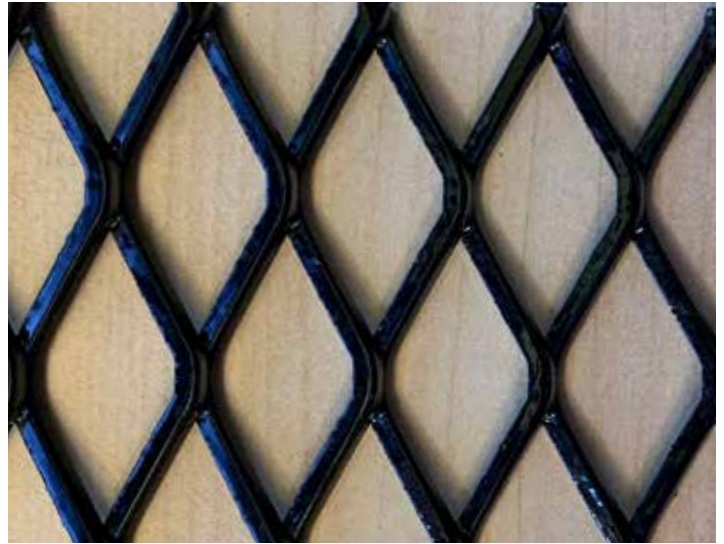


AMIGUARD® 6000 SERIES SECURITY MESHES



Top to Bottom, Left to Right, Samples shown in 1:1 scale

AMIGUARD® 6030 SECURITY MESH,
AMIGUARD® 6050 SECURITY MESH,
AMIGUARD® 6100 SECURITY MESH,
AMIGUARD® 6200 SECURITY MESH

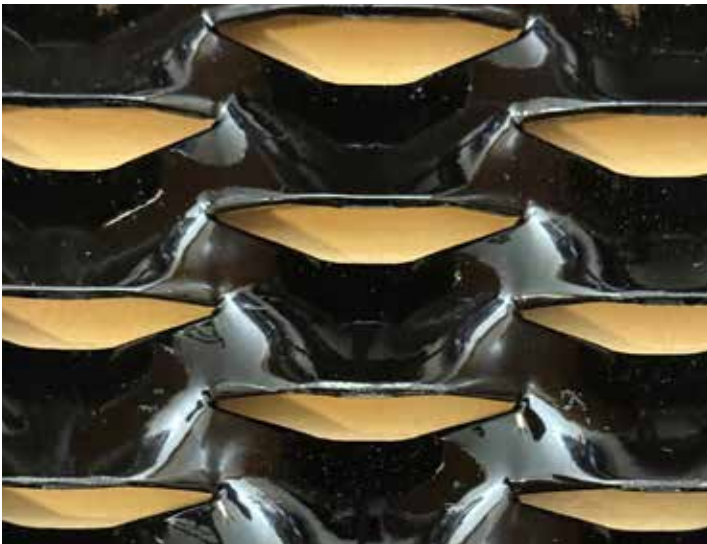


PRODUCT/FENCE INFILLS

Top to Bottom, Left to Right

AMIGUARD® 6100 SECURITY MESH,
AMIGUARD® 6300 SECURITY MESH,
AMIGUARD® 6800 SECURITY MESH,
AMIGUARD® 6300 SECURITY MESH

AMIGUARD® 7000 SERIES HIGH SECURITY MESHES



Top to Bottom, Left to Right, Samples shown in 1:1 scale

AMIGUARD® 7100 HIGH SECURITY MESH,
AMIGUARD® 7100 HIGH SECURITY MESH,
AMIGUARD® 7300 HIGH SECURITY MESH,
AMIGUARD® 7500 HIGH SECURITY MESH



PRODUCT/FENCE INFILLS

Top to Bottom

AMIGUARD® 7700 HIGH SECURITY MESH,
AMIGUARD® 7800 HIGH SECURITY MESH

AMIGUARD ANIMAL SHIELD®



Top to Bottom, Left to Right

AMIGUARD ANIMAL SHIELD® 6100,
ANC AMIGUARD ANIMAL SHIELD® 3100,
AMIGUARD ANIMAL SHIELD® 7100



This snake slithered into a substation and caused a flash resulting in a fire causing a power outage and severe equipment damage.

Photo: Broad River Electric



PRODUCT/FENCE INFILLS

Product

AMIGUARD® 8000 SERIES GATES WITH
ANIMAL SHIELD® 6100 MESH

AMIGUARD ANIMAL SHIELD®



The AMIGUARD Animal Shield® systems protect substations from small animals. The presence of herpetofauna (snakes, turtles, lizards, frogs, salamanders, etc.) in an electrical substation can cause a variety of system problems. This may include momentary disturbances of electrical systems, long-term system outages and severe damage to electrical equipment, leading to both a loss of revenue and a decline in customer satisfaction. In addition, personal safety and health issues are always of high concern if operations personnel were to encounter a live animal. Wildlife entering a substation has the potential to lead to animal waste, carcasses and with this, the risk of disease.

Product

AMIGUARD ANIMAL SHIELD® 6100

With our AMIGUARD Animal Shield® systems, AMICO Security developed the highest quality and reliable product for animal deterrence. The entire perimeter protection system including AMIGUARD® 8000 Series Gates have been designed with effective animal deterrence in mind.

The AMIGUARD Animal Shield® systems are available in two different designs, and are available in metal and non-metal, non-conductive versions:

- AMIGUARD Animal Shield® 6100 & 7100 a fully integrated animal deterrence system
- AMIGUARD Animal Shield® 5000 a traditional V-Shaped animal deterrence design
- ANC Animal Shield® 2100 & 3100 a fully integrated, non-metal, non-conductive animal deterrence system

UNIQUE BENEFITS OF ANIMAL SHIELD® 2100, 3100, 6100 & 7100

- More cost effective and reliable compared to traditional animal deterrent systems
- Proven animal mitigation design
- Fully integrated into AMIGUARD® 6100 Security or 7100 High Security fence panels
- No additional labor
- No additional fasteners
- Available in metal and non-metal, non-conductive versions
- Designs certified by Herpetologist, exceed IEEE 1264-15 Standard



AMIGUARD ANIMAL SHIELD® 6100 & 7100

The AMIGUARD Animal Shield® 6100 & 7100 systems address the major drawbacks of the current animal mitigation systems in the market: costs and labor intensive installation. Since the attractive and highly effective designs are fully integrated into the AMIGUARD® 6100 Security or AMIGUARD® 7100 High Security fence panels there are no additional installation labor costs and no additional fasteners, therefore those systems are ideally suited for substation protection. Each AMIGUARD® 6000 and 7000 Series Security Mesh panel goes through a process of slitting and stretching metal sheet to form the desired style. During the production of the Animal Shield® 6100 and 7100 Mesh the industrial press creates a 2' high solid plane of metal, fully integrated into the regular AMIGUARD® 6100 Security or AMIGUARD® 7100 High Security fence panels.



AMIGUARD® ANIMAL SHIELD® 5000

The AMIGUARD® Animal Shield® 5000 V-Shaped design is based on the oldest animal deterrence design in the market, first patented in 1891. The AMIGUARD® Animal Shield® 5000 mounts against the top Infini-Rail® which is an integral part of the AMIGUARD® and CHAMELEON® Perimeter systems frameworks. The 14 Ga design provides rigidity without any additional labor intensive braces.

ANC ANIMAL SHIELD® 2100 & 3100

ANC Animal Shield® 2100 & 3100 combines the benefit of the metal AMIGUARD Animal Shield® 6100 & 7100 with the non-metal ANC® Non Conductive fence system. ANC Animal Shield® 2100 & 3100 deters animals and protects against unforeseen occurrences related to touch and step potential.



CHAMELEON® PERIMETER SYSTEM

The metal steel AMIGUARD Animal Shield® designs are fully integrated into our CHAMELEON® Perimeter Systems. Chameleon® uses a bypass rail system which is very flexible in terms of post spacing and offers a great variety of fence infills. Infills range from expanded metal panels to welded wire panels and palisade fencing. The patented Chameleon® System, patents: see www.amicoglobal.com/patents, is available with round posts or square posts, named Chameleon®, or Chameleon²® respectively.

EXCEED IEEE 1264-15 & CERTIFIED BY HERPETOLOGIST

All three AMIGUARD Animal Shield® designs, the Animal Shield® 5000, 6100 and 7100 are specifically designed for substation protection, exceed IEEE 1264-15 Standard "Guide for Animal Deterrents for Electric Power Supply Substations", and have been certified by a Herpetologist to be effective systems in deterring small animals from entering substations.

PRODUCT/FENCE INFILLS

AMIGUARD® APEX FENCING



Product

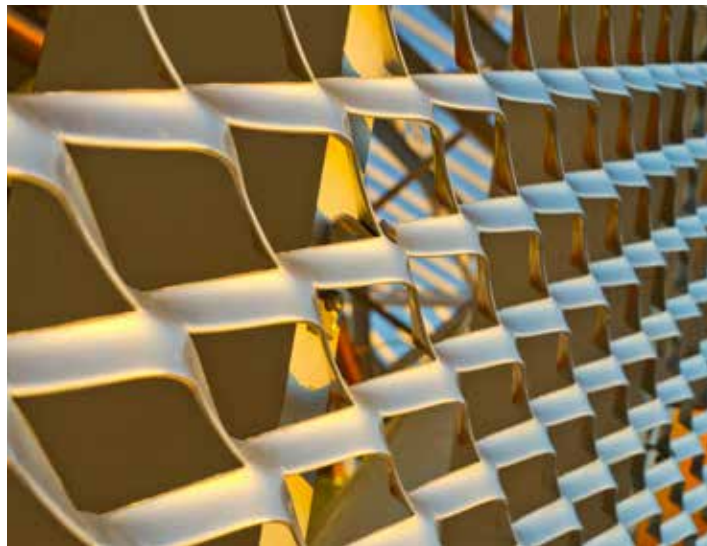
ARCHITECTURAL
EXPANDED MESH SYSTEMS



ARCHITECTURAL EXPANDED METALS



PRODUCT/FENCE INFILLS



AMIGUARD® APEX FENCING



AMICO Security has created APEX, a new line of high-quality Architectural Expanded Products. The APEX line offers a unique combination of opacity, translucency, texture and structural integrity. The ability to design unique mesh patterns in combination with engineered fastening systems allows AMICO to partner with you on a project from design development through installation.





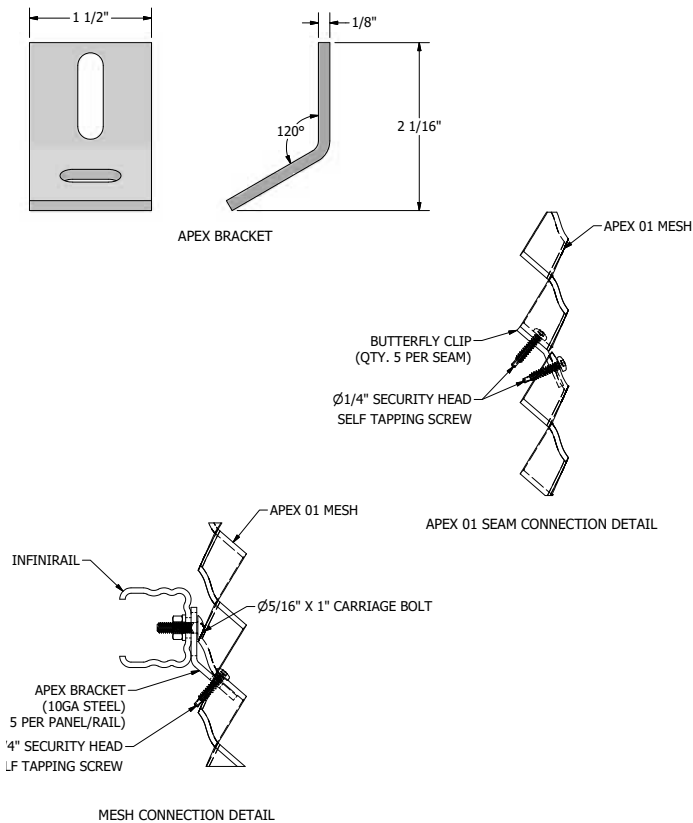
APEX 01 MESH

APEX 01	Short Way Diamond	Long Way Diamond	Visual % Open Area	Weight
Steel	3.50"	8.00"	46%	2.24 lbs/sq ft

APEX 03 MESH

APEX 03	Short Way Diamond	Long Way Diamond	Visual % Open Area	Weight
Steel	2.50"	6.00"	26%	3.13 lbs/sq ft

APEX01 STANDARD DIAMOND ORIENTATION (SDO) MOUNTING BRACKETS SHOWN AS EXAMPLE



MATERIALS

Most malleable materials can be expanded, perforated and produced into mesh. Steel, Stainless steel and aluminum are the most common. Other metals such as brass, copper, gold, platinum and titanium can also be used. Each of these materials has its own "special" characteristics: aluminum gives lightweight longevity, steel brings strength, and copper ages beautifully, maturing to stunning verdigris.



FINISHES

AMICO Security offers three highly corrosion resistant finishing options

- Hot-Dip Galvanizing
- AMICOAT™ Powder coating over E-Coating or primer
- AMICOAT™ Duplex Coating, Powder coating over Hot-Dip Galvanizing

These finishes help protect and add color to our base materials creating stunning visual effects.

AMIGUARD BALLISTIC PANELS™



Product

AMIGUARD® 4740
PALISADE FENCE WITH
AMIGUARD® BALLISTIC
PANELS

OUR FENCE WALL SYSTEMS CAN PROTECT CRITICAL ASSETS FROM RIFLE ATTACKS

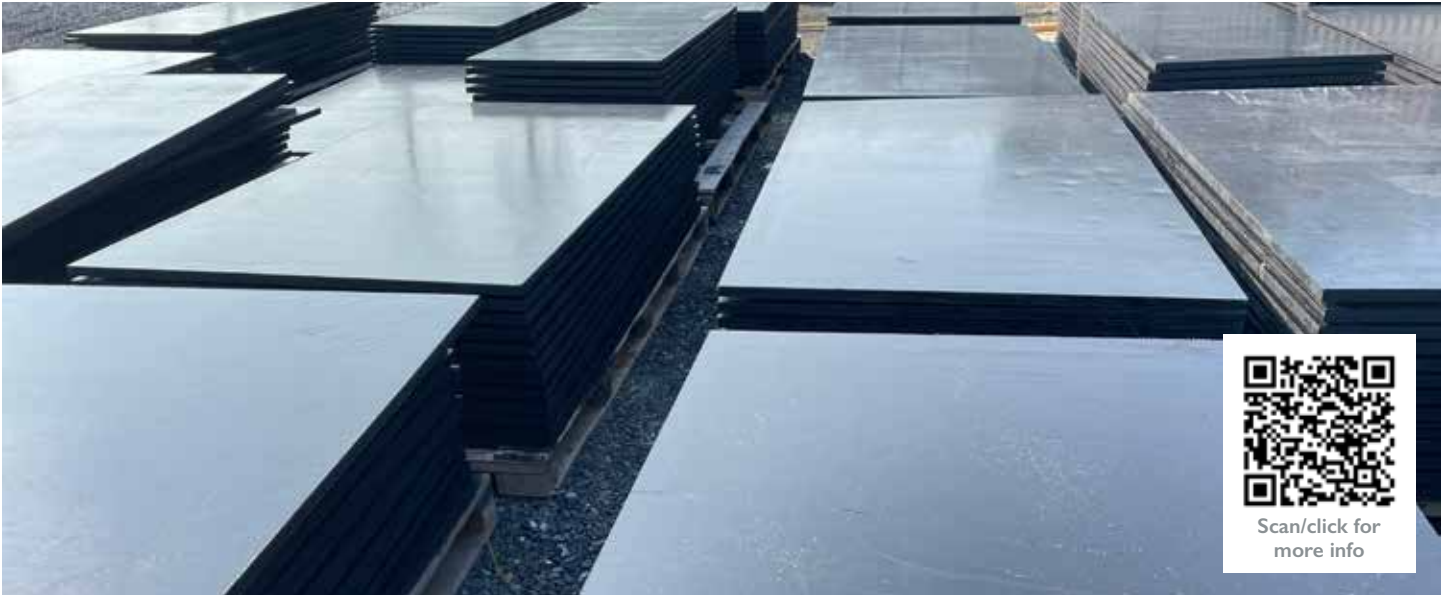


Our gates can stop “drive by” gun fire.



PRODUCT/FENCE INFILLS

AMIGUARD BALLISTIC PANELS™



AMIGUARD® Ballistic Panels for ballistic fence, wall and gate systems are being manufactured by a world leading manufacturer of bullet resistant fiberglass. The composite laminate consists of fiberglass reinforced thermoset resin designed to defeat a projectile through a process of energy absorption through controlled delamination and energy dissipation.

The fiberglass reinforcement transfers the energy of the bullet across the width of the panel. In addition, the resin is designed to separate into individual plies through a process of controlled delamination to eventually absorb all the energy and stop the bullet within the laminate. Once the plies have begun to delaminate, additional shots become progressively easier to defeat because the energy is more readily absorbed by the laminate.

In contrast to metal barriers, the fiberglass laminate is designed to prevent ricochet of the projectile as well as spalling on the non-threat side of the bullet resistant panel.

Bullet resistant fiberglass panels are used to protect the employees, buildings, and other critical assets for many types of commercial and industrial organizations including: electric utilities, military and government facilities, law enforcement locations, and more.

Through our custom design for bullet-resistant panels, we've developed the highest quality and reliable product for defensive architecture.

UNIQUE BENEFITS OF AMIGUARD® BALLISTIC PANELS

- Lighter Weight Than Steel
- Easy To Install With Standard Tools
- Effective Delay Against Forced Entry
- Low Wicking – No Build-Up Of Mold
- Non-Toxic Materials
- 1-Hour Fire Rating (ASTM E119-00)
- Available In Sizes Up To 5' x 10'
- Available In The Full Range Of UL 752
- Standard Sizes Stocked for Quicker Lead Times





AMIGUARD® BALLISTIC PANELS MANUFACTURING PROCESS

High-quality materials, skilled craftsmanship and the best manufacturing processes are utilized in the fabrication of each and every AMIGUARD® Ballistic Panel. Continuous product testing ensures that our panels meet the highest criteria of ballistic resistive integrity.

The first element of manufacturing quality bullet-resistant panels is using only reliable and long-lasting raw materials. One reason that the AMICO Security product line has become the preferred bullet resistant fiberglass panel is our commitment to not use starch-oil fiberglass, which is organic and tends to break down in time.

AMICO Security's bullet-resistant panels are manufactured by combining woven-roving fiberglass with resin, precision-assembled and cured in a press with heat and pressure while maintaining quality and consistency. With our unique capabilities including hydraulic presses, water jet cutting, industrial sanders and testing facilities, AMIGUARD® Ballistic Panel are offered in a variety of standard size sheets ranging from 3', 4' & 5' widths by 8', 9' & 10' lengths of any combination. We also offer custom cutting to fit your unique design with the ability to cut to any 2-dimensional size, pre-drill holes, bevel cut, etc. Our intensive Quality Assurance Program in conjunction with our ISO 9001:2015 registration will ensure every panel we manufacture meets and/or exceeds our customers' requirements.



UL 752 PROTECTION LEVELS

UL Rating	Nominal Thickness	Nominal Weight lbs/sq. ft	Ammunition	Grain	(g)	Min fps	Velocity (m/s)	# of Shots
Level 1	1/4"	2.6	9mm Full Metal Copper Jacket with Lead Core	124	8.0	1175	358	3
Level 2	5/16"	3.6	.357 Magnum Jacketed Lead Soft Point	158	10.2	1250	381	3
Level 3	7/16"	4.8	.44 Magnum Lead Semi-Wadcutter Gas Checked	240	15.6	1350	411	3
Level 4	1-3/8"	13.9	.30 Caliber Rifle Lead Core	180	11.7	2450	774	1
Level 5	1-7/16"	14.8	7.62mm Rifle Lead Core Full Metal Copper Jacket Military Ball	150	9.7	2750	838	1
Level 6	3/8"	3.9	9mm Full Metal Copper Jacket with Lead Core	124	8.0	1400	427	5
Level 7	1-1/8"	11.7	5.56mm Rifle Full Metal Copper Jacket with Lead Core	55	3.56	3080	939	5
Level 8	1-7/16"	15.2	7.62mm Rifle Lead Core Full Metal Copper Jacket Military Ball	150	9.7	2750	838	5

Target Range 15 ft. - Level 3 panels carry a Class IV Forced Entry Protection rating, per ASTM F1233
UL 752 12th edition panels are available upon request

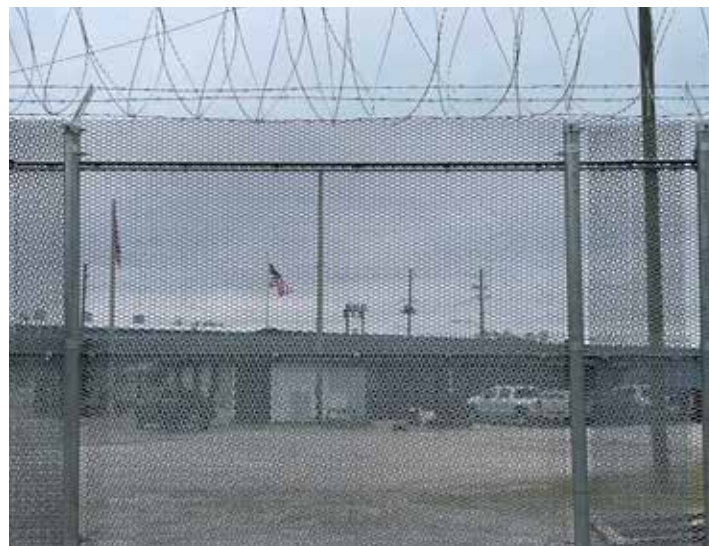
AMIGUARD DUALGUARD® MESH

Product

AMIGUARD DUALGUARD®
MESH 5700/7700



INCREASES ASTM F2781
BREACH TIMES BY AT
LEAST 4 FOLD



Top to Bottom

AMIGUARD DUALGUARD®
MESH 5700/7700,
DUALGUARD® MESH
5700/7700,
MODULAR BARRIER
FENCE® WITH
DUALGUARD® MESH 6300

PRODUCT/FENCE INFILLS

AMIGUARD DUALGUARD® MESH



The AMIGUARD DualGuard® dual layer infills provides added security. The additional infill significantly increases the time required to breach the fence.

The ASTM F2781-15 Standard Practice for Testing Forced Entry, Ballistic and Low Impact Resistance of Security Fence Systems defines a successful breach if the attacker manages to cut a 2' x 2' opening into the fence. While access to the first mesh is straight forward, access to the second mesh of the DualGuard® mesh is much more difficult resulting in a significant increase in breach time.

An additional design feature of DualGuard® is to rotate one mesh by 90 degrees relative to the other mesh which makes cutting those meshes even more difficult. Tests have shown that the times to breach two meshes mounted a few inches parallel will require at least twice the amount of time required to breach the two meshes individually.

This is a true occurrence of $1 + 1 > 4!$

Product

AMIGUARD DUALGUARD®
MESH 5700/7700



DETER, DETECT, DELAY, & DENY

The Planning for Physical Security follows the Deter, Detect, Delay, & Deny steps. Deter is the first step, it aims to discourage the adversary's actions of attempting to breach a security fence to begin with intimidating signage and fence design. If the risk of being caught or the consequences seems high, adversaries are likely to move onto another target. The AMIGUARD DualGuard® fence is a major contributor to deterrence as it is looks as tough as it is to breach.

Delay is an important aspect of the security planning and security fencing design. The AMIGUARD DualGuard® fence design includes two independent fencing infills spaced a few inches apart. While access to the first panel is straight forward, access to the second panel is extremely difficult if bad actors have to rely on a small 2' x 2' opening. They either have to cut a larger opening into the first mesh or have to cope with limited access to the second panel.

The increased breach time of the AMIGUARD DualGuard® typically buys sufficient time for first responders to respond and to capture the bad actors.



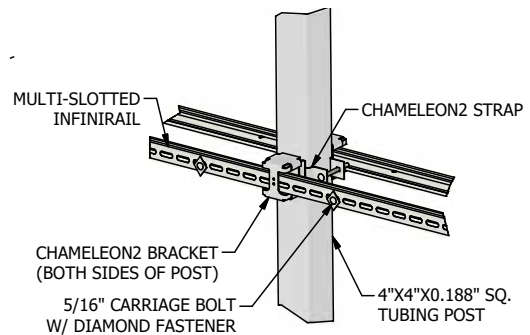
AMIGUARD® INFILLS

The AMIGUARD DualGuard® fence works with any of the AMIGUARD® Infills like the AMIGUARD® 4000 Series Palisade Pales, the AMIGUARD® 5000 Series Welded Wire Panels, the AMIGUARD® 6000 Series Security Expanded Metal Mesh or the AMIGUARD® 7000 Series High Security Expanded Metal Mesh. The infills could be identical, or chosen based on aesthetics for the attack side mesh and breach times for the secure side.

The orientation of two identical expanded metal panels is typically rotated to add extra toughness. The two infills of the AMIGUARD DualGuard® design need either be different or rotated to prevent cutting both infills in the same cutting operation.

DUALGUARD PLUS®

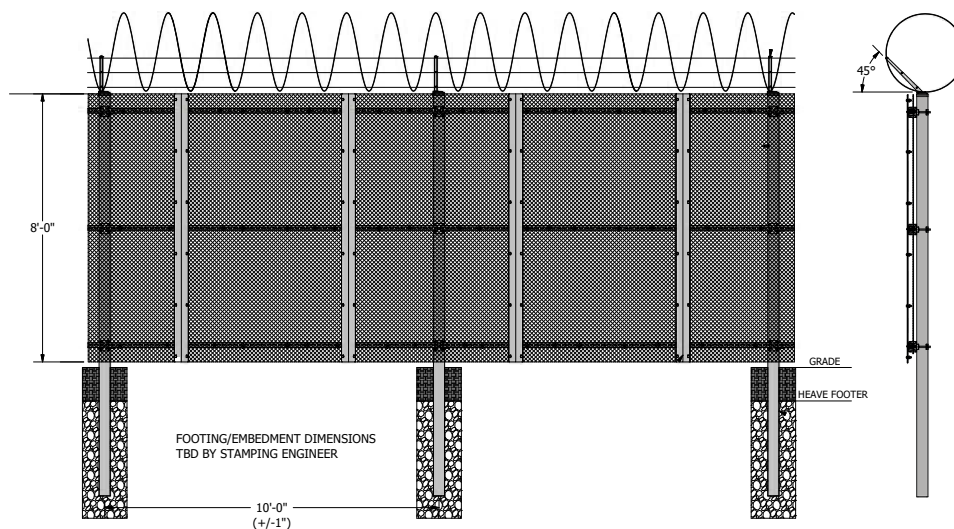
AMIGUARD DualGuard Plus® provides added security. This dual mesh/ dual rail design increases the breach times by adding extra spacing between the infill on the attack side and the secondary infill on the secure side of the fence. Depending on the post size add at least 6" of extra spacing between the two infills making a successful breach very difficult.



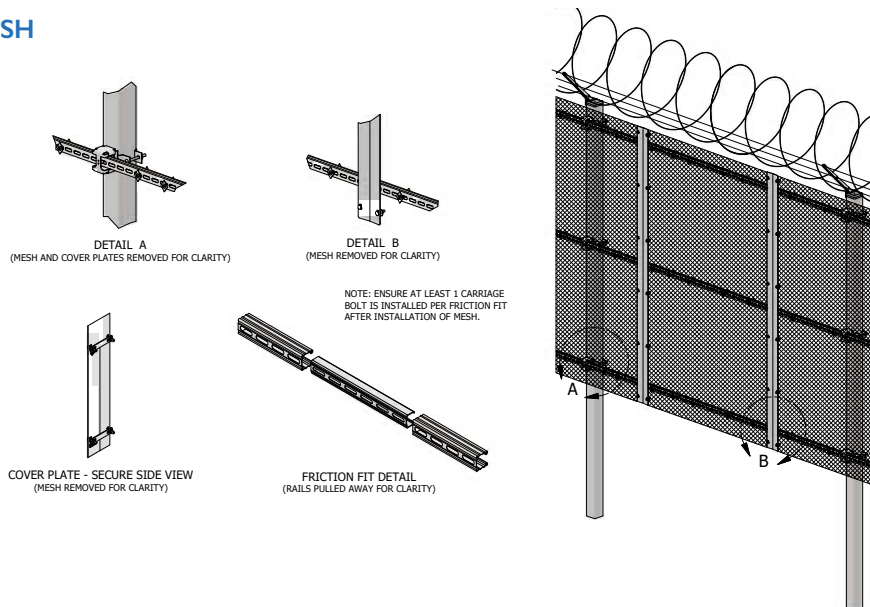
DUALGUARD® MESH DETAILS

Our Engineering Department is here to assist you with all aspects of the design process for your project. Simple drawings to Engineered Stamped drawings are just a few things they can help with. They are always ready to collaborate with your Engineering Team to ensure your AMICO Security System is installed correctly.

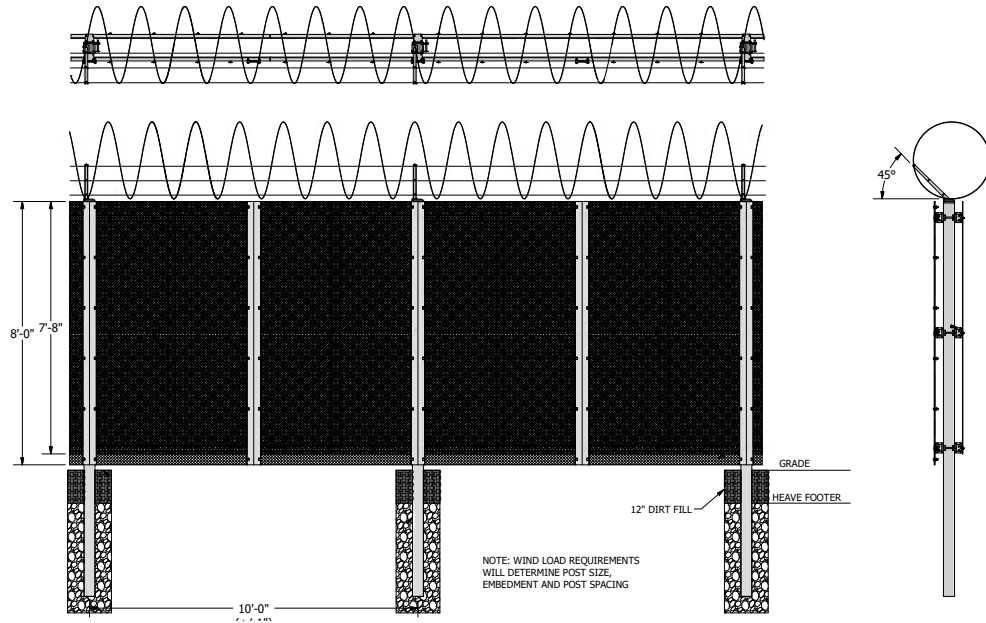
TOPPERS AVAILABLE: BARBED WIRE, RAZOR WIRE & SHARK TOOTH TOPPER



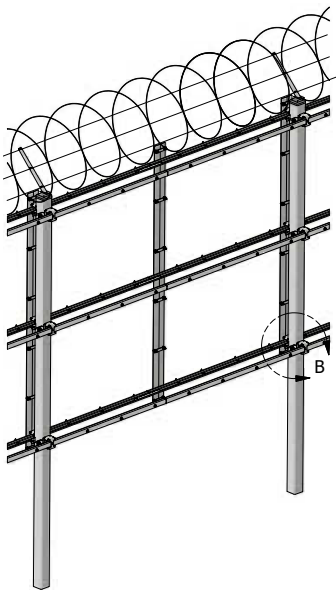
DUALGUARD® MESH



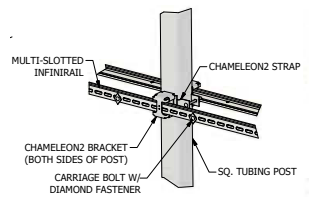
DUALGUARD PLUS[®] MESH DETAILS



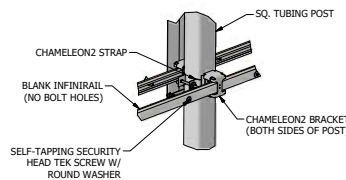
PRODUCT/FENCE INFILLS



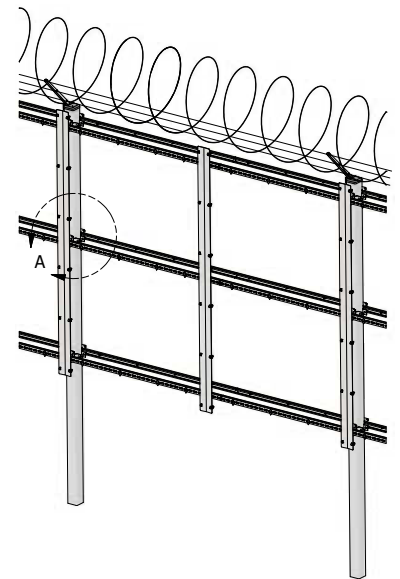
**3D VIEW SECURE SIDE
(MESH PROVIDED FOR CLARITY)**



**DETAIL A
(COVER PLATE REMOVED FOR CLARITY)**



DETAIL B



**3D VIEW ATTACK SIDE
(MESH PROVIDED FOR CLARITY)**

AMIGUARD® 8000 SERIES GATES



Top to Bottom

AMIGUARD® 8500
CANTILEVER GATE
WITH AMIGUARD®
4700 PALISADE INFILL,
CANTILEVER GATE WITH
AMIGUARD® 7700 HIGH
SECURITY MESH

DIAMOND TOUGH PERIMETER PROTECTION



PRODUCT/FENCE INFILLS

Top to Bottom, Left to Right

CANTILEVER GATE WITH AMIGUARD® 6100 INFILL,
AMIGUARD® 8500 BALLISTIC CANTILEVER GATE,
AMIGUARD® 8500 CANTILEVER GATE WITH
AMIGUARD® 5700 WELDED WIRE INFILL

AMIGUARD® 8000 SERIES GATES



AMICO Security is now a leading single-source provider of integrated access control solutions and expert technical support for industrial, commercial, and residential applications. The AMIGUARD® 8000 Series Gates are fully integrated with our Security fence product lines and AMIGUARD® meshes.

Since 1990 we have partnered with contractors, installers, architects, and engineers to deliver high-quality designs, products, and services for complete access control. Our knowledge and experience is specialized across multiple security platforms ranging from residential lifestyle and community entry, to industrial and commercial access, to the most stringent high security protection demands.

AMIGUARD® 8000 Series Gates from AMICO Security provide security and access control for industrial, commercial and residential sites. Specify the gate alone, or request a complete, integrated solution with the gate operator and access control system that meets your project requirements. AMICO Security also offers gate customization services.

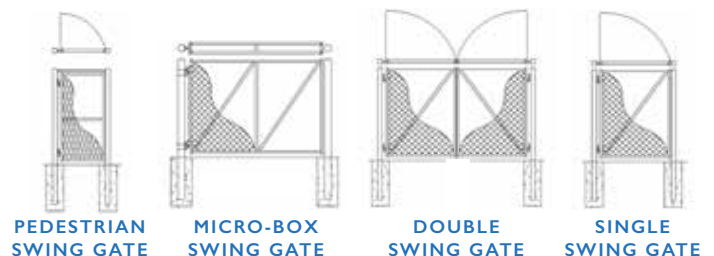
AMIGUARD® 8300 SWING GATES

High-Performance Features

- Durable aluminum construction to endure stresses, prevent rusting and extend the life of the gate operator
- The look of steel with the lighter-weight, corrosion-resistant, high-cycle operation
- All welded construction for greater frame strength and rigidity
- Precision-machined, permanently lubricated hinges for long-term performance
- Manual or automatic operation

Specifications

- For openings measuring from 3 ft. to 20 ft. (standard)
- Standard or micro-box frame
- Three-year limited warranty



PEDESTRIAN SWING GATE

MICRO-BOX SWING GATE

DOUBLE SWING GATE

SINGLE SWING GATE



ANC NON CONDUCTIVE SWING & SLIDE GATES

AMICO Security developed the ANC non conductive fence system as a total perimeter solution to offer a safe, aesthetically pleasing, non-conductive, radar friendly alternative to traditional fencing. The ANC Non Conductive Swing & Slide Gates are part of this non-conductive product family. ANC is growing rapidly in popularity and has many applications and advantages.

All ANC panels and the frame of the ANC Non Conductive Swing & Slide Gates are non-metallic and non conductive. Threaded fasteners bolt through the panels and tighten up securely using AMICO tamper-proof wedge plugs. Only a few hardware pieces such as hinges, the inside of the tracks and locks are actually metallic.

Secure substations, power facilities and energy companies throughout the world are becoming increasingly aware that ANC is the best solution to eliminate unforeseen occurrences related to touch and step potential.

ANC can help to ensure that power employees who work around and the general population living around substations are safer. Dielectric tests have been conducted by a certified laboratory in which leakage current and flashover voltage tests revealed NO electrical conductivity.

As the need for airport security increases, AMICO has the answer. Airports throughout the globe are searching for Perimeter Systems that won't interfere with radar signals. While traditional high security metal fencing system reflect radar, creating false images, ANC fencing doesn't show this interference. In addition to being safe and secure, ANC provides a clean aesthetically pleasing look that blends into the landscape.



AMIGUARD® 8500 CANTILEVER SLIDE GATES

High-Performance Features

- Durable construction to endure stresses and extend the life of the gate and gate operator
- The look of steel with the lighter-weight, corrosion-resistant, high-cycle, high-speed operation
- Robust movement mechanism for long-term performance
- Industry's heaviest and most robust enclosed track for safety, reducing liability risks
- Truck assembly with 2-inch, permanently sealed bearings for maintenance-free operation

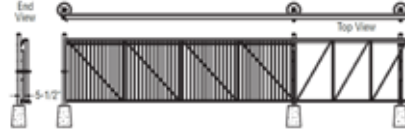
Specifications

- For openings measuring from 10 ft. to 48 ft. (standard)
- Manual or automatic operation
- Single-track, twin-track, micro-box frame or macro-box frame system type
- Three-year limited warranty

Special Engineering Available

- Crash Rated slide gates up to 30 ft.
- Telescopic slide gates up to 250 ft.
- Rolling gates up to 600 ft.

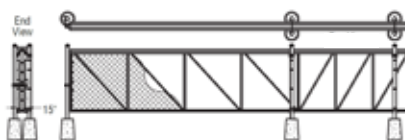
SINGLE-TRACK



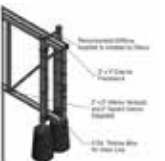
SINGLE-TRACK



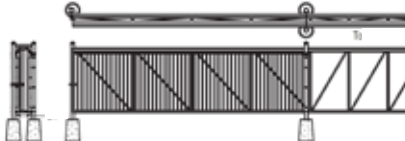
TWIN-TRACK



TWIN-TRACK



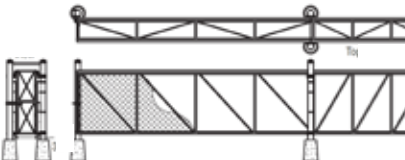
MICRO-BOX



MICRO-BOX



MACRO-BOX



MACRO-BOX

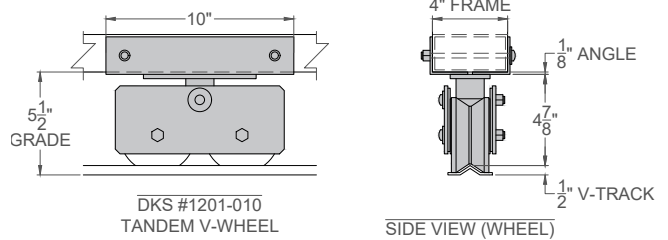


PRODUCT/FENCE INFILLS

AMIGUARD® 8000 SERIES GATES

AMIGUARD® 8500 V-TRACK SLIDE GATES

While AMIGUARD® 8500 Cantilever Slide Gates are the preferred solution in most applications, AMICO Perimeter Security also offers AMIGUARD® 8500 V-Track Slide Gates. Those gates are identical in design to our Cantilever gates but contain two wheels on the bottom of the frame riding in a V-track. Those gates are most suitable in warmer climates with limited ice and snow.



AMIGUARD® 8000 STEEL GATES

The AMIGUARD® 8300 Pedestrian and Swing Gates, and the AMIGUARD® 8500 Slide are available with full steel framework. AMIGUARD® 8000 Series Steel Gates are available with the full range of steel infills including AMIGUARD® 4000 Palisade fence, AMIGUARD® 5000 Series Welded Wire, AMIGUARD® 6000 Security and AMIGUARD® 7000 High Security Expanded Metal, and AMIGUARD Ballistic Panels™.

AMIGUARD ANIMAL SHIELD® GATES

The AMIGUARD Animal Shield® systems protect substations from small animals. The presence of herpetofauna (snakes, turtles, lizards, frogs, salamanders, etc.) in an electrical substation can cause a variety of system problems. This may include momentary disturbances of electrical systems, long-term system outages and severe damage to electrical equipment, leading to both a loss of revenue and a decline in customer satisfaction. All our AMIGUARD® 8000 gates with Animal Shield® Infill feature sturdy nylon brushes to cover any opening and exceed IEEE 1264-22 Standard Guide for Animal Deterrents for Electric Power Supply Substations.



Top to Bottom, Left to Right

AMIGUARD® 8300 STEEL DOUBLE SWING GATE
WITH ANIMAL SHIELD® 6100 INFILL,

AMIGUARD® 8500 STEEL SLIDE GATE WITH
ANIMAL SHIELD® 6100 INFILL,

AMIGUARD® 8300 STEEL DOUBLE SWING GATE
WITH ANIMAL SHIELD® 6100 INFILL,

AMIGUARD® 8500 STEEL SLIDE GATE WITH
ANIMAL SHIELD® 6100 INFILL



AMIGUARD® 9000 SERIES CRASH GATES

AMIGUARD® 9000 Series Crash Gates are rated of stopping a 15,000 pound vehicle at 30 mph (M30/K4) up to stopping a 15,000 pound vehicle at 50 mph (M50/K12). AMICO Security offers the widest selection of fencing infills in the perimeter security industry and our AMIGUARD® 9000 Series Crash Gates are available with the full range including AMIGUARD® 4000 Palisade fence, AMIGUARD® 5000 Series Welded Wire, AMIGUARD® 6000 Security and AMIGUARD® 7000 High Security Expanded Metal, AMIGUARD Ballistic Panels™ and ANC® Non Conductive fencing.



AMIGUARD BALLISTIC GATES

AMIGUARD® Ballistic Panels for ballistic fence, wall and gate systems are being manufactured by a world leading manufacturer of bullet resistant fiberglass. The composite laminate consists of fiberglass reinforced thermoset resin designed to defeat a projectile through a process of energy absorption through controlled delamination and energy dissipation. All of our AMIGUARD® 8000 gates are fully compatible with our AMIGUARD® Ballistic Panels.

AMIGUARD® 8000 SERIES GATES



AMIGUARD® 8700 TURNSTILES

The AMIGUARD® 8700 full height galvanized steel turnstile series provides superior access control through solid construction and safe design. These units are rated for outdoor use and come with hot dip galvanized powder coat finish. The mechanism components are aluminum and stainless steel.

This unit was developed with the installer in mind and can be assembled in a fraction of the time it takes to install comparable industry models. Should requirements change after installation, a user can easily change these units (that come electrically pre-configured) from fail-safe to fail-secure.

To prevent shock and vibration from transferring through the turnstile frame, all areas where mechanical impact occurs during normal operation (ratchets and mechanism mounts) are insulated with shock absorbing materials. This unique design assures a quiet and smooth operation of the turnstile and adds to the life of all mechanical parts.

Included with every turnstile are the following safety features: Heel protection, Home Position centering of spindle, Relocking timer and Anti-Passback preventing simultaneous passing of 2 people.



INDUSTRY LEADING PRODUCTS

AMICO Security delivers safe and efficient solutions with industry leading products for reliable operation and access control.

- All-O-Matic
- AutoGate
- BAi – Barcode Automation
- BD Loops
- BFT
- Byan Systems
- Cartell
- Click2Enter
- DITEK
- DKS - DoorKing
- Diablo Controls
- EMX Industries
- FAAC International
- HID Global
- HySecurity/NICE
- LOCINOX
- Lockey USA
- MMTC
- Magnetic
- MillerEdge
- National Loop Co.
- Nortek Linear (OSCO)
- Northstar Controls
- OPTICOM
- Pedestal PRO
- Pro Access Systems
- RAE – Reno A&E
- RAI Products
- Ruscoe Highway Products
- SOS – Siren Operated Systems
- Seco-Larm
- SecuraKey
- Securitron
- Security Brands Inc.
- Select Engineered Systems
- USAutomatic
- Viking Access



GATE OPERATORS & ACCESS CONTROLS

Selecting from the highest-quality solutions available, we specify, provide and support only the best products for your application. We also ensure that all our solutions comply with the UL 325 safety standard.

AMICO Security delivers safe and efficient Gate Operators for reliable operation. Gate Operators include Slide Gate Operators, Swing Gate Operators, Hydraulic Gate Operators and Parking and Barrier Gate Operators. Available Access Control systems include Telephone & Digital Entry, Card Reader Systems, Vehicle ID Systems, Custom Camera Systems and Pad Locks.



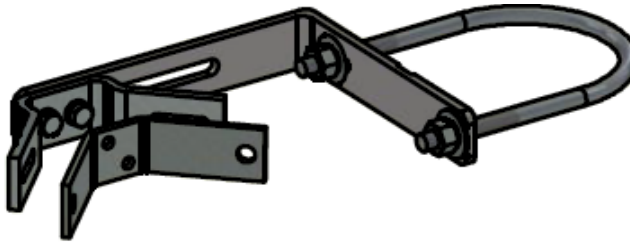
AMIGUARD® 8000 SERIES HARDWARE KIT

The AMIGUARD® 8000 Series Hardware Kit contains all of the necessary hardware in compliance with ASTM 2200 and UL 325 standards.

GATE HARDWARE KIT



ADJUSTABLE CATCH



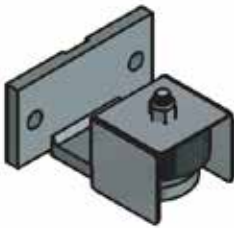
TRUCK HANGER BRACKET



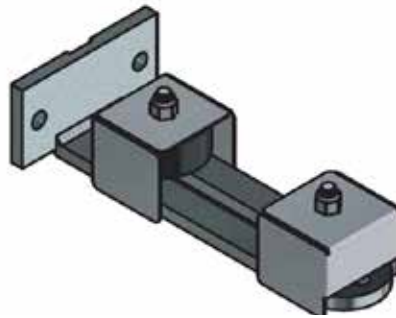
6-5/8" OR 4" ROUND



SINGLE WHEEL



DOUBLE WHEEL GUIDE



6" OR 4" SQUARE

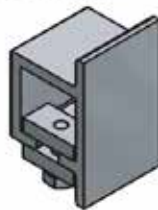


U BOLTS OPTIONS

TRUCK ASSEMBLY



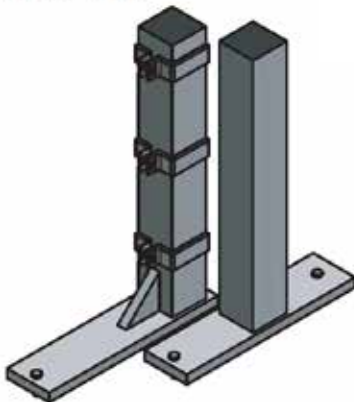
TRACK EXTRUSION AND STOP ASSEMBLY



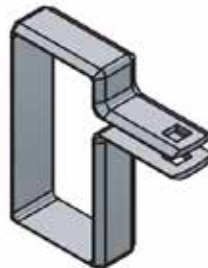
6-5/8" OR 4" ROUND



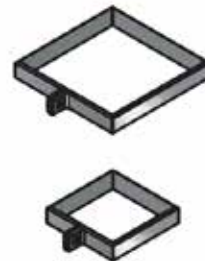
BARB ARM KIT



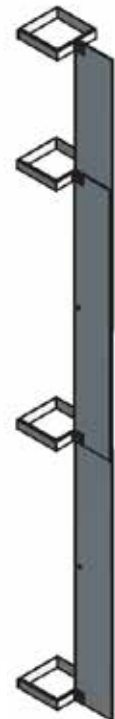
TENSION BAND



6" OR 4" SQUARE



UL325 BAFFLE KIT



PRODUCT/FENCE INFILLS

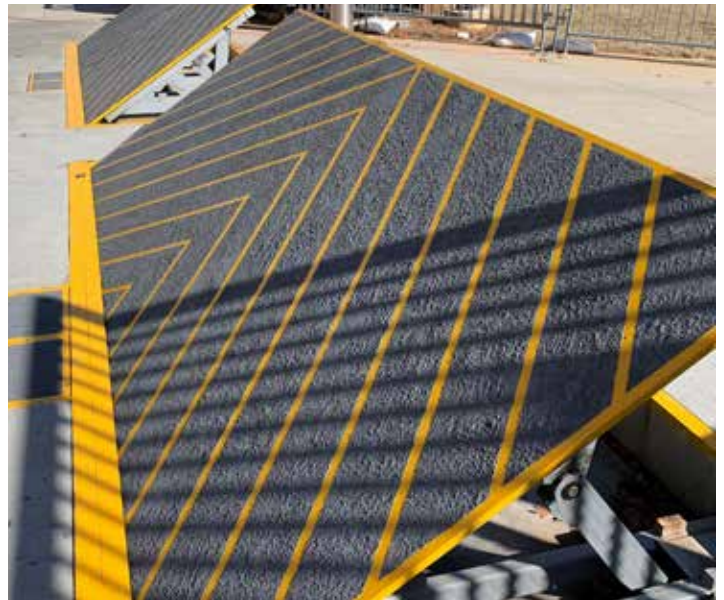
AMIGUARD® 9000 SERIES VEHICLE BARRIERS



Product

AMIGUARD® 4700 PALISADE FENCE WITH
INTEGRATED CRASH CABLE

DIAMOND TOUGH PERIMETER PROTECTION



PRODUCT/FENCE INFILLS

Top to Bottom, Left to Right

AMIGUARD® 9500 CRASH ARM,
AMIGUARD® 9100 INT (INTEGRATED CRASH CABLE),
AMIGUARD® 9900 WEDGE BARRIER

AMIGUARD® 9000 SERIES VEHICLE BARRIERS



With the addition of the AMIGUARD® 9000 Series Vehicle Barriers, AMICO Security is now offering manufacturing, integration and design of crash rated anti-vehicular equipment solutions and expert technical support for government, industrial, commercial, and residential applications. The AMIGUARD® 9000 Series Vehicle Barriers are fully integrated with our Security fence product lines.

Our team members have more than 20 years experience in partnering with contractors, installers, architects, and engineers to deliver high-quality designs, products, and services for complete anti-vehicular solutions. Our products have a long track record of reliability in the marketplace from active bollards and wedge barriers, to passive systems like cable barriers and fixed bollards. AMIGUARD® 9000 Series Vehicle Barriers from AMICO Security provide our customers with anti-vehicular equipment that puts an emphasis on reliability while keeping our products cost-competitive. AMICO Security takes great pride in designing and manufacturing security barriers that really stand up to the test. If you have a unique scenario, we can custom fabricate a security system to fit your needs.

WE FOCUS HEAVILY ON MANUFACTURING

Waterproof Motor

AMICO Security uses the latest design in electric motor operation. Many barriers provide IP68 water proof operation.

Dual Hit Defense

Many of our vehicle barriers can withstand multiple impacts, retaining function and protecting the site.

Hi-speed Operation

Our vehicle barriers use multiple types of operation systems; some of which are high speed while others are for heavy duty protection.

Flexible Operation

AMICO Security works with customers to determine the type protection required. Barriers are available with both electric and hydraulic operators to meet customer needs.

- Standard or micro-box frame
- Three-year limited warranty





AMIGUARD® 9100 & 9100 INT SERIES CABLE SYSTEMS

The AMIGUARD® 9100 Series Cable Systems meet the design appearance of surrounding fencing and gates while providing the protection desired.

- Available as stand alone crash protection to protect fencing
- Crash Rated M30 (K4) to M50 (K12)
- Available as P1 or P2
- Decorative aesthetic finishes available

The AMIGUARD® 9100 INT Series Integrated Cable System meets the design appearance of surrounding fencing and gates while providing the protection desired:

- Can be integrated into any AMICO Security fencing
- Crash Rated M30 (K4) through M50 (K12)
- Available as P2

AMIGUARD® 9310 SERIES FIXED BOLLARDS

Fixed bollards are the staple of the security industry because they offer a high level of stopping power with minimal cost. Bollards can be fabricated, shipped, and installed quickly. AMICO Security offers fixed bollards in crash ratings from M30 (K4) to M50 (K12). These bollards are capable of stopping a 15,000 pound vehicle at 30 mph, or capable of stopping a 15,000 pound vehicle at 50 mph. Standard fixed bollard designs allow the end user to arrange the bollards in different formations based on specifications and site conditions. AMICO Security's fixed bollards come in an assortment of aesthetic finishes from paint and powder coating to custom decorative finishes like aluminum or stainless steel.



AMIGUARD® 9330 SERIES SHALLOW MOUNT BOLLARDS

If there are applications where a 3-4 foot foundation cannot be achieved due to underground obstructions or utilities, the AMIGUARD® 9330 Series Shallow Mount Bollard with foundations of only 8"-12" in depth provides the same crash rated protection, look, and features as the 9310 Series Fixed Bollards without the deep excavation.

AMIGUARD® 9330 Series Shallow Mount Bollards may be ordered as individual units or several may be bolted together to form multiple bollard arrays. Factory applied zinc rich primer is applied in our in house paint facility before shipping.

- Shallow mount foundation
- Removable design available as AMIGUARD® 9340 Series
- Individual setting/ installation of each unit
- Modular Bolt-Together frames for custom configurations (optional)
- Custom Decorative Covers available

AMIGUARD® 9320 SERIES REMOVABLE BOLLARDS

If there are applications where infrequent vehicle access is required, the AMIGUARD® 9320 Series Removable Bollard provides the same crash rated protection and features as the 9310 Series Fixed Bollards with easy access.

AMIGUARD® 9000 SERIES VEHICLE BARRIERS

AMIGUARD® ACTIVE BARRIERS

Active barriers are essential to any project in the security industry. For any location needing vehicular access it is important to have an active system that is reliable. Factors to consider are cycle times, mode of operation (electric or hydraulic), and the number of vehicles entering/exiting per day.

The AMIGUARD® active barriers range from bollards to wedge barriers, crash gates and crash arms. They also come in different ratings from low rated models M30 (K4) designed to stop a 15,000lbs vehicle at 30mph, to M50 (K12) capable of stopping at 15,000lbs vehicle at 50MPH. The crash rating and style of the barrier changes depending on the site specifications as well as the specific type of application.



AMIGUARD® 9350 SERIES RETRACTABLE BOLLARD

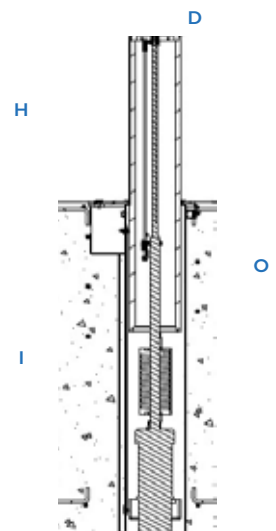
The AMIGUARD® 9350 Series Retractable Bollards are leading the industry in design and operation. There has never been an electric bollard with a fully waterproof motor/actuator, an M50 (K12) design that still works after a full scale crash test.

The AMIGUARD® 9355 Bollard is ASTM certified M50/P2 (K12). The full-scale crash test was conducted on only a single installed bollard which allows multiple bollards to be installed at any distance since each bollard is individually crash rated.

The bollard offers supreme protection and unique operation while mitigating the factors that traditionally create problems for automated bollards like water, ice, salt and sand. The AMICO Security bollard is a one of a kind system, and is guaranteed to provide any facility the look, operation and protection desired.

- Electric or Hydraulic Operation
- IP68 rated motor/actuator
- Still fully operates after crash

	AMIGUARD® 9353 Bollard	AMIGUARD® 9355 Bollard
Height above road (H)	27.5" (700mm)	35" (900mm) or 39" (1,000mm)
Diameter (D)	9" (220mm)	11" (270mm)
Inner receiver over lap (O)	12" (300mm)	27.5" (700mm)
Receiver height (I)	48" (1210mm)	72" (1,840mm)
Speed	3 seconds	5 seconds
Resistance	15,000 lbs/30mph	15,000 lbs/50mph
Operation	Hydraulic or Electric	Hydraulic or Electric
Finish	Stainless Steel or Powder Coated	Stainless Steel or Powder Coated
Options	Heating / LED Lights	Heating / LED Lights
MTBF	3 Million hr	3 Million hr
IP rating	IP68	IP68
Cycles per day	1,000	1,000



Also available as Fixed, Removable and Semi Automatic.

ACTIVE VEHICLE BARRIERS



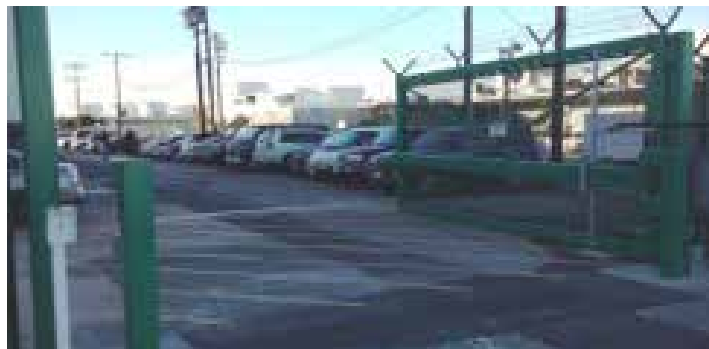
AMIGUARD® 9500 SERIES CRASH ARMS

The AMIGUARD® 9500 Series Crash Arms are the perfect anti-vehicular barriers for large openings or areas where snow and ice can affect areas under and around the barriers. Crash arms come with either manual or automated operation based on the frequency of use and desired application. Crash arms are offered as either vertical lift or swing arms and range in stopping power from a 15,000 pound vehicle at 30 mph to a 15,000 pound vehicle at 50 mph (M50/K12).

AMICO Security offers crash arms in widths up to 40', and they are available in electric, hydraulic, or manual operation. Crash arms are cost effective means of securing 1-3 lanes of traffic with a single barrier.

Available Options:

- Traffic Lights
- Operator Heater
- Buttress Heater
- Electric motorized operation in lieu of hydraulic operation
- Crash Beam Magnetic Lock
- Crash Beam Flashing Light Kit
- Loop Detectors
- Master/Sub Control Panel
- Touch Screen Controls
- Manual Operation
- Galvanized or Primed and Painted Finish
- Low maintenance
- Aesthetic finish



AMIGUARD® 9600 SWING CRASH GATES

AMIGUARD® 9600 Series Swing Crash Gates are low cost options to cover a road. They are light weight and low maintenance. Swing Gates can also offer anti-vehicular and anti-pedestrian protection.

Available Options:

- Crash Rated M30 (K4) to M50 (K12)
- Manual or Electric operation
- Traffic Lights
- 8' to 40' clear opening
- Loop Detectors
- Master/Sub Control Panel
- Touch Screen Controls
- Manual Operation
- Galvanized or Primed and Painted Finish
- Low maintenance
- Aesthetic finish
- Available with every AMIGUARD® mesh

AMIGUARD® 9000 SERIES VEHICLE BARRIERS

AMIGUARD® 9700 SERIES CANTILEVER CRASH GATES

The AMIGUARD® 9700 Cantilever Crash Gates are the perfect solution to protecting large areas with a single barrier. The cantilevered design allows for minimal excavation compared to other gates, and negates the need for a roadway embedded track. This allows larger vehicles to pass through the open area without fear of crashing the track of a rolling gate.

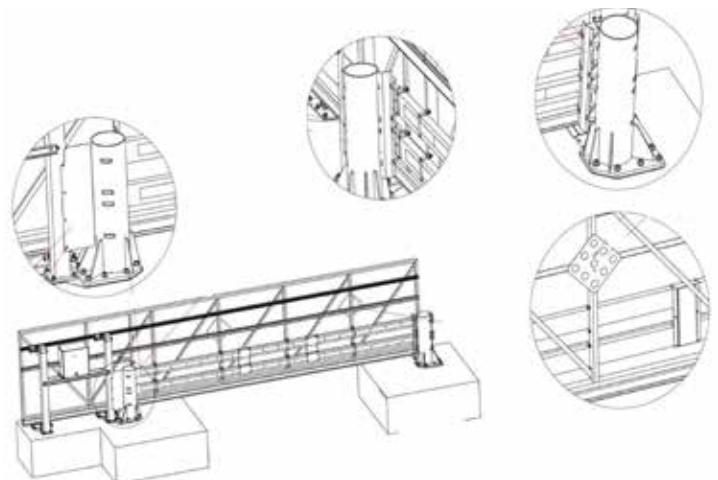
The AMIGUARD® 9700 Cantilever Crash Gates have a shallow foundation design compared to other crash rated gates, and the open box frame allows for any aesthetic design like any AMIGUARD® mesh to match the surrounding fence.

The AMICO Security Cantilever Crash Gates are available in widths from 10' to 40' and are certified with crash ratings from M30/PI (K4) to M50/PI (K12). Other options like integrated lights, remote control, touch screen controls, and photo-eyes are also available. The 9700 Cantilever Crash gate is a reliable, low maintenance gate that will provide the security you need with the design flexibility to ensure it fits the look and specifications desired.

- Cantilevered Design (No roadway excavation required)
- Shallow Foundation with a 48" foundation design
- Available with crash ratings from M30/PI (K4) to M50/PI (K12)
- Hydraulic, Electric or Manual Operation
- Low maintenance
- Aesthetic Finish Options
- Available with any AMIGUARD® mesh



AMIGUARD® 9700 M50 Cantilever Crash Gate



ACTIVE VEHICLE BARRIERS

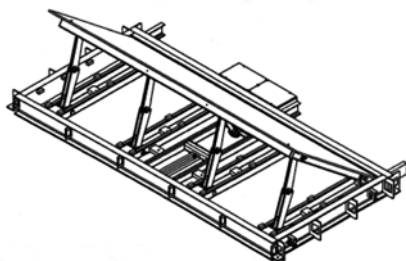
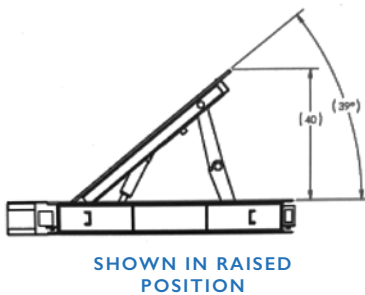
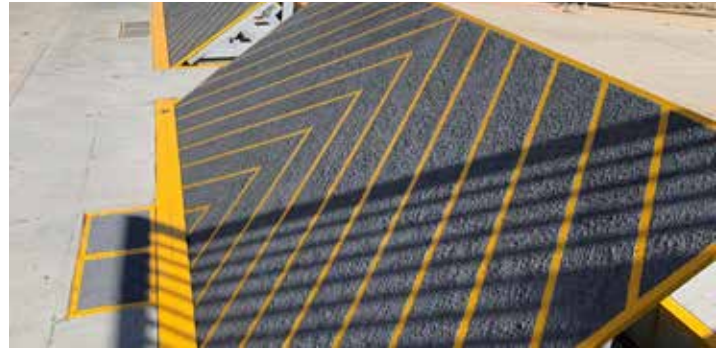
AMIGUARD® 9900 SERIES WEDGE BARRIERS

The AMIGUARD® 9900 Series Wedge Barriers are specifically built for the highest security and extreme reliability. The patent pending IP68 rated (waterproof) motor design ensures environmental conditions like water, ice, salt, and sand don't interfere with the barriers' operation.

The AMIGUARD® 9900 Series Wedge Barriers are ASTM Certified M50/PI with zero penetration. After a full scale test the barrier will remain in the full upright secured position, ready to take another hit.

Available in widths from 8' to 15' with many different color options, the AMICO Security Wedge is guaranteed to provide any facility the look, operation, and protection desired.

- Electric or Hydraulic Operation
- Shallow Mount Foundation
- IP68 Rated Motor/Actuator
- Safety Lights
- Low maintenance
- Aesthetic Color Options



AMIGUARD® 9905 Wedge

Height above road	39" (1,000mm)
Foundation depth	16" (400mm)
Speed	3 seconds
Resistance	15,000 lbs/50mph
Length	up to 15' (4,570mm)
Operation	Electrically Driven
Operations per hour	200
MTBF	3 Million hr
IP rating	IP68
Operations Temperature	-4 - +140°F (-20 - +60°C)

MODULAR BARRIER FENCE®



Product

ANC® MODULAR BARRIER FENCE® WITH SAFEGUARD™ 2100 MESH

TEMPORARY HIGH SECURITY AND CROWD CONTROL FENCING



Product

**CHAMELEON® MODULAR
BARRIER FENCE® WITH
AMIGUARD® 6300 MESH**



PRODUCT/FENCE INFILLS

MODULAR BARRIER FENCE®



The need for temporary high security and crowd control fencing is becoming more and more prevalent. The two modular fences from AMICO Security address this need and provide an enhancement of security due to some unique design features.



- Works with any DOT approved barrier or non-DOT designs
- Based on 10' concrete barriers transportable on a flatbed truck
- Requires no tethering in most windload requirements
- Fence material overlaps concrete barrier to prevent stepping
- Splice elements to link individual elements to enhance security
- DualGuard® mesh available to significantly increase cut through times
- Works with any AMIGUARD® Fencing Infills
- Cap sheets, barbed and razor wire are available



APPLICATIONS

Modular Barrier Fence® are commonly utilized in special high security events at local, state, and federal levels. Temporary high security fencing is required for crowd control and to temporarily close off restricted areas at special events. Most users and government agencies rely on a combination of concrete barriers and traditional security fencing mounted on top of those barriers. Some end users specify barrier fences for other reasons, for example railroad companies specify those fences to protect railroad cars in railroad yards instead of traditional security fences, since barrier fences eliminate the need of digging near railroad tracks which is not desirable due to space constraints and the presence of underground cabling along the tracks.



DUALGUARD® MESH

The optional DualGuard® mesh significantly increases the time required to breach the fence. The ASTM F2781-15 Standard Practice for Testing Forced Entry, Ballistic and Low Impact Resistance of Security Fence Systems defines a successful breach if the attacker manages to cut a 2' x 2' opening into the fence. While access to the first mesh is straight forward, access to the second mesh of the DualGuard® mesh is much more difficult resulting in a significant increase in breach time. An additional design feature of DualGuard® is to rotate one mesh by 90 degrees relative to the other mesh which will make cutting those meshes even more difficult. Tests have shown that the times to breach two meshes mounted a few inches parallel will require at least twice the amount of time required to breach the two meshes individually. This is a true occurrence of $1 + 1 > 4$.

CHAMELEON MODULAR BARRIER FENCE®

to the design described in the ASTM F2780 guide. However, it has some additional options to add extra security. Besides razor and barbed wire, expanded metal splices from barrier to barrier and an DualGuard® expanded metal mesh can be added for extra security. Fence elements are typically connected barrier to barrier with splices across the fence meshes being optional. Fence meshes typically overlap the concrete barrier to prevent a stepping onto the concrete barrier.



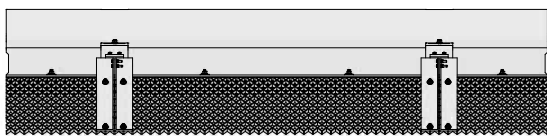
ANC MODULAR BARRIER FENCE®

The ANC Modular Barrier Fence® a non-conductive fiberglass reinforced plastics (RFP) fence is used frequently by the electric power and transmission industry. Considering that it often takes many years to upgrade a working substation, utilities need a non-conductive fence to eliminate the requirement for electrical grounding of their temporary fence. Other applications are in highly corrosive environments in coastal areas.

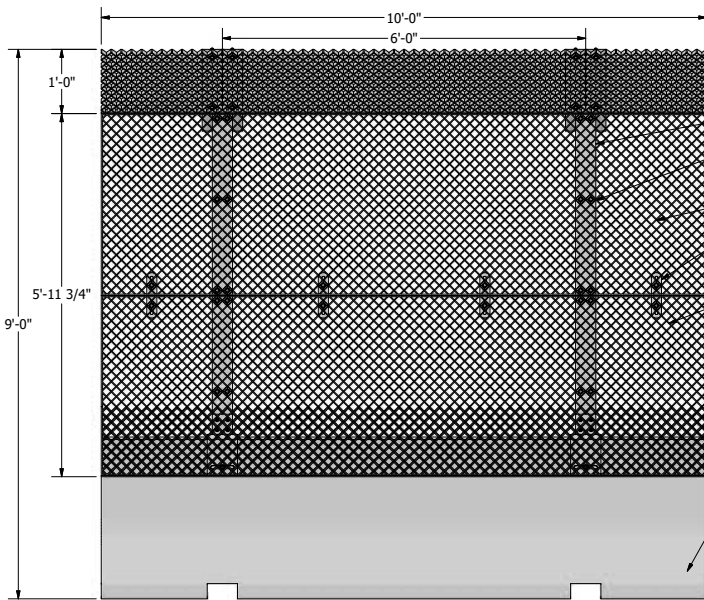
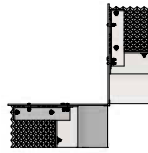
MODULAR BARRIER FENCE®

Our Engineering Department is here to assist you with all aspects of the design process for your project. Simple drawings to Engineered Stamped drawings are just a few things they can help with. They are always ready to collaborate with your Engineering Team to ensure your AMICO Security System is installed correctly.

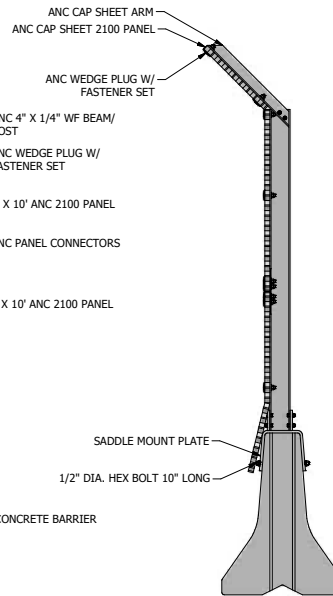
ANC MODULAR BARRIER FENCE®



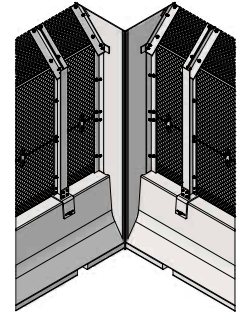
TOP VIEW



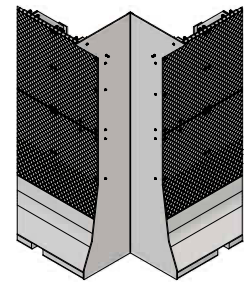
FRONT VIEW (ATTACK SIDE)



SIDE VIEW



ISOMETRIC VIEW
SECURE SIDE

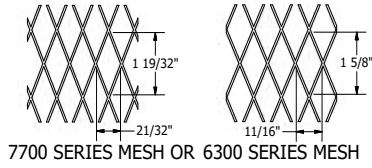


ISOMETRIC VIEW

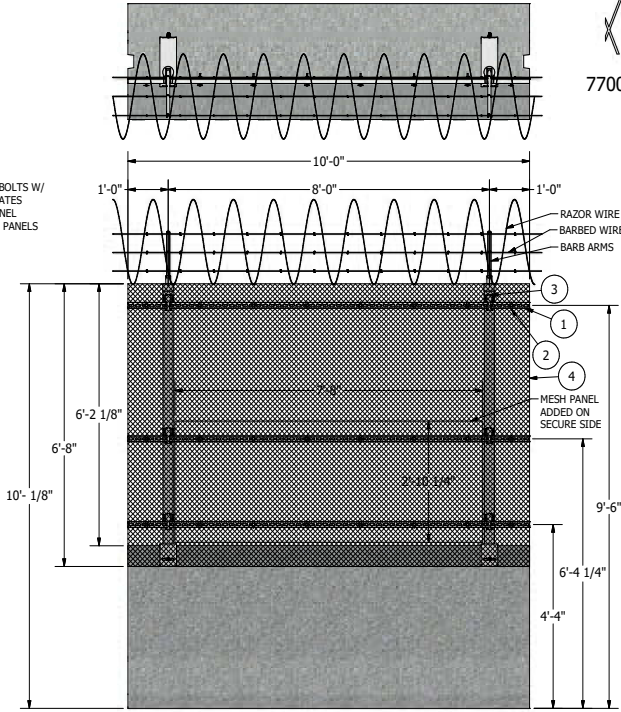


CHAMELEON MODULAR BARRIER FENCE®

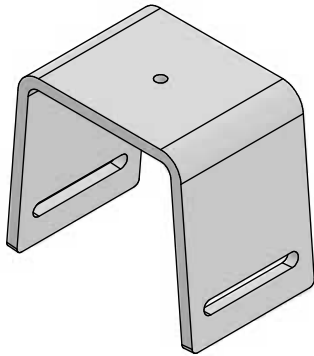
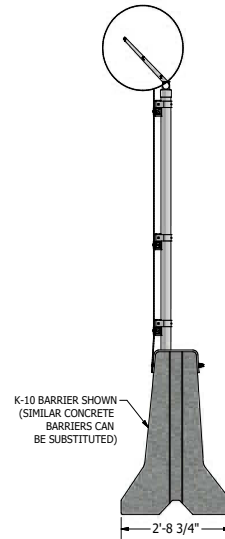
- 1. INFINIRAIL
- 2. DIAMOND FASTENER (APPROX. EVERY 16" ON INFINIRAIL)
- 3. 7700 OR 6300 SERIES MESH
- 4. AMICLAMP



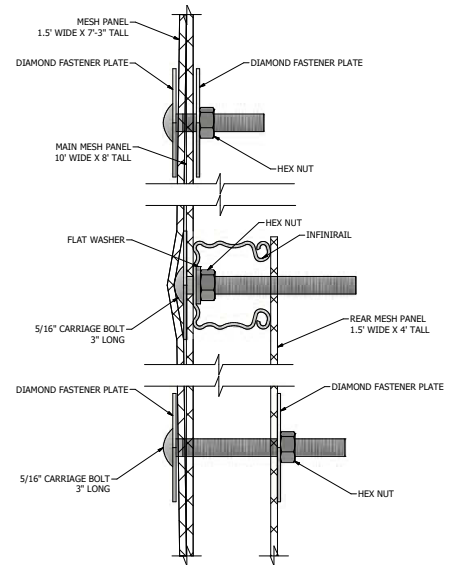
NOTE: 3" LONG CARRIAGE BOLTS W/ 1/2" X DIAMOND FASTENER PLATES USED AT DOUBLE MESH PANEL SECTION TO SECURE BOTH PANELS (NOT NEEDED AT SPLICE)



SHOWN WITH OPTIONAL DUALGUARD® (DOUBLE MESH) AND OPTIONAL TOPPER



MODULAR BARRIER FENCE® SADDLE MOUNT FITS ANY DOT OR NON DOT CONCRETE BARRIER



OPTIONAL DUALGUARD® (DOUBLE MESH) FOR HIGHER SECURITY

PRODUCT/FENCE INFILLS

ANC[®] TEMP FENCE



Product

ANC[®] TEMP FENCE



NON CONDUCTIVE TEMP FENCING



PRODUCT/FENCE INFILLS



ANC[®] TEMP FENCE



ANC[®] Non Conductive Temp Fencing from AMICO Security is designed for mobile substations and when substation construction is being performed. Electric utilities require those type of fences in emergencies when an existing substation is down or needs maintenance, or any temporary situations such as large outdoor events, constructions sites etc. Most electric utilities require temporary security such as temp fencing. Traditional metal temp fencing often requires electric grounding. The ANC[®] Non Conductive temp Fencing is completely non conductive and doesn't require grounding.

Benefits of ANC[®] Temp Fencing:

- Non conductive, no grounding required
- Durable, sturdy design with anti-cut and anti-climb capability
- Available in 6'-0", 7'-0" & 8'-0" heights
- Available with 3'-0" opening pedestrian gate in 7'-0" & 8'-0" tall panels
- Available with eye bolts for easy lifting
- Panels are shipped pre-assembled ready for field use
- Stackable for storage
- Attractive look

ANC[®] TEMP FENCING MESH AND FRAME

ANC[®] Temp Fencing Panels are 8' tall and 8'2" wide. Panels are easily stackable. The gap at the bottom of the fence panels is designed to be less than 2" to satisfy the fencing specifications of most electric utilities for security purposes.



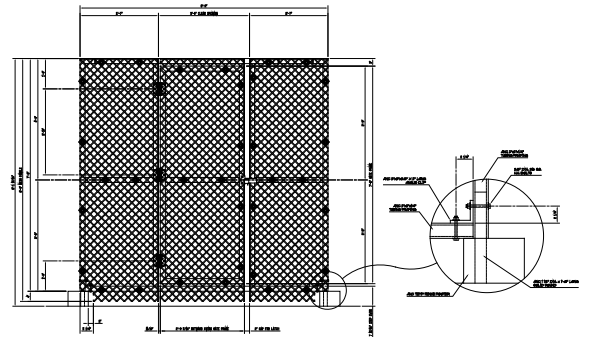
Product

**ANC[®] NON CONDUCTIVE
TEMP FENCING WITH
OPTIONAL EYEBOLTS**



ANC® TEMP FENCING WITH INTEGRATED PEDESTRIAN GATE

ANC® Temp Fencing panels are available with 3'-0" opening pedestrian gate in 7'-0" & 8'-0" tall panels. Two adjacent panels can be utilized as double swing gate if used without the base in the middle.

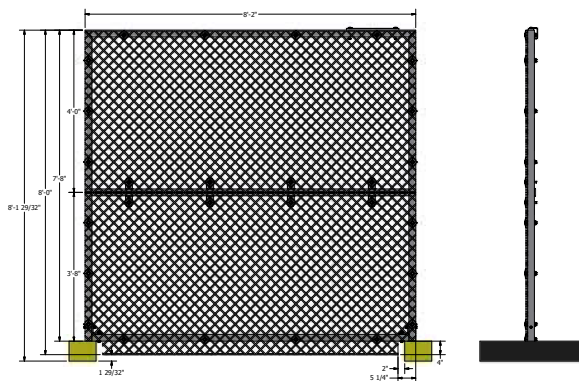


ANC® TEMP FENCING MESH AND FRAME

AMICO Security utilizes our 1/2" thick ANC SAFEGUARD™ 1050 Mesh and a 2"x2" tubular frame work to construct the ANC® Temp Fencing Panels. The mesh has an improved anti-climb and anti-cut rating compared to traditional temporary fencing solutions. Both mesh and framework have been tested to be completely non conductive eliminating the need for electrical grounding.

ANC® TEMP FENCING BASE

The base for our ANC® Temp Fencing is made from a tough thermoplastic compound that is shock resistant. Each base weighs around 50 lbs and is a perfect, stable solution for non metal temporary fencing. The base can be easily handled and stored using the internal handles. The high-visibility ends provide added visibility for pedestrians. The center and end holes provide flexibility for the fence setup.



ANC® TEMP-FENCE-PANEL-LOCK WITH CLEVIS PIN

Each ANC®Temp Fencing Panel comes with an integrated Temp-Fence-Panel-Lock with a Clevis Pin to allow the secure locking of adjacent fence panels without tools. The Clevis Pin design accommodates straight sections, and 45°, 65° or 90° corners. In addition the Clevis Pin has a storage position which prevents any damage during storage or transport.



PRODUCT/FENCE INFILLS

UTILITY AND ENERGY SECURITY



Product

AMIGUARD DUALGUARD® MESH 5700/7700



Top to Bottom, Left to Right

AMIGUARD® 7100,

AMIGUARD® 6300,

AMIGUARD® 7100 ALL ON CHAMELEON²® FRAMEWORK

DATA CENTERS



Top to Bottom, Left to Right
AMIGUARD® 5500 WELDED WIRE RAIL-LESS,
AMIGUARD® 9700 M50 CANTILEVER CRASH GATE,
AMIGUARD® 9100 CRASH CABLE,
AMIGUARD® 4700 PALISADE



Top to Bottom, Left to Right
AMIGUARD® 4700 PALISADE
FENCE WITH INTEGRATED
CRASH CABLE,
AMICO SECURITY MESH™,
AMIGUARD® 5700 RAIL-LESS
WELDED WIRE,
CHAMELEON® TECHPOST

MARKETS

AIRPORT AND TRANSPORTATION SECURITY



Product

ANC SAFEGUARD™ 2100 MESH



Top to Bottom, Left to Right

AMIGUARD® 5700,
AMIGUARD® 6100 SECURITY,
AMIGUARD® 5700 WELDED WIRE

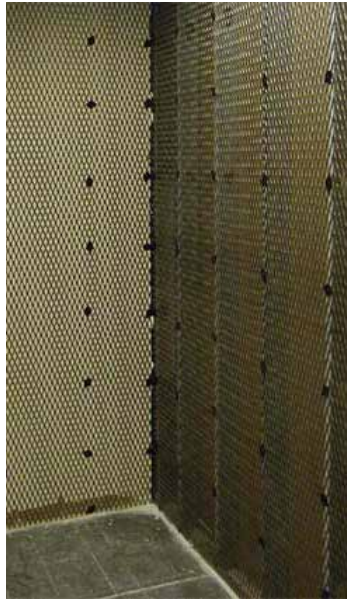
CORRECTIONS FACILITIES



Scan/click for more info

Product

AMIGUARD® 5730 WELDED WIRE



Top to Bottom, Left to Right

SECURITY MESH™ BEHIND THE DRYWALL
PENETRATION BARRIER,
AMIGUARD® 5700 WELDED WIRE

GOVERNMENT FACILITIES & CRITICAL INFRASTRUCTURE



Product

CHAMELEON²® 7100 DUAL FENCE LINE



Top to Bottom

AMIGUARD® 9700 M50 CANTILEVER CRASH GATE,
CHAMELEON²® 6100 FENCE WITH DUPLEX COATING,
AMIGUARD® 6100

HIGH END COMMERCIAL & INDUSTRIAL SECURITY

Product

AMIGUARD® 4700 BENT TRI-POINT PALES,
CHAMELEON²® 6300



Scan/click for
more info



Top to Bottom

AMIGUARD® 7100 ALL
ON CHAMELEON²® FRAMEWORK,
AMIGUARD® 6100 MESH,
AMIGUARD® APEX 01 & 03 MESH



MARKETS

OFFICES, RECREATIONAL, & SCHOOLS



Scan/click for
more info

Product

AMIGUARD® 5500 WELDED WIRE



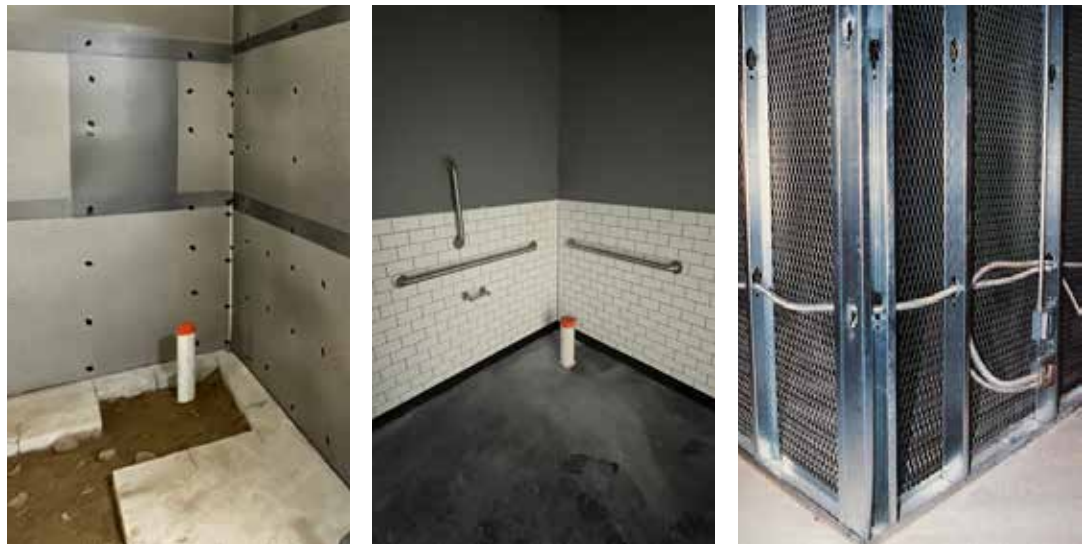
Top to Bottom

AMIGUARD® 5700 WELDED WIRE,
AMIGUARD® 5500 WELDED WIRE

AMICO SECURITY MESH™



PENETRATION BARRIER BEHIND DRYWALL



Before and After AMICO Security Mesh™ Installation

AMICO SECURITY MESH™



Security Mesh™ was developed and introduced by AMICO in the late 1980s as a penetration barrier for use behind drywall finishes. In 2002, AMICO patented the Secura Clip®, making a system that designers and security professionals can count on to provide the highest levels of physical security.



AMICO Security Mesh has been installed for decades in government, commercial, and retail buildings all over the world. AMICO's patented Secura Clips® complete the system. Secura Clip® fasteners have a recessed center hole allowing the Tek screw to seat at the surface of the mesh and not create humps and bumps alerting intruders to the penetration barrier. Secura Clip® fasteners provide over 68% more holding strength than standard screws alone.

Drywall is installed directly over Security Mesh™. No need for other materials for added intrusion protection. AMICO has supplied numerous projects requiring mesh to be attached to both sides of the framing members.

Product

ASM .75-9F HM SUPER MAX
SECURITY IN OPTIONAL
HOT DIPPED GALVANIZED
FINISH INSTALLED AT
DATA CENTER



MESH SELECTION

AMICO offers Minimum, Medium, Maximum and Heavy Modified Super Max Security mesh panels. The style of mesh can be determined by the overall level of security for the facility and other conditions such as response time by security or law enforcement. In general the overall mesh thickness and the size of the diamond opening determine the security level. ASM 2322-1003, the most secure Security Mesh, passes ASTM F2322 Standard Test Methods for Physical Assault on Vertical Fixed Barriers for Detention and Correctional Facilities at Grade 1, the highest level, Grade 2, Grade 3 and Grade 4.

MESH FINISH

Security Mesh is supplied in a Mill Finish (HR P&O - Hot Rolled Pickled & Oiled) as standard. For special applications such as installation adjacent to shower or kitchen areas, Hot dip galvanized is available upon request.

FRAMING

Generally, vertical framing members are set 16-inches on center. Horizontal ceiling members are set 16 to 24-inches on center. As the requirements for higher levels of security arise the spacing of vertical framing can be reduced to 12-inches on center. 12-inch stud spacing is frequently specified with the ASM .75-9F Heavy Modified. The ASM 2322-1003 and ASM 2322-4003 Corrections panels have specific requirements to qualify for ASTM F2322 certification.

SECURA CLIP® FASTENERS

For best performance AMICO Secura Clip® fasteners need to be used. Install clips to metal framing using bugle head self-tapping screws penetrating the framing member a minimum of 3/8-inch. With wood framing use 1-5/8-inch drywall screws allowing the fastener to penetrate framing a minimum of 1-1/2-inches. Standard spacing is 12-inches vertically per framing member for both vertical and horizontal surfaces.

Top to Bottom, Left to Right

ASM 2322-1003
CORRECTIONS,

ASM .75-9F HM SUPER
MAX SECURITY,

ASM .75-9F MAXIMUM
SECURITY,

ASM .50-13F
MAXIMUM SECURITY,

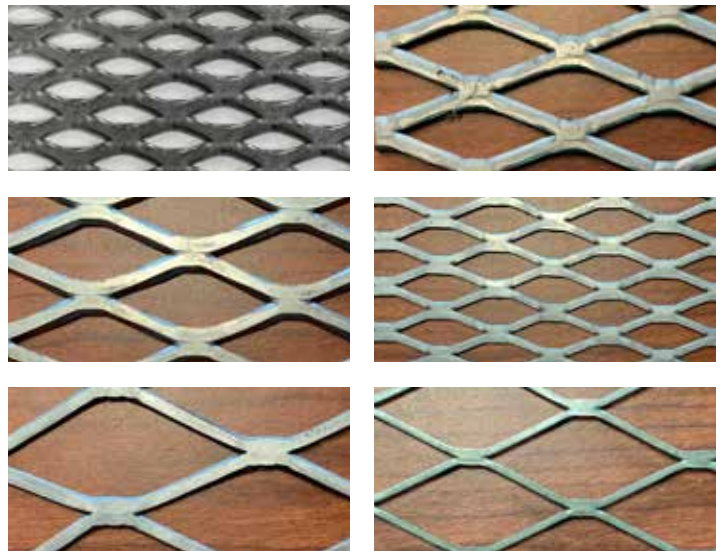
ASM 1.5-9F MEDIUM
SECURITY,

ASM 1.0-16F
MINIMUM SECURITY

AMICO SECURITY MESH	Weight per sq. ft.	Overall Thickness	Diamond Hole Opening
ASM .75-9F HM	2.38 lbs	.140"	0.6" x 1.7"
ASM .75-9F	1.57 lbs	.108"	0.6" x 1.7"
ASM .50-13F	1.26 lbs	.072"	0.3" x 1.0"
ASM 1.5-9F	1.05 lbs	.108"	1.0" x 2.7"
ASM .50-16F	.77 lbs	.048"	0.3" x 1.0"
ASM .75-13F	.67 lbs	.072"	0.7" x 1.8"
ASM 1.5-13F	.51 lbs	.072"	1.1" x 2.8"
ASM .75-16F	.47 lbs	.048"	0.8" x 1.8"
ASM 1.0-16F	.38 lbs	.048"	0.8" x 2.2"
ASM 1.5-16F	.35 lbs	.048"	1.1" x 2.8"

*ASM 2322-1003 passes ASTM F2322 Standard Test Methods for Physical Assault on Vertical Fixed Barriers for Detention and Correctional Facilities at Grade 1, the highest level, Grade 2 and Grade 3. ASM 2322-4003 passes ASTM F2322 at Grade 4.

Tolerances: Short Way of Diamond (SWD) & Long Way of Diamond (LWD) 0+ 0.25" per 12" of width. Panel sizes: 4' x 8' standard, other sizes are available upon request.



AMICO SECURITY MESH™

ASTM F2322 PHYSICAL ASSAULT TESTING

The AMICO Security Mesh™ ASM 2322 product line passes the ASTM F2322 Standard Test Methods for Physical Assault on Vertical Fixed Barriers for Detention and Correctional Facilities.

These test methods cover requirements for a simulated physical assault on walls designed to incarcerate inmates in detention and correctional institutions. It is the intent of these test methods to help ensure that detention security walls perform at or above minimum acceptable levels to control passage of unauthorized contraband or secure areas, to confine inmates, to delay and frustrate escape attempts, and to resist vandalism.

While the test method is primarily designed for prison walls the performance criteria apply to many other security applications as well.



Grade #	ASM Mesh available*	Number of Impacts**	Representative Barrier Duration Time
1	ASM 2322-1003	600	60 minutes
2	ASM 2322-1003	400	40 minutes
3	ASM 2322-1003	200	20 minutes
4	ASM 2322-1003 ASM 2322-4003	100	10 minutes

TABLE SECURITY GRADES AND IMPACT LOAD REQUIREMENTS

*Results only apply when installed on metal studs using Secura Clip® supplied by AMICO Security.

**Number of impacts equally divided between 80lbs blunt impactor and 80lbs sharp impactor, applied in alternating sequences of 50 impacts each.



Product
AMICO SECURITY MESH™
AT TEST TERMINATION
AFTER 600 IMPACTS
ACHIEVING GRADE I



COMMERCIAL PROPERTY

Commercial malls and standalone stores in strip malls are a great application for AMICO Security Mesh™. While storefronts are often secured by shutters, the walls on the side and back of the stores are often simple drywalls. Break-ins frequently occur through those walls since they often border hallways or less secure stores.

- Banks and Credit Unions
- Cellphone, Jewelry and Electronics Stores
- Data Centers & High Value Storage Facilities



CANNABIS INDUSTRY

The cannabis and recreational drug industry faces many security challenges. Security Mesh™ is ideal to increase the security of walls and to increase security of storage rooms within those facilities.

DATA CENTERS

AMICO Security Mesh™ enhances security to Data Centers and high value storage facilities by significantly increasing the breach times compared to traditional walls. Since attackers are not aware of the presence of Security Mesh™, they often give up upon encountering Security Mesh™. Also the additional time required to breach walls fitted with Security Mesh™ increases the time for law enforcement to respond.



DETENTION AND CORRECTIONAL FACILITIES

AMICO Security Mesh™ has many applications in Detention and Correctional Facilities and other facilities with high security needs for example metal hospitals. The ASTM F2322 Grade I certified ASM 2322-1003 Corrections mesh offers architects a wide range of new design options as it is tested to offer equivalent physical assault protection compared to Concrete Masonry Unit (CMU) walls. With a wide range from the ASM 2322-1003 Corrections mesh to minimum level meshes, AMICO Security Mesh™ can be specified according to specific security needs. For example a lower security level mesh might be acceptable in public lobbies.

BALLISTIC SECURITY PANELS





COMMERCIAL PROPERTY

A wide range of commercial facilities face ballistic threat, most often those dealing with sensitive materials or quantities of cash. AMICO Ballistic Security Panels are highly effective within counter and wall systems to provide personnel protection from ballistic attacks.

- Banks and Credit Unions
- Convenience Stores
- Utilities
- Data Centers



GOVERNMENT PROPERTY

Facilities at all levels of government need to consider protection against ballistic attack. From Federal courthouses to county jails and local school board chambers, AMICO Ballistic Security Panels provide affordable security within walls, lecterns and desks.

- Courthouses / Court Rooms
- Embassies & Consulates
- Public Safety Facilities
- Educational Facilities

HEALTH CARE

Health Care facilities face unique security threats, and commonly turn to the protection of AMICO Ballistic Security Panels. From armed robbery for drugs, to attack on patients, defense against ballistic threat begins with AMICO Security.

- Hospitals
- Clinics
- Pharmacies

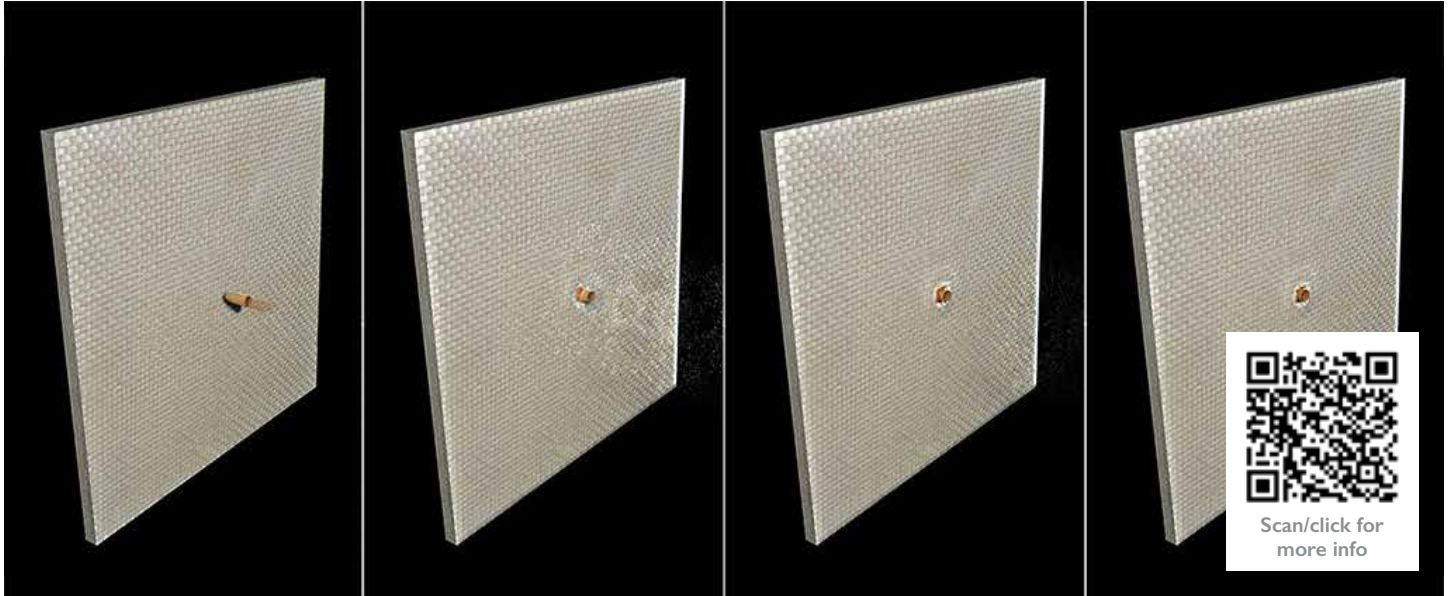


RESIDENTIAL SECURITY

Manufactured to meet the stringent ASTM Forced Entry Protection” standards, AMICO Ballistic Security Panels are an ideal choice for residential Safe Rooms defending against room entry from bullets, as well as sledgehammers, cutting tools and even propane torches!

Texas Tech University’s Wind Engineering Research Center performed tests on AMICO’s Level 3 Ballistic Security Panels. The results of the tests show that these panels can withstand a 15 Lb. 2 x 4 wood board cannon-fired at a force consistent with a “large missile” typical of an EF-5 tornado, for effective storm shelter construction.

BALLISTIC SECURITY PANELS



AMICO Ballistic Security Panels for ballistic protection behind drywalls are being manufactured by a world leading manufacturer of bullet resistant fiberglass. The composite laminate consists of fiberglass reinforced thermoset resin designed to defeat a projectile through a process of energy absorption through controlled delamination and energy dissipation.

The fiberglass reinforcement transfers the energy of the bullet across the width of the panel. In addition, the resin is designed to separate into individual plies through a process of controlled delamination to eventually absorb all the energy and stop the bullet within the laminate. Once the plies have begun to delaminate, additional shots become progressively easier to defeat because the energy is more readily absorbed by the laminate. In contrast to metal barriers, the fiberglass laminate is designed to prevent ricochet of the projectile as well as spalling on the non-threat side of the bullet resistant panel.

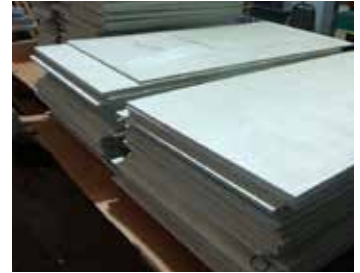
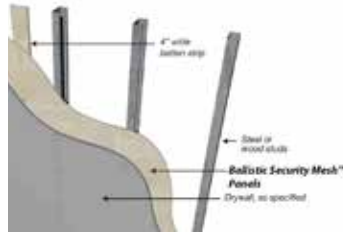
Bullet resistant fiberglass panels are used to protect the employees, buildings, and other critical assets for many types of commercial and industrial organizations including: electric utilities, military and government facilities, law enforcement locations, and more.

Through our custom design for bullet-resistant panels, we've developed the highest quality and reliable product for defensive architecture.



UNIQUE BENEFITS OF BALLISTIC SECURITY PANELS

- Lighter Weight Than Steel
- Easy To Install With Standard Tools
- Effective Delay Against Forced Entry
- Low Wicking – No Build-Up Of Mold
- Non-Toxic Materials
- 1-Hour Fire Rating (ASTM E119-00)
- Available In Sizes Up To 5' x 10'
- Available In The Full Range Of UL 752
- 4'x8' Size Level 1-3 Stocked for Quicker Lead Times



MANUFACTURING PROCESS

High-quality materials, skilled craftsmanship and the best manufacturing processes are utilized in the fabrication of each and every AMIGUARD® Ballistic Panel. Continuous product testing ensures that our panels meet the highest criteria of ballistic resistive integrity.

AMICO Security's bullet-resistant panels are manufactured by combining woven-roving fiberglass with resin, precision-assembled and cured in a press with heat and pressure while maintaining quality and consistency. With our unique capabilities including hydraulic presses, water jet cutting, industrial sanders and testing facilities, AMICO Ballistic Security Panels are offered in a variety of standard size sheets ranging from 3', 4' & 5' widths by 8', 9' & 10' lengths of any combination. We also offer custom cutting to fit your unique design with the ability to cut to any 2-dimensional size, pre-drill holes, bevel cut, etc. Our intensive Quality Assurance Program in conjunction with our ISO 9001:2015 registration will ensure every panel we manufacture meets and/or exceeds our customers' requirements.

PANELS INSTALLATION

AMICO Ballistic Security Panels may be attached using self-tapping drywall screws. When attaching a panel to a stud wall on which drywall will be the exterior surface, simply use enough screws to hold the panel to the studs, then come back with a complete screw pattern to the studs when hanging the drywall on top. If a different applique is to be used over the ballistic panels and a flush surface is required, a counter-sink hole may be used before adding the screws.

In the field, Ballistic Security Panels can be cut with a diamond-grit blade. TSD 180D, manufactured by Tenryu, a quality 7" circular blade available through AMICO Security. For electrical boxes and other small openings, a diamond grit blade (available through most builder's supply in the ceramic tile section) on a reciprocating saw should be sufficient.

UL 752 PROTECTION LEVELS

UL Rating	Nominal Thickness	Nominal Weight lbs/sq. ft	Ammunition	Grain	(g)	Min fps	Velocity (m/s)	# of Shots
Level 1	1/4"	2.6	9mm Full Metal Copper Jacket with Lead Core	124	8.0	1175	358	3
Level 2	5/16"	3.6	.357 Magnum Jacketed Lead Soft Point	158	10.2	1250	381	3
Level 3	7/16"	4.8	.44 Magnum Lead Semi-Wadcutter Gas Checked	240	15.6	1350	411	3
Level 4	1-3/8"	13.9	.30 Caliber Rifle Lead Core	180	11.7	2450	774	1
Level 5	1-7/16"	14.8	7.62mm Rifle Lead Core Full Metal Copper Jacket Military Ball	150	9.7	2750	838	1
Level 6	3/8"	3.9	9mm Full Metal Copper Jacket with Lead Core	124	8.0	1400	427	5
Level 7	1-1/8"	11.7	5.56mm Rifle Full Metal Copper Jacket with Lead Core	55	3.56	3080	939	5
Level 8	1-7/16"	15.2	7.62mm Rifle Lead Core Full Metal Copper Jacket Military Ball	150	9.7	2750	838	5



Ballistic Security Panels Door Panel with Lockset.

Target Range 15 ft. - Level 3 panels carry a Class IV Forced Entry Protection rating, per ASTM F1233
UL 752 12th edition panels are available upon request

SPECIAL PROJECTS

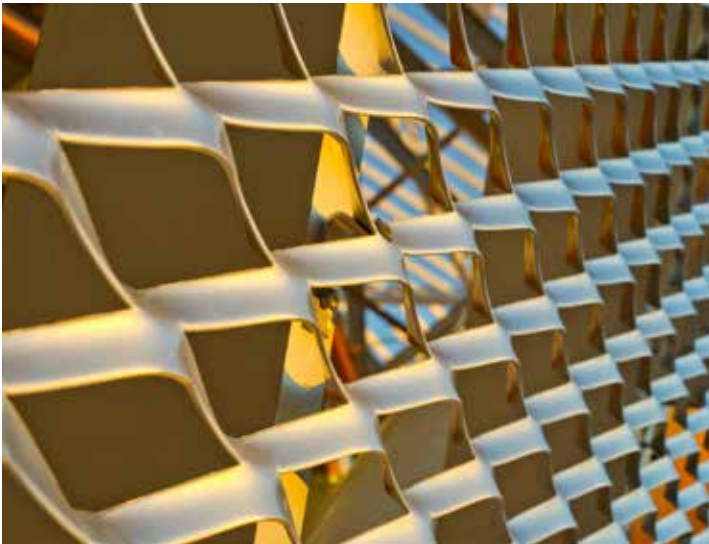


Product
**AMIGUARD® 5700 FENCE
AROUND RECESS AREA
ON TOP OF ELEMENTARY
SCHOOL BUILDING**

AMICO SECURITY CAN PROVIDE CUSTOM SOLUTIONS FOR YOUR PROJECTS



SPECIAL PROJECTS



Product
CUSTOM FABRICATED
ANC® COMPOSITE FENCE
FOR A CHILDREN MUSEUM



Left to Right

AMIGUARD® APEX MESH,

CHAMELEON²® WITH AMIGUARD® 6100 MESH
DUPLEX COATED



OTHER PRODUCTS & INFO

AMICOAT™ FINISHES

POWDER COATING OVER E-COATING

SURFACE PREPARATION



Grit Blasting



Alkaline Spray Cleaner



Alkaline Immersion Cleaner



Spray Rinse



Immersion Activator



Zinc Phosphate Immersion



Immersion Rinse



Immersion Seal



Immersion RO Rinse



Immersion Cathodic E-Coating



Immersion Permeate Rinse



Spray Permeate Rinse



Final drainage



Curing Oven

ELECTRO COATING

POWDER-COATING



Pre-Heating Oven



Primer Coating



Curing Oven



Top Coating



Curing Oven

AMICO Security offers three highly corrosion resistant finishing options:

- Hot-Dip Galvanizing
- AMICOAT™ Powder coating over E-Coating or primer
- AMICOAT™ Duplex Coating, Powder coating over Hot-Dip Galvanizing

All of AMICO Security's finishing processes involve a zinc layer for superior corrosion protection. While a traditional paint layer aims to prevent water from touching the steel, a zinc layer provides a superior cathodic protection replacing the steel anode with a zinc anode resulting in zinc oxide which forms a protective layer instead of rust.

HOT-DIP GALVANIZING



Alkaline Degreaser



Water Immersion



Acid Pickle Immersion



Water Immersion



Hot Flux



Drying



Molten Zinc Immersion



Quench and Passivate

DUPLEX COATING

Duplex Coating provides a more sophisticated manner of corrosion protection known as the synergistic effect. The hot-dip galvanized steel is powder coated providing two layers of protection. Used independently, both paint/powder coatings and galvanizing provide corrosion protection to steel; however, when utilized together, the two coatings work in synergy. The exterior layer of paint or powder coating slows down the rate at which the zinc is consumed, greatly extending the life of the galvanized steel. In return, once the exterior layer has been weathered down or damaged, the zinc beneath is still available to provide cathodic and barrier protection.



Scan/click for more info

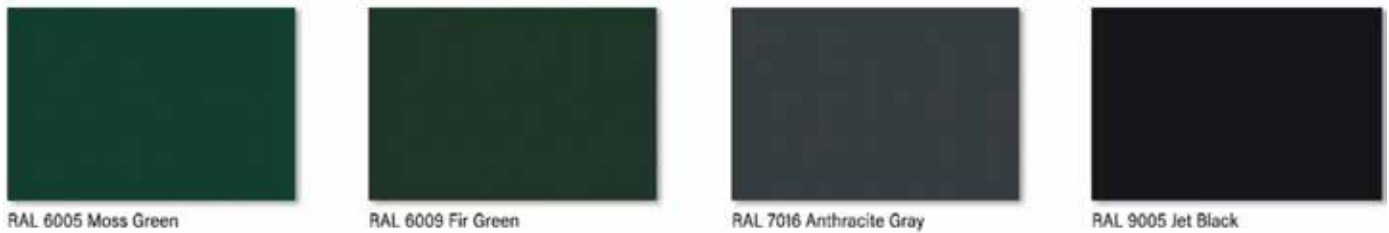
STANDARD COLORS



AMICOAT™ STANDARD COLORS FOR AMIGUARD® 6000 & 7000 SECURITY MESHES



AMICOAT™ STANDARD COLORS FOR AMIGUARD® 5000 WIRE MESHES



Please note that standard AMICOAT™ colors shown in here are for reference only as they can deviate slightly from the actual colors depending on electronic screen or printing.

LEED INFORMATION

Alabama Metal Industries Corporation is striving to ensure that our products and facilities contribute to a sustainable environment. We are a member of the U.S. Green Building Council, and we support suppliers that share our commitment to a sustainable environment.

AMICO's products can help you achieve LEED points in the following categories:

Energy and Atmosphere

EA Credit 1: Optimize Energy Performance: Achieve increasing levels of energy performance above the baseline in the prerequisite standard to reduce environmental and economic impacts associated with excessive energy use.

By using AMICO products such as Expanded Metal, Perforated Metal or Bar Grating as sun shades or as an exterior facade, solar gain into the building is reduced, in turn reducing the EA amount of energy required to run HVAC systems.

Credits 8.1 and 8.2: Indoor Environmental Quality: Provide for the building occupants a connection between indoor spaces and the outdoors through the introduction of daylight and views into the regularly occupied areas of the building (75%-90%).

AMICO products used in applications such as facades or sunshades can help maximize day lighting opportunities while decreasing artificial lighting as well as heating and cooling costs.

Materials and Resources

MR Credits 2.1 and 2.2: Construction Waste Management: Divert construction and demolition debris from disposal in landfills and incinerators.

Since the majority of AMICO products are produced from steel, any construction waste generated can and should be included in your construction waste management plan.

MR Credits 4.1 and 4.2: Recycled Content: Increase demand for building products that incorporate recycled content materials, thereby reducing impacts resulting from extraction and processing of virgin materials.

The majority of AMICO products are produced from North America's most recycled material (steel), so MR Credits 4.1 or 4.2 can be easily achieved.

MR Credits 5.1 and 5.2: Regional Materials: Increase demand for building materials and products that have been extracted, harvested or recovered, as well as manufactured, within 500 miles of the project site.

AMICO's manufacturing facilities are strategically placed across North America and purchase raw materials from vendors in close proximity to these locations. MR Credits 5.1 or 5.2 can be obtained in most instances.



Request LEED® Information

AMICO's Marketing Team can help in making your next LEED® project a success. Should you require LEED® submittal documentation for a project utilizing AMICO products, please request this on your purchase order. Simply state LEED® information required for this project.

Once you are ready for our LEED® documents, please complete our request form on amicosecurity.com

WHY AMICO SECURITY?



TRANSFORMING
MATERIALS INTO
PRODUCTS THAT MAKE
A BETTER WORLD®

- We are Customer-Centric
- We return calls and emails in a timely matter
- We have been in the business for a long time, product & services are time proven
- We believe in quality, we stand by our product
- We can customize our products to meet your security solution needs
- We have the ability to make commitments and decisions quickly
- We believe in conducting business in an ethical way to establish a culture of trust and integrity
- We have systems that are easy to install, so they save you time and money
- We provide in-house engineering assistance
- We provide field engineering service on most products
- We maintain CSI specifications for all our products
- We want to earn your business continually!



Product

AMIGUARD® APEX 01

OTHER PRODUCTS & INFO

For more information
or to place an order:

info@amicosecurity.com
855.552.6426

amicosecurity.com
[linkedin.com/company/amicosecurity](https://www.linkedin.com/company/amicosecurity)

AMICO Security
3245 Fayette Avenue
Birmingham, AL 35208

