

### C-I Weep Trac™ PVC Accessory

#### FOR CONTINUOUSLY INSULATED STUCCO INSTALLATIONS

The 3½" nailing flange serves as a flashing when water resistant breathable building paper or paper backed lath is installed over the flange. The holes in the "trough" offer minor moisture weeping capabilities; over window and door heads, base of walls or other conditions that require drainage.

Submitted Product	Product Number	Product Dimensions
	CI-WT-PVC	Per Drawing
Standard Package Lengths are 10-ft.		

#### DESCRIPTION

This screed is installed at the base of walls as part of a drainage system for Continuous Insulated stucco or stone applications.

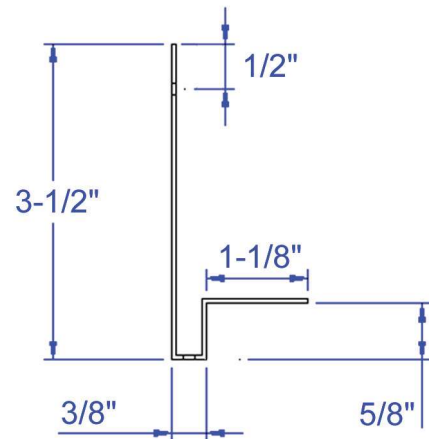
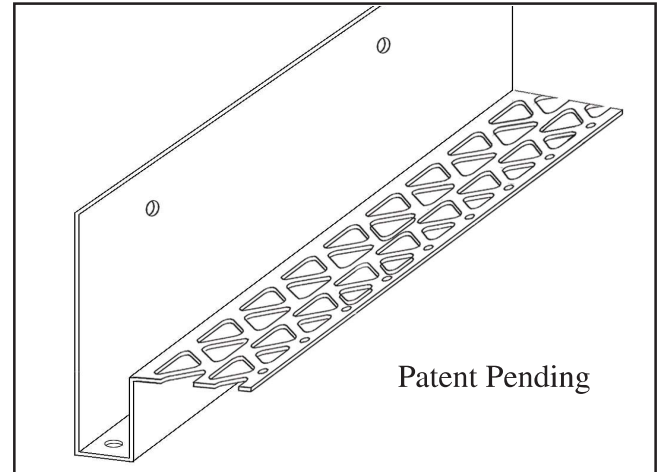
#### MATERIALS

PVC to meet or exceed ASTM D1784 and D4216 with a minimum thickness of 0.050".

AMICO RECOMMENDS THE USE OF ACCESSORIES MADE FROM ZINC ALLOY or PVC MATERIALS FOR ALL EXTERIOR APPLICATIONS.

#### REFERENCES

Meets IBC 2510 and IBC 2511 (for Weep Screed)  
Refer to ASTM C1063 for support spacing, lath selection, fastener selection and further information regarding the proper installation of metal lath and accessories. Meets Buy American Procurement Requirements. Made in the United States of America.



**FIRE TESTING:** Pass, NFPA 285-Multi-Story flammability test.

#### LEED

Both pre and post industrial recyclable content are available – contact AMICO.  
LEED documentation requested from our website at [www.amico-lath.com](http://www.amico-lath.com)

All information contained herein is accurate as known at the time of publication. Specifications may change and AMICO reserves the right to change product specifications without notice and without incurring obligations.

#### ALABAMA METAL INDUSTRIES CORPORATION

3245 Fayette Avenue ♦ Birmingham, AL 35208 ♦ Telephone 800/366-2642 ♦ Facsimile 205/786-6527