

Fiberglass Pultruded Grating

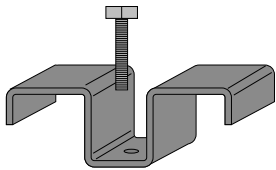
ACCESSORIES

FOR PROPER FIT, MAXIMUM PERFORMANCE USE THE FOLLOWING ACCESSORIES

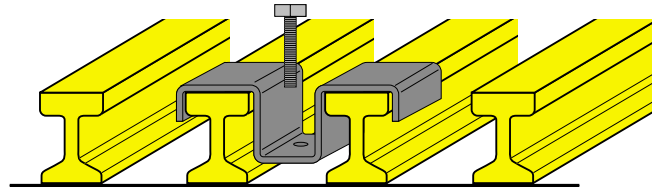
Pultruded Grating

CLIP ASSEMBLIES

Type 316 stainless steel clips, bolts, nuts, and washers are available for panel positioning and hold-down. Standard clips made of special alloys are also available upon request.



**TYPE 316 SS
SADDLE CLIP**



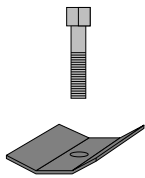
316 stainless steel alloy for I-50, I-60, and T-50 series grating

GRATING

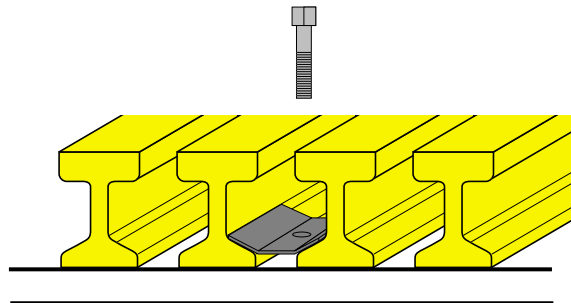
I-6010
I-6015
I-5010
I-5015
T-5020

SADDLE CLIP

GD-I6010CS-316
GD-I6015CS-316
GD-I5000CS-316
GD-I5000CS-316
GD-I5000CS-316



**TYPE 316 SS
PLATE CLIP**



316 stainless steel alloy for I-40 and T-30 series grating

GRATING

I-4010
I-4015
T-3320

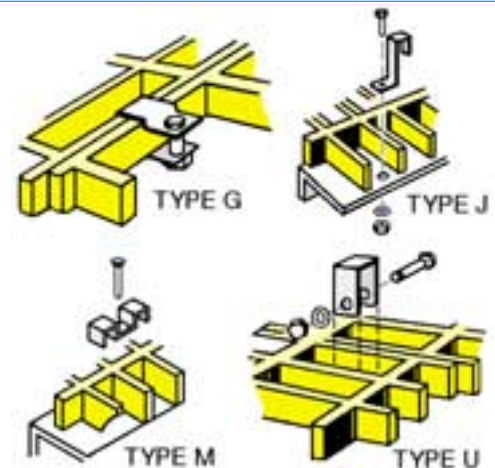
PLATE CLIP

GD-I4000CP-316
GD-I4000CP-316
GD-T3320CP-316

Open Molded Grating

Hardware (Clips)

	Type	SD10	HD10	1510	1515	2020
End Panel	"G"	X	X	X	X	—
Hold Down	"J"	X	X	X	X	X
Hold Down	"M"	—	—	X	X	—
End Panel	"U"	X	X	X	X	X



Type 316 stainless steel clips are available with or without nut, bolt or washer. Other metals available upon request. For maximum safety, we recommend that all grating be fastened to support structure. When ordering clips, please specify type of grating.