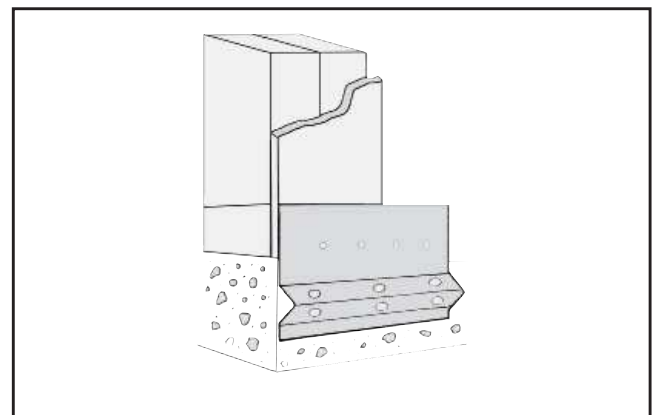
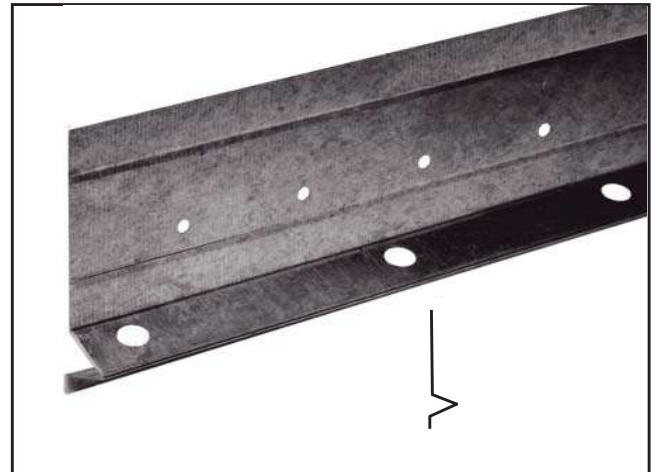


## FOUNDATION WEEP SCREED Galvanized Steel Construction

FOR STUCCO AND PLASTER INSTALLATIONS  
Drainage Wall Applications

The 3½" nailing flange serves as a flashing when water resistant breathable building paper or paper backed lath is installed over the flange. The holes in the "V" stop act primarily as a keying mechanisms and also offer minor moisture weeping capabilities. As stucco cures it will shrink slightly away from the "V" stop allowing moisture to flow down the building paper and exit down the sloped surface.



Submitted Product	Product Number	Ground
	FHA #7	½"
	FHA #7	⅝"
	FHA #7	¾"
	FHA #7	⅞"
	FHA #7	1⅜"
	FHA #7	1½"
Standard Package Lengths are 10-ft.		

### DESCRIPTION

This standard FHA approved screed is required at the base of walls as part of a drainage system for exterior stucco or manufactured stone applications.

### MATERIALS

G60 hot dip galvanized sheet steel to ASTM A653 with a minimum thickness 0.0172-inch prior to galvanizing as required by ASTM C1063 and C1861.

AMICO RECOMMENDS THE USE OF ACCESSORIES MADE FROM ZINC ALLOY, PVC AND OR STAINLESS STEEL MATERIALS FOR ALL EXTERIOR APPLICATIONS.

### COMPLIANCE CRITERIA

Compliant with the following:  
International Building Code - (IBC)  
International Residential Code - (IRC)  
Florida Building Code (FBC) Building  
Florida Building Code (FBC) Residential  
California Building Code (CBC)  
California Residential Code (CRC)

Made in the United States of America

LEED: both pre and post industrial recyclable content are available – contact the manufacturer.

All information contained herein is accurate as known at the time of publication. Specifications may change and AMICO reserves the right to change product specifications without notice and without incurring obligations.

### ALABAMA METAL INDUSTRIES CORPORATION

3245 Fayette Avenue ♦ Birmingham, AL 35208 ♦ Telephone 800/366-2642 ♦ Facsimile 205/786-6527