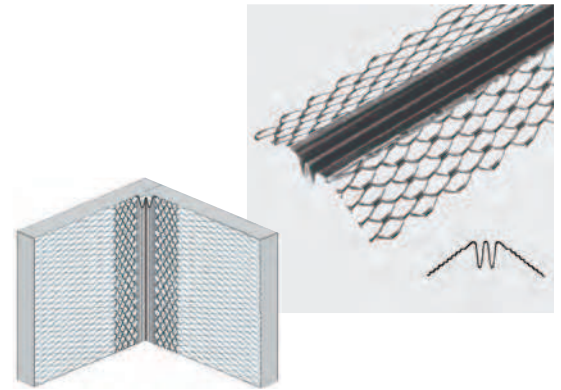


METAL ACCESSORIES

Inside Corner Control Joint (#30 Joint) is similar to the standard M-Type joint, but the flanges are bent to an angle to form inside corners, allowing movement. Produced in galvanized steel in 10' lengths. Verify availability and lead-time.

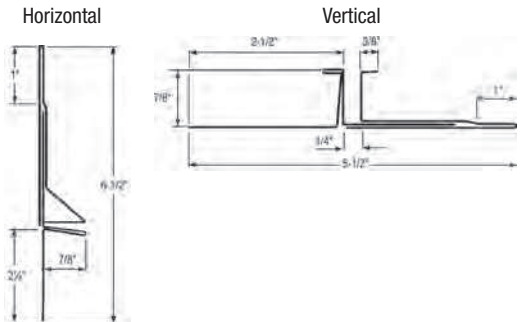
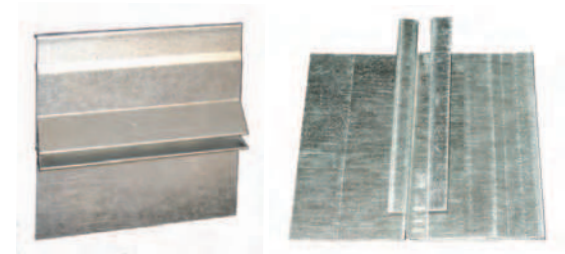
Ground	Pieces/carton	Finish	Weight/carton	Cartons/pallet	Pallet weight
1/2"	24	Galvanized	66 lbs.	20	1320 lbs.



M-Slide™ 2-Piece Expansion Joints (Horizontal and Vertical)

are water management accessories that work like the #40 Joint for movement, but improve the flashing and drainage from the area. **The M-Slide™ Horizontal** combines a weep screed design with a larger, solid flange (on bottom) to provide intermediate flashing/drainage at mid-floor expansion. **The M-Slide™ Vertical** utilizes larger flanges and a stiffer design to “pre-set” the vertical joint for proper attachment. Both versions are produced from G-90 pre-galvanized steel finish, providing additional protection. The 7/8" grounds will work for both 3/4" and 7/8" hard-coat systems. Produced in 10' lengths.

Product #	Grounds	Pieces/carton	Weight/carton	Cartons/pallet	Pallet weight
M-Slide-H	7/8"	10	110 lbs.	12	1320 lbs.
M-Slide-V	7/8"	10	88 lbs.	12	1056 lbs.



2-Piece Expansion Joint (#40 Joint) is used to accommodate movement both horizontally and vertically caused by expansion and contraction in the structure. Installed at through wall expansion joints or where there is a transition from one type of construction to another such as with CMU to wood or metal framing. The opening in the joint is adjustable from 1/4" to 5/8". Produced in 10 ft. lengths, 15 pieces and 150 lineal feet per carton. Special order and requires additional lead time.

Grounds	Galvanized Weight per 1000 Lin. Feet	Zinc Weight per 1000 Lin. Feet
1/2"	378 lbs.	352 lbs.
3/4"	408 lbs.	380 lbs.
7/8"	423 lbs.	394 lbs.

