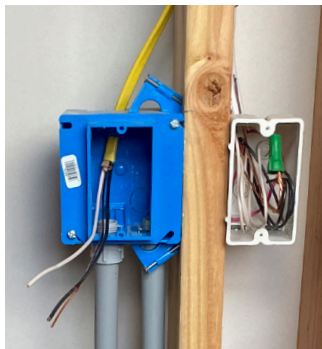


ARDEX FLEXBONE® HEAT

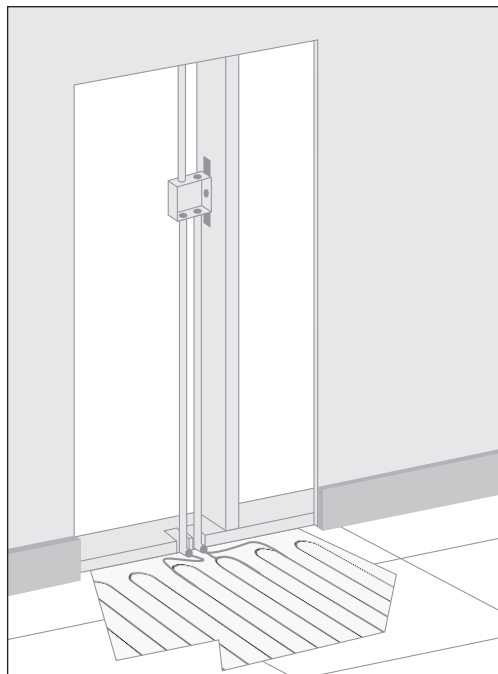
Rough in Worksheet

General Recommendations

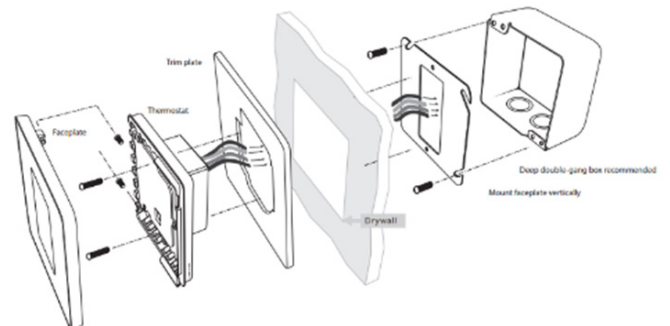
- Warranty Worksheet and Warranty Validation **MUST BE COMPLETED and submitted**
- Important! Never CUT or modify the heating cable in any way. This would change the cable resistance, will cause damage to the cable, and could cause cable overheating. This will also void the warranty! Multiple cable lengths are available to fit different installation areas.
- NEVER install a cable designed for a 120 V power source on a 240/208 V power source.
- A dedicated circuit is recommended for each application, and its rating **must not** exceed 20 amperes. The total current from the branch circuits should not exceed 80% of the circuit breaker limit. De-energize all power circuits before installation and servicing
- Do not connect the ARDEX FLEXBONE Heat thermostats to AFCI circuit breakers. An AFCI circuit breaker may cause the thermostat to trip for other than safety reasons.
- Threading the cold lead from the floor to the thermostat junction box needs to be done within an approved raceway or conduit. The conduit is required to begin at no greater than 2 inches (50 mm) from the floor. The opening in the horizontal stud at the base of the wall, which provides access for the cold lead to the inside of the wall, shall be covered by a steel plate to protect the cold lead from any possible future damages from nails or screws.
- NEVER install the heating cable under vanities with no air space beneath, bathtub platforms, free standing bathtubs with no air space beneath, kitchen cabinets and islands, any other fixtures in storage or clothing closets. Excessive heat will build up in these confined spaces and may cause cable overheating.
- NEVER install the heating cable under or through a wall, partition, or through a floor.
- Minimum wire spacing
 - o 2" (5 cm) From walls, partitions and fixed cabinets
 - o 8" (20 cm) From other heat sources (baseboard heaters, fireplaces, forced air heating ducts, etc.)
 - o 4" (10 cm) Plumbing drains
 - o 7" (18 cm) Centerline of toilet drain
- **Two floor temperature sensor wires are supplied with the heating system. One wire is included in the box containing the heat wire and, the second is included with the thermostat. Both of these sensor wires should be installed in the heating mat but only "ONE" of them is to be connected to the thermostat. The second wire is designed to be a backup.**



Standard Conduit and Junction Box Layout



Double Gang box recommended for proper heating cable connections. Mud plate orientation dependent on thermostat selection.



ARDEX FLEXBONE® HEAT

Rough in Worksheet

ARDEX FLEXBONE® HEAT Cable Sizes and Information

120 volt wires

| Product Name | Voltage | Total Amps | Cable Length (ft.) | Heat Area (sq. ft.) |
|------------------|---------|------------|--------------------|---------------------|
| ARDEX UH 910-15 | 120 | 1.25 | 39.6 | 15 |
| ARDEX UH 910-22 | 120 | 1.88 | 57.9 | 21.5 |
| ARDEX UH 910-28 | 120 | 2.50 | 78 | 28 |
| ARDEX UH 910-36 | 120 | 3.13 | 98 | 35.5 |
| ARDEX UH 910-42 | 120 | 3.75 | 118 | 42 |
| ARDEX UH 910-49 | 120 | 4.38 | 136.4 | 48.5 |
| ARDEX UH 910-55 | 120 | 5.00 | 156.4 | 55 |
| ARDEX UH 910-63 | 120 | 5.63 | 176.4 | 62.5 |
| ARDEX UH 910-68 | 120 | 6.25 | 196.4 | 68 |
| ARDEX UH 910-81 | 120 | 7.50 | 234.8 | 81 |
| ARDEX UH 910-95 | 120 | 8.75 | 274.8 | 95 |
| ARDEX UH 910-108 | 120 | 10.00 | 313.2 | 107.5 |
| ARDEX UH 910-122 | 120 | 11.25 | 353.2 | 121.5 |
| ARDEX UH 910-134 | 120 | 12.50 | 391.6 | 133.5 |
| ARDEX UH 910-151 | 120 | 13.99 | 439 | 150.5 |

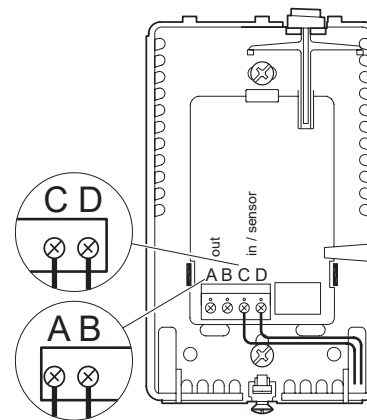
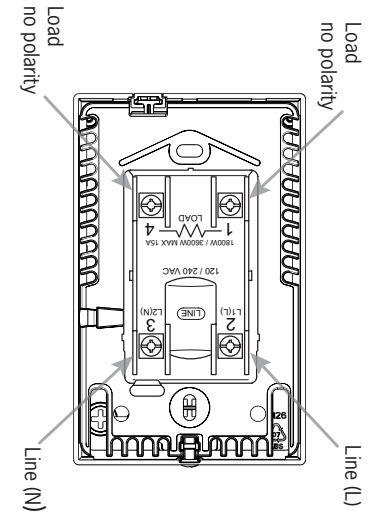
240 volt wires

| Product Name | Voltage | Total Amps | Cable Length (ft.) | Heat Area (sq. ft.) |
|------------------|---------|------------|--------------------|---------------------|
| ARDEX UH 910-151 | 240 | 7.00 | 439 | 150.5 |
| ARDEX UH 910-172 | 240 | 8.14 | 510.8 | 172 |
| ARDEX UH 910-194 | 240 | 9.07 | 569.2 | 194 |
| ARDEX UH 910-216 | 240 | 10.13 | 635.5 | 215.5 |
| ARDEX UH 910-248 | 240 | 11.87 | 744.8 | 247.5 |

FINAL CONNECTIONS

- Final connections should must be made by licensed electrician
- Warranty Worksheet and Warranty Validation **MUST BE COMPLETED AND SUBMITTED**

Turn power source OFF at breaker panel.
Connect power supply wires to line side and heating cable wiring to load side of power base. AWG between 12 - 20.
Note! Do not detach the screws from the terminal. When fastening the screws use a torque between 0.8 - 1.2 Nm / 0.6 - 0.9 lbf-ft.

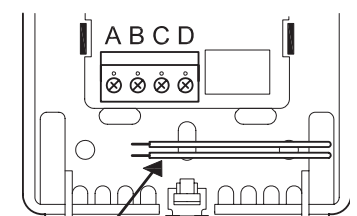


The Floor sensor has no polarity. Connect it to the terminals C and D.

The power module connects to the terminal A and B

Make the sensor connections.

The floor sensor cable must be routed to the junction box separate from power wires and the heating cable cold lead. Ensure that the insulation on the electrical wiring and the floor sensor inside the junction box are not damaged. Push the electrical wires to the back of the electrical box. Thread the floor sensor cable through hole in the power base.



Floor Sensor
Sonde de plancher
Sensor de piso