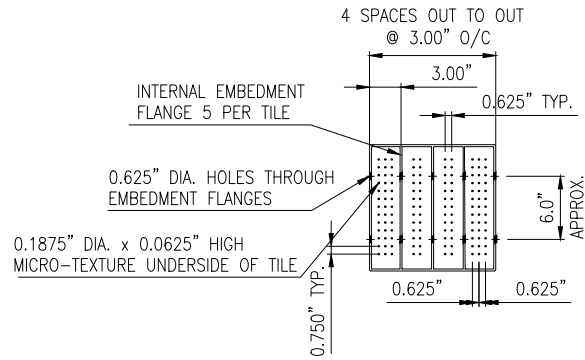
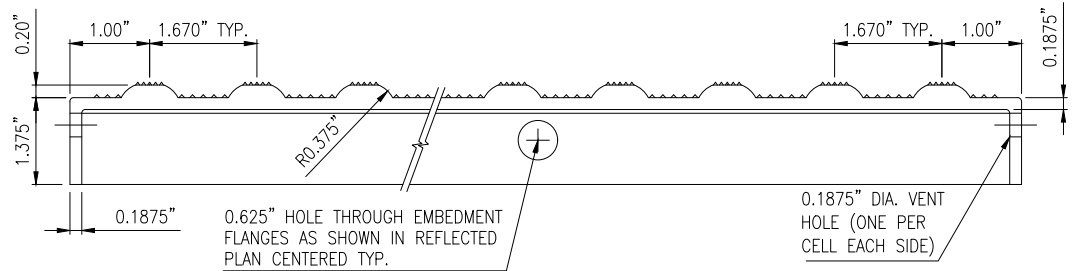


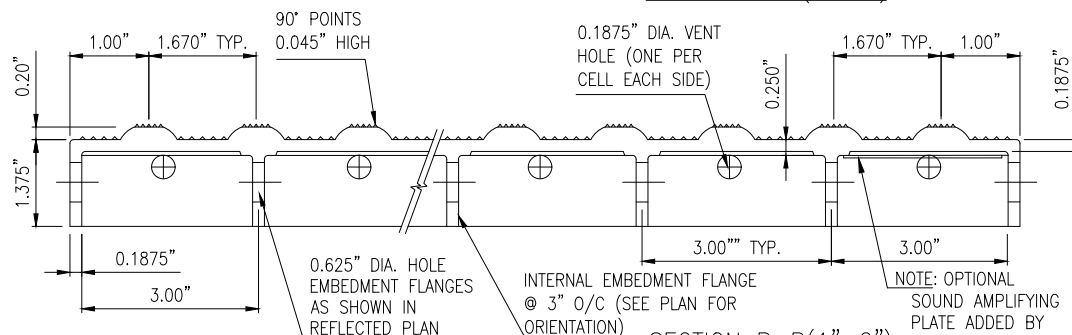
PLAN (1"=1'-0")



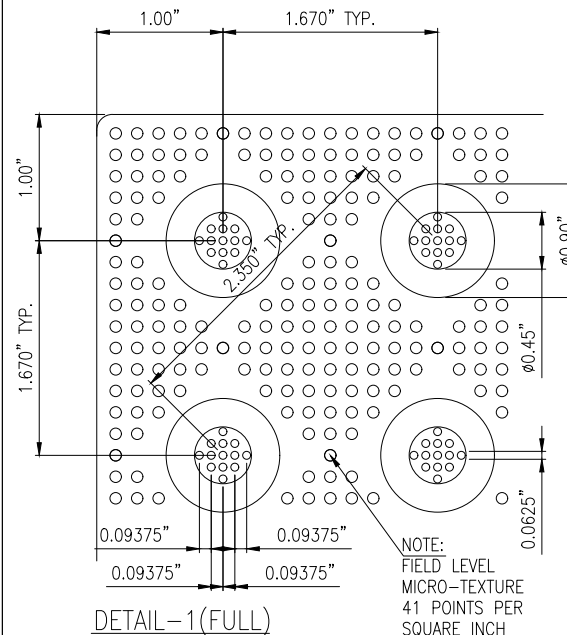
REFLECTED PLAN (1"=1'-0")



SECTION A-A (1"=2")



SECTION B-B (1"=2")



DETAIL-1 (FULL)

MATERIAL LIST			
#	DESCRIPTION	PART No:	QTY
1	ARMOR-TILE	ADA-C-1212-**	1

** COLOR CODE
 YELLOW (YW), RED (RD), BLACK (BK),
 DARK GRAY (DG), LIGHT GREY (LG),
 WHITE (WH), OCHRE YELLOW (OC),
 BLUE (BL), COLONIAL RED (CR)
 CUSTOM COLORS AVAILABLE

No:	DATE	REVISION	APPR.

SCALE

DESIGNED	BY K.S.	DATE
DRAWN	D.G.	07/15/2024
CHECKED		

PROJECT MANAGER

TRADE DETECTABLE WARNING SURFACE	PART No: ADA-C-1212-**
-------------------------------------	---------------------------

MATERIAL
 FIBERGLASS REINFORCED POLYMER COMPOSITE

Armor-Tile™ ADA
 SOUND AMPLIFYING DETECTABLE/TACTILE
 WARNING SURFACE TILE

PROJECT

Armor-Tile™
 DETECTABLE/TACTILE
 WARNING SURFACE TILE
 12" x 12" CAST IN PLACE
 INLINE DOME TACTILE TILE
 PLANS AND DETAILS

DRAWING No: ADA-C-1212	REV. No: 0
---------------------------	---------------