



Axiom® Ceiling Perimeter System is an extruded aluminum trim solution that provides an aesthetic platform to integrate functions such as drapery pockets, air distribution and changes in ceiling elevation.

**KEY SELECTION ATTRIBUTES**

- Pre-engineered 2- and 3-sided pockets allow for acoustical and drywall transitions and are compatible with Armstrong® suspension systems
- Axiom® is part of the Sustain™ portfolio and meets the most stringent industry sustainability compliance standards today
- CleanAssure™ family of products – includes disinfectable panels, suspension systems, and trim
- Seismic perimeter pocket offers 0.875" flange
- Exposed perimeter pocket offering allows for shade concealment in an exposed structure application. Custom colors available
- No pocket detail allows for custom sized pocket integration into the ceiling plane with no visible fasteners.
- Allows for quality control at the perimeter and reduces risk associated with field-fabricated, labor-intensive accommodation of air distribution, window pockets, and ceiling elevation changes at the perimeter of the ceiling
- Replaces the framing, boarding, taping, mudding, sanding, and painting commonly used for drywall pockets
- Custom slotting, perforating and cutting available
- 10-year Limited Warranty; 30-year System Warranty



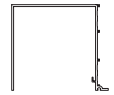
**COLORS**

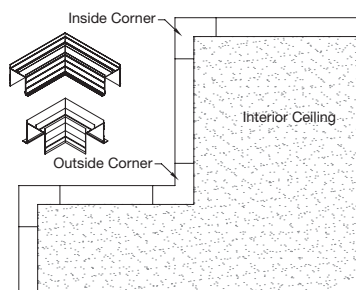


\*Colors that are pre-qualified to meet Sustain™ portfolio requirements are available upon request. Other made-to-order colors must be evaluated if sustainability criteria is required. Lead time will increase.

**VISUAL SELECTION**

**3-SIDED PERIMETER POCKETS AND CORNERS**

	Item No.	Description	Dimensions (Inches)	Length	
Acoustical Flange Pockets	AXP355	Perimeter Pocket with Acoustical Flange	5 x 5 x 5"	120"	
	AXP355ISC	Perimeter Pocket with Acoustical Flange – Inside Corner	12 x 5 x 12"	12"	
	AXP355OSC	Perimeter Pocket with Acoustical Flange – Outside Corner	12 x 5 x 12"	12"	
	AXP355MA	Perimeter Pocket with Acoustical Flange for Traditional Framing	5 x 5 x 5"	120"	
	AXP355MAISC	Perimeter Pocket with Acoustical Flange for Traditional Framing – Inside Corner	12 x 5 x 12"	12"	
	AXP355MAOSC	Perimeter Pocket with Acoustical Flange for Traditional Framing – Outside Corner	12 x 5 x 12"	12"	



# SHADE POCKETS

## Axiom® Ceiling Perimeter System



Calculate sustainability with Green Genie™  
armstrongceilings.com/greengenie

LOCATION DEPENDENT

### VISUAL SELECTION

#### 3-SIDED PERIMETER POCKETS AND CORNERS (continued)

	Item No.	Description	Dimensions (Inches)	Length	
Drywall Flange Pockets and Corners	AXP355D	Perimeter Pocket with Drywall Flange	5 x 5 x 5"	120"	
	AXP355DISC	3-Sided Shade Pocket with Drywall Flange – Inside Corner	12 x 5 x 12"	12"	
	AXP355DOSC	3-Sided Shade Pocket with Drywall Flange – Outside Corner	12 x 5 x 12"	12"	
	AXP355MD	Perimeter Pocket with Drywall Flange for Traditional Framing	5 x 5 x 5"	102"	
	AXP355MDISC	Perimeter Pocket with Drywall Flange for Traditional Framing – Inside Corner	12 x 5 x 12"	12"	
	AXP355MDOSC	Perimeter Pocket with Drywall Flange for Traditional Framing – Outside Corner	12 x 5 x 12"	12"	
Exposed Pockets (custom colors available)	AXP35434E	Exposed Application Perimeter Pocket with Closure Clip Attachment	5 x 5 x 5"	120"	
	AXP355ME	Exposed Application Perimeter Pocket for Traditional Framing	5 x 5 x 5"	120"	
	AXP355MEISC	Exposed Application Perimeter Pocket for Traditional Framing – Inside Corner	12 x 5 x 12"	12"	
	AXP355MEOSC	Exposed Application Perimeter Pocket for Traditional Framing – Outside Corner	12 x 5 x 12"	12"	
Seismic Flange Pockets	AXP355S	Perimeter Pocket with Seismic (0.875") Flange	5 x 5 x 5"	120"	
	AXP355SISC	Perimeter Pocket with Seismic (0.875") Flange – Inside Corner	12 x 5 x 12"	12"	
	AXP355SOSC	Perimeter Pocket with Seismic (0.875") Flange – Outside Corner	12 x 5 x 12"	12"	
	AXP355MS	Perimeter Pocket with Seismic (0.875") Flange for Traditional Framing	5 x 5 x 5"	120"	
	AXP355MSISC	Perimeter Pocket with Seismic (0.875") Flange for Traditional Framing – Inside Corner	12 x 5 x 12"	12"	
	AXP355MSOSC	Perimeter Pocket with Seismic (0.875") Flange for Traditional Framing – Outside Corner	12 x 5 x 12"	12"	
2-Sided Acoustical Flange Pocket (used to organize ceiling cutouts or lighting)	AXP3552	Perimeter Pocket with Acoustical Flange on two sides	5 x 5 x 5"	120"	



INTEGRATED CEILING SOLUTIONS – Standard

# SHADE POCKETS

## AXIOM® Ceiling Perimeter System

### VISUAL SELECTION

	Item No.	Description	Dimensions (Inches)	Length	
Dual Shade Pockets for Manual and Motorized Shades	AXP3711A	Dual Shade Pocket with Acoustical Flange	7 x 11"	120"	
	AXP3711AN	Dual Shade Pocket with Acoustical Flange No Reveal	7 x 11"	120"	
	AXP3711S	Dual Shade Pocket with Seismic	7 x 11"	120"	
	AXP3711D	Dual Shade Pocket with Drywall Flange	7 x 11"	120"	
	AXP3711DR	Dual Shade Pocket with Drywall with Reveal	7 x 11"	120"	
	AXP3711F	Dual Shade Pocket with Face Plate Attachment	7 x 11"	120"	
	AXP3711WC	Dual Shade Pocket with Wall Clip	7 x 11"	120"	
	AXP3685A	Dual Shade Pocket with Acoustical Flange	6 x 8.5"	120"	
	AXP3685AN	Dual Shade Pocket with Acoustical Flange No Reveal	6 x 8.5"	120"	
	AXP3685S	Dual Shade Pocket with Seismic	6 x 8.5"	120"	
	AXP3685D	Dual Shade Pocket Drywall Flange	6 x 8.5"	120"	
	AXP3685DR	Dual Shade Pocket with Drywall with Reveal	6 x 8.5"	120"	
	AXP3685F	Dual Shade Pocket with Face Plate Attachment	6 x 8.5"	120"	
	AXP3685WC	Dual Shade Pocket with Wall Clip	6 x 8.5"	120"	

INTEGRATED CEILING SOLUTIONS – Standard



# SHADE POCKETS

## AXIOM® Ceiling Perimeter System



**LEED WELL LBC**

**50% RECYCLED CONTENT**

energy management  
construction waste mgmt  
regional materials  
design for flexibility  
EPD

recyclable/excised producer resp.  
biobased materials  
recycled content  
sourcing of raw materials  
material ingredient reporting  
low emitting materials  
lighting quality  
acoustics

Calculate sustainability with Green Genie™  
armstrongceilings.com/greengenie

LOCATION DEPENDENT

### VISUAL SELECTION

#### 2-SIDED PERIMETER POCKETS AND CORNERS

	Item No.	Description	Dimensions (Inches)	Length	
Acoustical Flange Pockets	AXP255	Perimeter Pocket with Acoustical Flange	5 x 5 x 5"	120"	
	AXP255ISC	Perimeter Pocket with Acoustical Flange – Inside Corner	12 x 5 x 12"	12"	
	AXP255OSC	Perimeter Pocket with Acoustical Flange – Outside Corner	12 x 5 x 12"	12"	
	AXP236	3" x 6" Perimeter Pocket with Acoustical Flange	3" x 6"	120"	

#### NO POCKET DETAILS

(for use with custom-sized pockets)	AXPNP34A	No Pocket 3/4" Acoustical Flange with Closure Clip Attachment	2-11/16" x 3/4"	120"	
	AXPNP34NR	No Pocket 3/4" Acoustical flange, no reveal with Closure Clip Attachment	2" x 3/4"	120"	
	AXPNP125A	No Pocket 1-1/4" Acoustical Flange with Closure Clip Attachment	2-11/16" x 1-1/4"	120"	
	AXPNP38D	No Pocket Drywall – Taping Flange with 3/8" reveal and Closure Clip Attachment	3-7/16" x 1-3/16"	120"	
	AXPNPD	No Pocket Drywall Taping Flange with Closure Clip Attachment	2-11/16" x 3/4"	120"	

#### CONNECTION PERIMETER POCKETS AND CONNECTION ACCESSORIES

3-Sided Pocket and Corners	AXP355C	Perimeter Pocket with Connection to Extension/Face Plate Piece	5 x 5 x 5"	120"	
	AXP355CISC	Perimeter Pocket with Connection to Extension/Face Plate Piece – Inside Corner	12 x 5 x 12"	12"	
	AXP355COSC	Perimeter Pocket with Connection to Extension/Face Plate Piece – Outside Corner	12 x 5 x 12"	12"	
2-Sided Pocket and Corners	AXP255C	Perimeter Pocket with Connection to Extension/Face Plate Piece	5 x 5"	120"	
	AXP255CISC	Perimeter Pocket with Connection to Extension/Face Plate Piece – Inside Corner	12 x 5 x 12"	12"	
	AXP255COSC	Perimeter Pocket with Connection to Extension/Face Plate Piece – Outside Corner	12 x 5 x 12"	12"	
No Pocket Detail	AXPNPFPA	No Pocket with Face Plate and Closure Clip Attachment	3-11/16" x 1/8"	120"	



# SHADE POCKETS

## AXIOM® Ceiling Perimeter System

### VISUAL SELECTION

#### CONNECTION PERIMETER POCKETS AND CONNECTION ACCESSORIES (continued)

	Item No.	Description	Dimensions (Inches)	Length	
<b>Extensions</b> (custom slotting, perforating and cutouts available)  Pre-engineered 10' (120") perimeter extensions integrate with perimeter pockets to create larger pockets and higher ceiling elevations.	<b>AXPEP4</b>	4" Axiom Perimeter Extension	4"	120"	
	<b>AXPEP6</b>	6" Axiom Perimeter Extension	6"	120"	
	<b>AXPEP8</b>	8" Axiom Perimeter Extension	8"	120"	
	<b>AXPEP4H</b>	4" Axiom Perimeter Extension – Hook on Both Sides	4"	120"	
	<b>AXPEPS6</b>	6" Seismic Perimeter Extension with 0.875" Flange	6"	120"	
	<b>Face Plates</b> (custom slotting, perforating and cutouts available)  Pre-engineered 10' (120") extruded aluminum face plates integrate with perimeter pockets and can be slotted to allow for air distribution along the perimeter of a space.	<b>AXPDFP4</b>	4" Axiom® Perimeter Face Plate with Acoustical Flange – Unslotted	4" Unslotted	
<b>AXPDFP4SLA</b>		4" Axiom Perimeter Face Plate with Acoustical Flange – 2-Slot Pattern	4" Slotted, 3/4" x 23"	120"	
<b>AXPDFP4SLB</b>		4" Axiom Perimeter Face Plate with Acoustical Flange – 1-Slot Pattern	4" Slotted, 2-3/4" x 23"	120"	
<b>AXPDFP7</b>		7" Axiom Perimeter Face Plate with Acoustical Flange – Unslotted	7" Unslotted	120"	
<b>AXPDFP7SLA</b>		7" Axiom Perimeter Face Plate with Acoustical Flange – 2-Slot Pattern	7" Slotted, 3/4" x 23"	120"	
<b>AXPDFP7SLB</b>		7" Axiom Perimeter Face Plate with Acoustical Flange – 1-Slot Pattern	7" Slotted, 2-3/4" x 23"	120"	
<b>AXPDFPS7</b>		7" Axiom Seismic Perimeter Face Plate with 0.875" Flange – Unslotted	7" Unslotted	120"	
<b>AXPDFPS7LA</b>		7" Axiom Seismic Perimeter Face Plate with 0.875" Flange – 2-Slot Pattern	7" Slotted, 3/4" x 23"	120"	
<b>AXPDFPS7LB</b>		7" Axiom Seismic Perimeter Face Plate with 0.875" Flange – 1-Slot Pattern	7" Slotted, 2-3/4" x 23"	120"	
<b>AXPDFP4DT</b>		4" Axiom Perimeter Face Plate with Drywall Flange – Unslotted	4" Unslotted	120"	
<b>AXPDFP4DTSLA</b>		4" Axiom Perimeter Face Plate with Drywall Flange – 2-Slot Pattern	4" Slotted, 3/4" x 23"	120"	
<b>AXPDFP4DTSLB</b>		4" Axiom Perimeter Face Plate with Drywall Flange – 1-Slot Pattern	4" Slotted, 2-3/4" x 23"	120"	
<b>AXPDFP7DT</b>		7" Axiom Perimeter Face Plate with Drywall Flange – Unslotted	7" Unslotted	120"	
<b>AXPDFP7DTSLA</b>		7" Axiom Perimeter Face Plate with Drywall Flange – 2-Slot Pattern	7" Slotted, 3/4" x 23"	120"	
<b>AXPDFP7DTSLB</b>	7" Axiom Perimeter Face Plate with Drywall Flange – 1-Slot Pattern	7" Slotted, 2-3/4" x 23"	120"		
<b>PERIMETER POCKET ACCESSORIES</b>					
<b>Closure Clips</b>  Aluminum 10' (120") closure clip provides concealment of the perimeter pocket should a shade or blind be installed.	<b>AXPCC2</b>	2" Axiom Building Perimeter Closure Clip	N/A	120"	
	<b>AXPCC3</b>	3" Axiom Building Perimeter Closure Clip	N/A	120"	
<b>End Caps</b>  Provides a capping at the end of a perimeter pocket.	<b>AXCPCI</b>	3-Sided Axiom Building Perimeter End Cap (Compatible with AXP355, AXP355C, AXP355S, AXP3552)	N/A	N/A	
	<b>AXCPCIV</b>	2-Sided Axiom Building Perimeter End Cap (Compatible with AXP255, AXP255C)	N/A	N/A	
	<b>AXP35434EEC</b>	3-Sided End Cap for Exposed Pocket (AXP35434E) – Custom colors available	N/A	N/A	
	<b>AXP355MEC</b>	3-Sided End Cap for Traditional Framing Pockets (AXP355MA, AXP355MD, AXP355ME, AXP355MS)	N/A	N/A	
	<b>AXP355DEC</b>	3-Sided End Cap for Drywall Flange Pocket (AXP355D)	N/A	N/A	
<b>Seismic Accessories</b>	<b>BERCAXT</b>	Axiom Beam End Retaining Clip for Seismic Applications	N/A	N/A	
	<b>AXSA75</b>	Axiom Adapter Clip with 0.75" Flange for seismic applications attaches to standard pocket, extension, and face plate flanges to meet seismic certifications.	N/A	N/A	

INTEGRATED CEILING SOLUTIONS – Standard

# SHADE POCKETS

## AXIOM® Ceiling Perimeter System



Calculate sustainability with Green Genie™  
armstrongceilings.com/greengenie

energy management	recyclable/producer resp.
construction waste mgmt	biobased materials
regional materials	recycled content
design for flexibility	sourcing of raw materials
EPD	material ingredient reporting
	low emitting materials
	lighting quality
	acoustics

LOCATION DEPENDENT

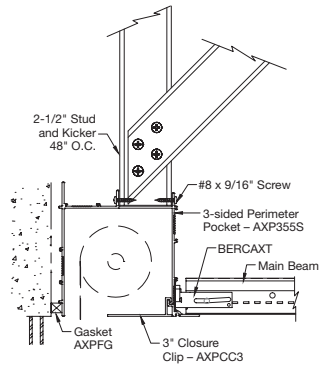
### VISUAL SELECTION

#### PERIMETER POCKET ACCESSORIES (continued)

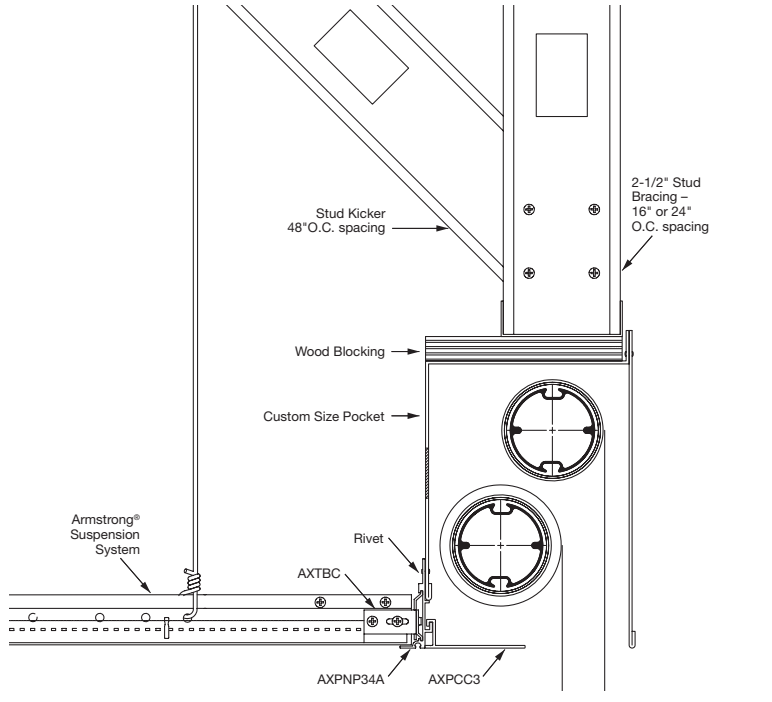
Item No.	Description	Dimensions (Inches)	Length
<b>Installation Accessories</b>			
<b>AXBTSTR</b>	Axiom® Bottom Drywall Trim for 5/8" Drywall	120 x 1-1/8 x 27/32"	120"
<b>AXPWC</b>	Axiom Wall Clip with Hook for Face Plate	N/A	120"
<b>AXPWCCP</b>	Axiom Wall Clip with Hook for Closure Clip Attachment	N/A	120"
<b>AX4SPlice</b>	Axiom Splice Plate – Provides positive lock between abutting pockets.	N/A	N/A
<b>AXPFG</b>	Foam Gasketing – Used between perimeter pocket piece and exterior window or exterior wall.	N/A	25' Roll
<b>AXPSPLINE</b>	Axiom Building Perimeter Interlocking Spine for connection between perimeter pocket and extension or face plate piece	N/A	120"

Axiom customer service is available to help you create custom pockets, slot designs, perforations, and cutouts to meet your project needs: 800 840-8521

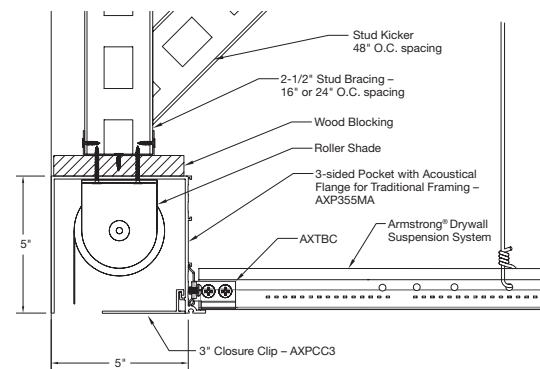
#### Perimeter Pocket with Seismic Flange



#### Custom Double Shade Pocket with No Pocket Detail



#### Perimeter Pocket with Acoustical Flange for Traditional Framing



#### PHYSICAL DATA

**Material**  
Extruded aluminum

**Surface Finish**  
Factory-applied baked polyester paint finish. The areas of the 3-sided perimeter pocket, that will be visible once the shade and closure clip are in place, have full paint coverage. The exposed pockets have complete paint coverage.

**Cleaning & Disinfecting**  
Cleaning and CDC approved disinfecting options available on [armstrongceilings.com/cleaning](http://armstrongceilings.com/cleaning)

