

AXIOM® Light Covers – Indirect Field straight & curved



Axiom® Indirect Field Light Covers

KEY SELECTION ATTRIBUTES

- Axiom Indirect Field Light Covers offer solutions for any lighting condition and perfect integration with all Armstrong suspension systems
- Axiom light covers are part of the Sustain™ portfolio and meet the most stringent industry sustainability compliance standards today
- Adjustability of the drywall vertical leg allows for field modification
- CleanAssure™ family of products – includes disinfectable panels, suspension systems, and trim
- Designed with a notched channel for perfect integration with Axis Cove Perfekt™ Lighting, and Vode® ZipWave™ Lighting fixtures. All fixtures deliver aim-free predictable lighting solutions
- new** Keyless light cover options provide additional flexibility and are compatible with most standard fixture lighting
- Pre-fabricated corners
- Ability to cut to the length desired in the field
- 10-Year Limited Warranty, 30-Year System Warranty

TYPICAL APPLICATIONS

- Offices
- Corridors
- Restrooms
- Healthcare
- Lobbies
- Boardrooms
- Retail
- Retrofits

LIGHTING FIXTURES

Compatible with:
Axis Lighting and Vode Lighting
For use with notched light covers



COLOR



White (WH)



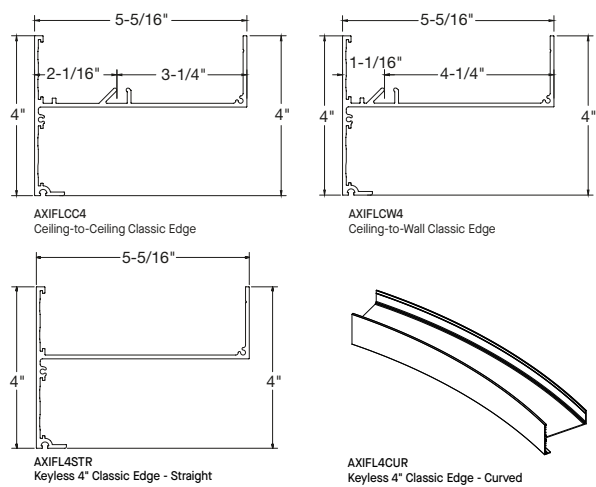
Custom Colors Available

VISUAL SELECTION

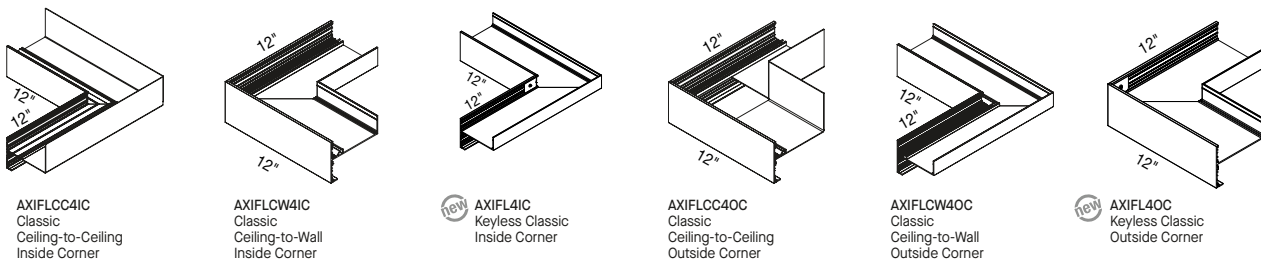
	Item No.†	Description
Axiom Indirect Field Light Cover – Classic Profile	AXIFLCC4	Ceiling-to-Ceiling 4" Classic Edge
	AXIFLCW4	Ceiling-to-Wall 4" Classic Edge
new	AXIFL4STR	Keyless 4" Classic Edge - Straight
new	AXIFL4CUR*	Keyless 4" Classic Edge - Curved

* MINIMUM BEND RADIUS FOR INDIRECT LIGHT COVES Inside: 60" minimum Outside: 60" minimum

EDGE DETAILS



CORNERS FOR CLASSIC PROFILES††



† Axiom Indirect Field Light Covers are 10' in length
†† Axiom Indirect Field Light Cove Corner faces are 12" in length.

AXIOM® Light Covers – Indirect Field straight & curved



Declare.

RECYCLED CONTENT

UP TO 50%

LEED V5

COMMON MATERIALS FRAMEWORK

Human Health

Declare Label

HPD

3rd Party CDPH

Ecomedes Data

Climate Health

EPD

Ecosystem Health

EPD

Circular Economy

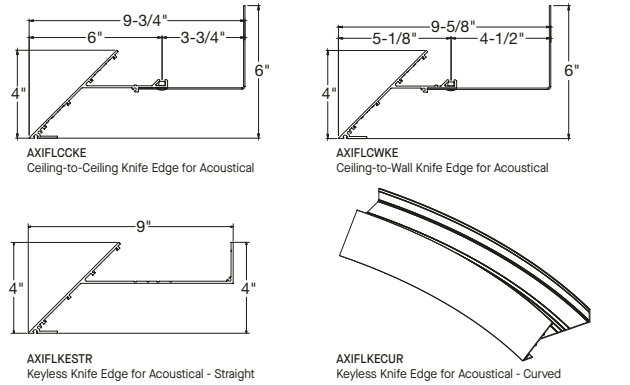
✓

VISUAL SELECTION

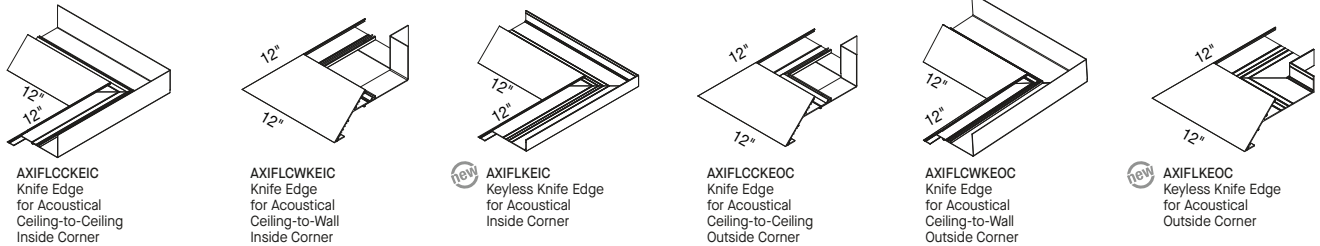
Item No.†	Description
AXIFLCCKE	Ceiling-to-Ceiling Knife Edge for Acoustical
AXIFLCWKE	Ceiling-to-Wall Knife Edge for Acoustical
new AXIFLKESTR	Keyless Knife Edge for Acoustical – Straight
AXIFLKECUR*	Keyless Knife Edge for Acoustical – Curved

* MINIMUM BEND RADIUS FOR INDIRECT LIGHT COVES Inside: 144" minimum Outside: 144" minimum

EDGE DETAILS



CORNERS FOR KNIFE EDGE® ACOUSTICAL PROFILES††



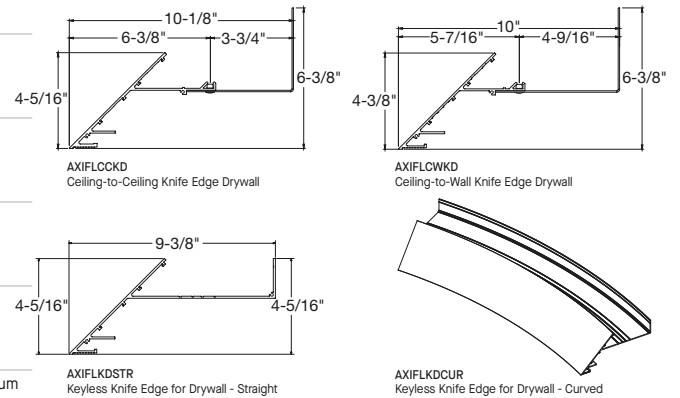
† Axiom Indirect Field Light Covers are 10' in length
 †† Axiom Indirect Field Light Cove Corner faces are 12" in length.

VISUAL SELECTION

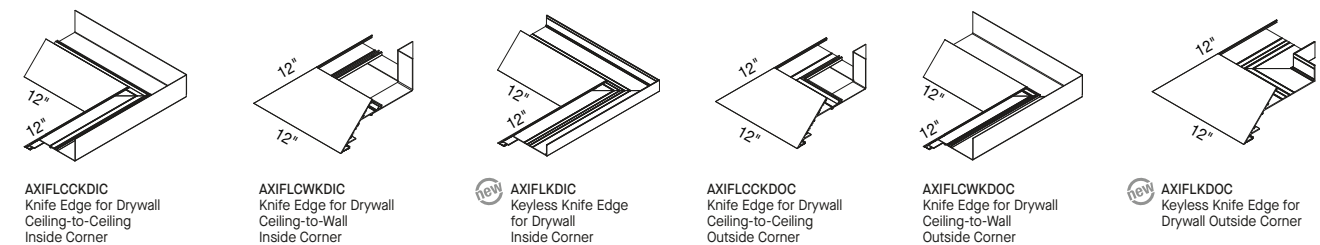
Item No. †	Description
AXIFLCKDK	Ceiling-to-Ceiling Knife Edge for Drywall
AXIFLCWKD	Ceiling-to-Wall Knife Edge for Drywall
new AXIFLKDSTR	Keyless Knife Edge for Drywall – Straight
new AXIFLKDCUR*	Keyless Knife Edge for Drywall – Curved

* MINIMUM BEND RADIUS FOR INDIRECT LIGHT COVES Inside: 144" minimum Outside: 144" minimum

EDGE DETAILS



CORNERS FOR KNIFE EDGE® DRYWALL PROFILES††



† Axiom Indirect Field Light Covers are 10' in length
 †† Axiom Indirect Field Light Cove Corner faces are 12" in length.



AXIOM® Light Covers – Indirect Field straight & curved



Declare.

RECYCLED
CONTENT

UP TO
50%

LEED V5

Ecomedes Data

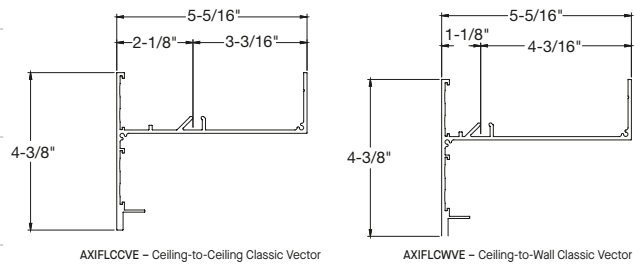
COMMON MATERIALS FRAMEWORK

Human Health	Declare Label	Climate Health	EPD
	HPD	Ecosystem Health	EPD
	3 rd Party CDPH	Circular Economy	✓

VISUAL SELECTION

	Item No.	Description
4" Vector	AXIFLCCVE	Ceiling-to-Ceiling
	AXIFLCWVE	Ceiling-to-Wall

EDGE DETAILS



ACCESSORIES

Item No.	Description
AXCCLT45	45° T-Bar Connector Twist For use with Knife Edge® for Coves
AXBTSTR	Axiom® Bottom Drywall Trim For use with 4" Classic Edge Coves only
AXTBC	T-Bar Connector Clip For use with 4" Classic Edge Coves only
AX4SPLICE	Axiom® Splice Plate

Item No.	Description
151220E	12" Knurled Angle Molding
DW90C	90° Drywall Angle Clip
7857	Reverse Angle Molding



TRIM & TRANSITIONS – Standard

AXIOM® Light Covers – Indirect Field straight & curved



Declare.

RECYCLED
CONTENT

UP TO
50%

LEED V5

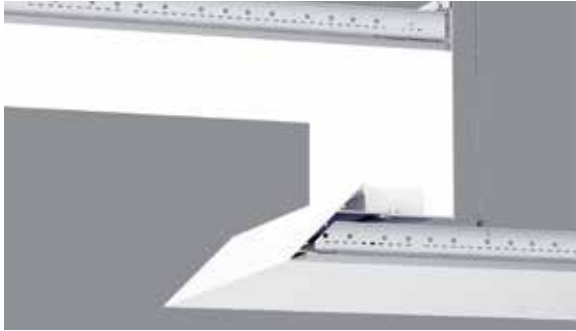
Ecomedes Data

COMMON MATERIALS FRAMEWORK

Human Health	Declare Label	Climate Health	EPD
	HPD	Ecosystem Health	EPD
	3rd Party CDPH	Circular Economy	✓

LIGHTING PARTNERS

Lighting and diffuser solutions are available through partner companies



Outstanding Aesthetics

- No shadows. No bright spots. No color shifting.

Easy Specification

- Aim-free luminaire. No need for complex details. Less trade coordination.

Unparalleled Performance

- Twice the efficiency of other LED cove products.

Worry-free Installation & Maintenance

- Foolproof keyed mounting. Up to 90% less labor.



Wall



Ceiling

For compatible lighting details, visit axislighting.com



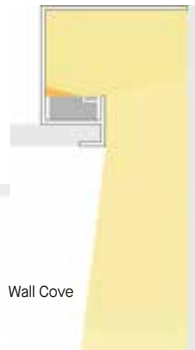
ZipWave™ LED 707

Exceptional Performance

- Low, standard, and high outputs available
- High output over 1200 lm/ft.
- Customizable output and wattage options

Foolproof Installation

- Drop-in, tool-free installation with plug and play connections
- Runs 100' or more from one 120v power feed
- Section lengths in exact 1' (305mm) increments



Ceiling Cove

Wall Cove

For compatible lighting details, visit vode.com/zipwave-led-707

PHYSICAL DATA

Material

Commercial quality 3003 aluminum alloy

Surface Finish

Factory-applied baked polyester paint finish

Cleaning & Disinfecting

Cleaning and CDC-approved disinfecting options available on armstrongceilings.com/cleaning

Warranty

10-Year Limited Warranty; 30-Year System Warranty

Profile

Various options with both Ceiling-to-Wall and Ceiling-to-Ceiling Light Ledges in a wide range of sizes with 3/4" horizontal flange.

Cross Tee/Main Beam Interface

Flush fit

End Detail

Splice with screws

Design Consideration for Keyless Covers

Recommended fixture weight is approximately 2 LBS/LFT.

TechLine / 1 877 276-7876
armstrongceilings.com/lightcovers
BPCS-5656-226

LEED® is a registered trademark of the U.S. Green Building Council; Declare® and Living Building Challenge® (LBC) are registered trademarks of the International Living Future Institute®; WELL™ and WELL Building Standard are trademarks of the International WELL Building Institute; Axis, Cove Perfekt, and SurroundLite are trademarks of Axis Lighting; Vode® and ZipWave™ are trademarks of Vode Lighting LLC; all other trademarks used herein are the property of AWI Licensing LLC and/or its affiliates © 2026 AWI Licensing LLC

Armstrong®
World Industries



TRIM & TRANSITIONS – Standard