

AXIOM[®] Transitions

Assembly and Installation Instructions

1. GENERAL

1.1 Description

Axiom[®] Transitions trim simplifies the construction of drywall perimeters surrounding Tegular or Vector[®] ceiling panels. Flush Transitions are used between two ceiling planes at the same height accommodating acoustical-to-acoustical, acoustical-to-drywall, and drywall-to-drywall. Our Field Transition is used in place of a bulkhead when you are transitioning between two ceiling systems or changing ceiling system direction. We also provide elevation change options when there is a height transition less than 10".

Flush Transitions can be straight or curved eliminating the vertical drywall return at the transition providing a perfect fit and finish every time.

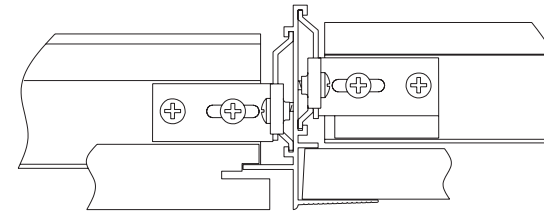
AXTRVESTR is available in 10' long straight sections only and is used with full module installations of Vector ceiling panels. It is 2-9/16" high.

Above is the typical installation of the Axiom Transitions (no elevation change) components. The versions for Tegular panels can be used with full-size or cut ceiling panels.

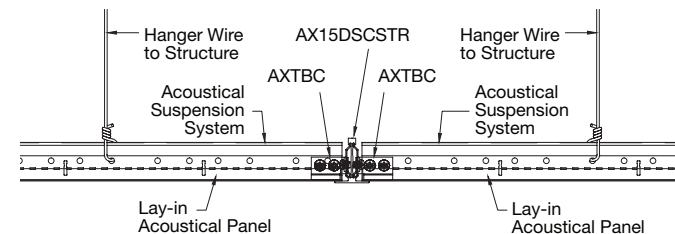
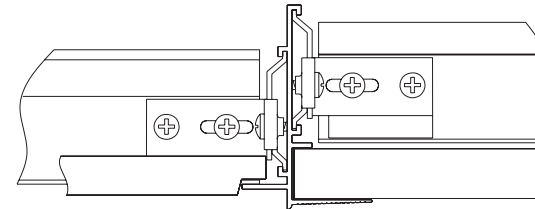
Armstrong[®] Touch-up Paint may be required for cut ceiling panels – Item# 5760 (8 oz) or 5761 (16 oz).

These Axiom[®] Transitions components feature an integrated taping flange that simplifies the finishing of the drywall edge.

AX15DSCSTR and AX15SDCCUR are for acoustical-to-acoustical flush transitions. These are great transition pieces to tie different systems or layouts together, and can be curved horizontally.



Axiom Transitions trim with Vector[®] panel to drywall perimeter (AXTRVESTR)



Straight:

- AXTR7901STR
- AXTR7902STR
- AXTR7904STR
- AXTR7905STR
- AXTR7906STR
- AXTR7907STR
- AXTR7908STR
- AXTR7909STR
- AXTR7910STR
- AXTR7911STR
- AXTR7912STR
- AX15DSCSTR

Curved:

- AXTR7901CUR
- AXTR7902CUR
- AXTR7904CUR
- AXTR7905CUR
- AXTR7906CUR
- AXTR7907CUR
- AXTR7908CUR
- AXTR7909CUR
- AXTR7910CUR
- AXTR7911CUR
- AXTR7912CUR
- AX15DSCCUR

Axiom Transitions also accommodates elevation changes from 1" to 10". Acoustical-to-acoustical, acoustical-to-drywall, drywall-to-acoustical, and drywall-to-drywall transitions can be made in 2", 4", 6", 8", and 10" transitions. These transitions are available in 10' straight or curved sections made to your shop drawings. The minimum bend radius on 2"- 8" is 48", and the minimum bend radius on the 10" is 60".

Straight:

- AXTR2STR – 2"
- AXTR4STR – 4"
- AXTR6STR – 6"
- AXTR8STR – 8"*
- AXTR10STR – 10"

Curved:

- AXTR2CUR – 2"
- AXTR4CUR – 4"
- AXTR6CUR – 6"
- AXTR8CUR – 8"
- AXTR10CUR – 10"

These instructions are divided into four sections detailing material delivery and identification, component assembly, installation, and final detailing. Please carefully review all appropriate sections before proceeding with installation.

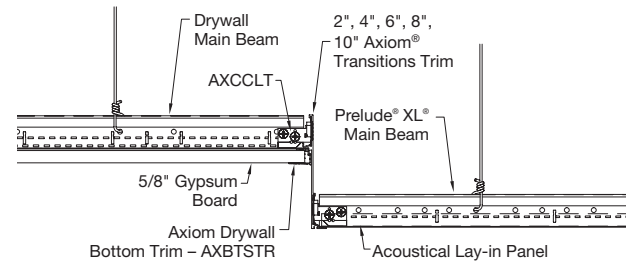
2. MATERIAL DELIVERY AND IDENTIFICATION

2.1 Delivery

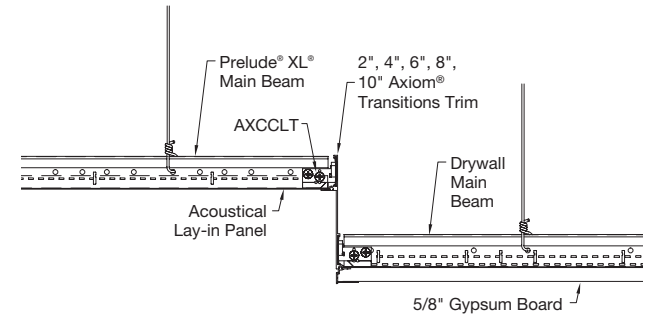
Axiom® Transitions components and hardware are delivered to the job site in specially designed packaging. Exercise appropriate care to protect the finished surfaces of the channel trim.

2.2 Review

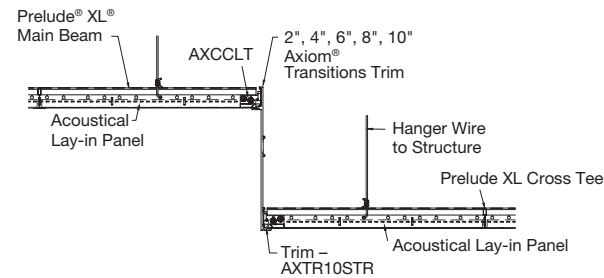
Review the packing slip to ensure that the complete order has been delivered to the site.



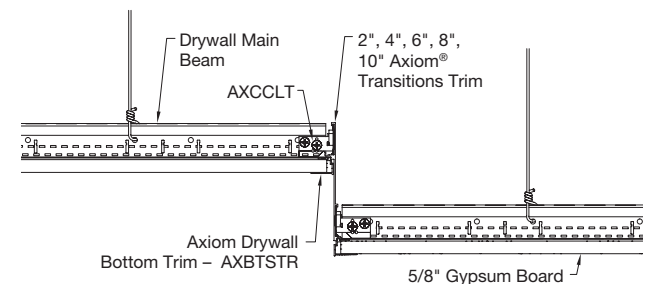
Drywall-to-Acoustical



Acoustical-to-Drywall



Acoustical-to-Acoustical



Drywall-to-Drywall

3. COMPONENT ASSEMBLY

3.1 Splice Plates

Steel splice plates are used to align and secure all joints between sections of Axiom Transitions trim. Each joint will require one splice. Splice plates are secured to the trim sections using factory-installed screws.

Typical procedure

3.1.1 Position the splice plate (AXSPLICE2) in the bosses on the inside of the trim.

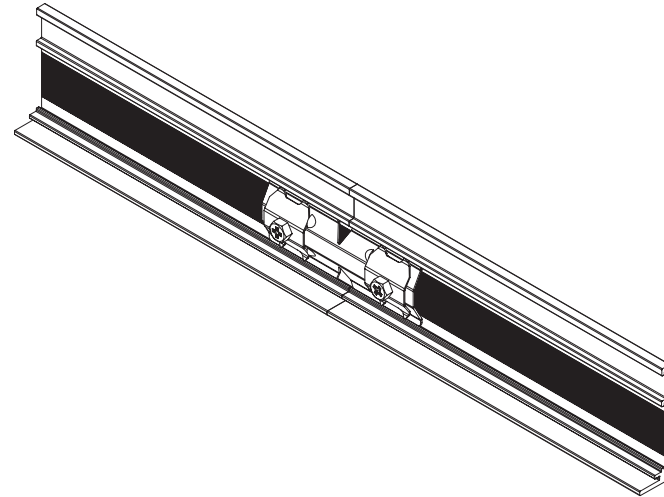
3.1.2 Tighten the screws that secure the splice to the trim.

3.2 T-Bar Connector Clips

There are three versions of the T-Bar connector clip that can be used with the 7900 series items (1" transition or less) and the AX15DSC:

- The AXTBC is used in installations where the grid will rest flush on the Axiom flange (e.g. drywall, square lay-in, full size Vector® and Tegular panels), or need to be raised 1/4" (e.g. cut Tegular panels, Silhouette® and Interlude® suspension system). One clip is required at each location where the suspension system intersects the channel trim.
- The AXVTBC is used in installations where the grid will need to be raised 3/8" or 1/2" (cut Vector panels). The AXVTBC must be requested at the time of order in lieu of the AXTBC clips. One clip is required at each location where the suspension system intersects the channel trim.
- The ATC (Adjustable Trim Clip; item 7239) can be used in various installations to accommodate a range of grid offsets. This clip can be adjusted to install grid at 0" to 3-3/4" above the flange of the Axiom trim at 1/8" increments. This adjustability enables Axiom® Transitions to be installed with a range of WoodWorks®, MetalWorks™, and other Architectural Specialties products. One clip is required at each location where the suspension system intersects the channel trim.

All installations with the following elevation change items: AXTR2STR, AXTR2CUR, AXTR4STR, AXTR4CUR, AXTR6STR, AXTR6CUR, AXTR8STR, AXTR8CUR, AXTR10STR, and AXTR10CUR will ship with the AXCCLT for connection to the grid system. One clip is required at each location where the suspension system intersects the channel trim.



AXSPLICE2 Splice Plate

T-Bar Connector Clips are attached to the suspension system members using screws supplied by the installer. Framing screws (#6 x 7/16" or 1/2" lg.) are typical.

Typical procedure

Review the packing slip to ensure that the complete order has been delivered to the site.

3.2.1 Cut suspension system to length.

3.2.2 Attach clip to suspension system member.

3.2.3 Engage clip in channel bosses and tighten locking screw.

4. GENERAL INSTALLATION PROCEDURES FOR ALL STRAIGHT AND CURVED AXIOM® TRANSITIONS TRIMS

4.1 Lay out and install the suspension system according to the reflected ceiling plan.

4.2 Attach the T-Bar Connector Clips

4.2.1 Align clips as shown in section 3.2.

4.2.2 Insert one framing screw near the center of the slot.

4.3 Install the Axiom Transitions

4.3.1 Hang the sections of trim onto the suspension system by engaging the top ear of the connector clips under the boss of the channel trim. Slide the back plate downward to engage the lower boss on the trim and secure by tightening the locking screw.

NOTE: It may be helpful to drill holes into the Axiom® Transitions trim (no elevation change) and hang before cutting the suspension system in place.

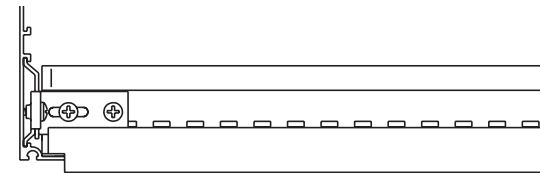
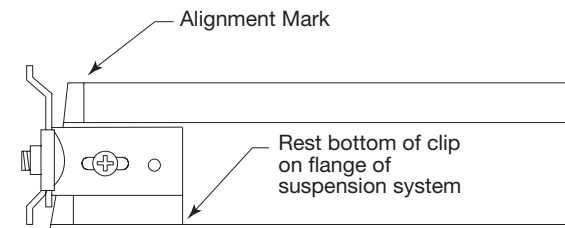
4.3.2 Install the drywall grid system using additional AXTBC clips to complete the installation of the suspension system.

4.3.3 Complete the installation of all channel trim sections. Install and secure the splices.

4.3.4 Make adjustments as necessary to properly align the complete installation. Insert a second framing screw in each of the connector clips.

4.4 Add additional hanger wires as required

4.4.1 The manufacturer requires that Axiom systems and their supporting suspension systems be installed and supported in a manner that complies with all applicable codes and standards. Typically this will require the use of #12 gauge galvanized, soft annealed steel wire or equivalent. Specification and approval of alternate materials should be by design professionals familiar with the project. Wire wraps should be tight and neat.



4.4.2 Main beams must be supported four feet on center or by calculation based on actual ceiling weight.

4.4.3 Cross tees located on each side of an end detail trim must be supported by wires located not more than 8" from the trim.

4.4.4 Installations in areas requiring seismic restraint must have wires attached to each suspension system member within 8" of the cut end. This practice is highly recommended for all installations. Lateral force bracing shall be consistent with locally approved standards, or as detailed in the specifications.

4.4.5 Some seismic installations may classify the trim elements as "items" and require independent support from the building structure. In this situation, two hanger wires, connected to hanging clips (AX2HGC) or through holes drilled through to web of the Axiom® Transitions trim, will be required for each section of channel trim.

4.4.6 Install, finish, and paint 5/8" thick drywall panels.

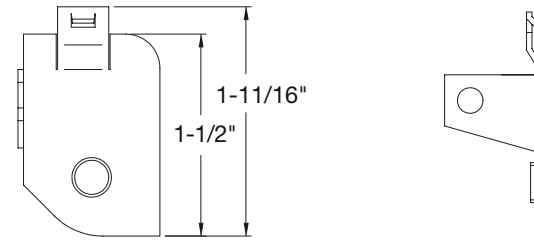
4.4.7 Install ceiling panels after all drywall work is completed.

4.4.8 Color exposed cut edges of cut panels to match factory finish.

Tapable Flange Installation

1. Install the moldings after the gypsum board is mounted in place.
2. Provide backing so that the moldings may be attached with #6 drywall screws 16" O.C. for horizontal applications.
3. Prior to taping, the attachment flanges should be cleaned using a non-abrasive cleaner and soft rag. When veneer plaster is specified, the flanges must be treated with a bonding agent.
4. Be sure the tape does not overlap the edge of the reveal and an 8" wide trowel is used to apply the final skim coat.

NOTE: Fiberglass self-adhesive drywall tape will reduce taping time and help avoid possible cracking.



AX2HGC Hanging Clip

5. GENERAL INSTALLATION PROCEDURES – AXTRVSTR

5.1 Lay out and install the suspension system according to the reflected ceiling plan.

5.2 Cut and install the suspension system to maintain precisely 23-1/16" between the outer edge of the 15/16" T-Bar suspension system and the inner edge of the Axiom Transitions trim.

5.3 Continue installation as detailed in sections 4.2 through 4.4.6.

5.4 Install Vector® ceiling panels

6. FINAL DETAILING

6.1 Check and adjust the alignment of Axiom® components and ceiling panels.

6.2 Clean exposed surfaces as required. Painted Axiom components may be wiped down with a mild household cleaner to remove fingerprints, oil, etc.

6.3 Touch up painted components as required.

MORE INFORMATION

For more information, or for an Armstrong Ceilings representative, call 1 877 276 7876.

For complete technical information, detail drawings, CAD design assistance, installation information, and many other technical services, call TechLine customer support at 1 877 276 7876 or FAX 1 800 572 TECH.

All other trademarks used herein are the property of AWI Licensing LLC and/or its affiliates.

© 2023 AWI Licensing Company Printed in the United States of America

