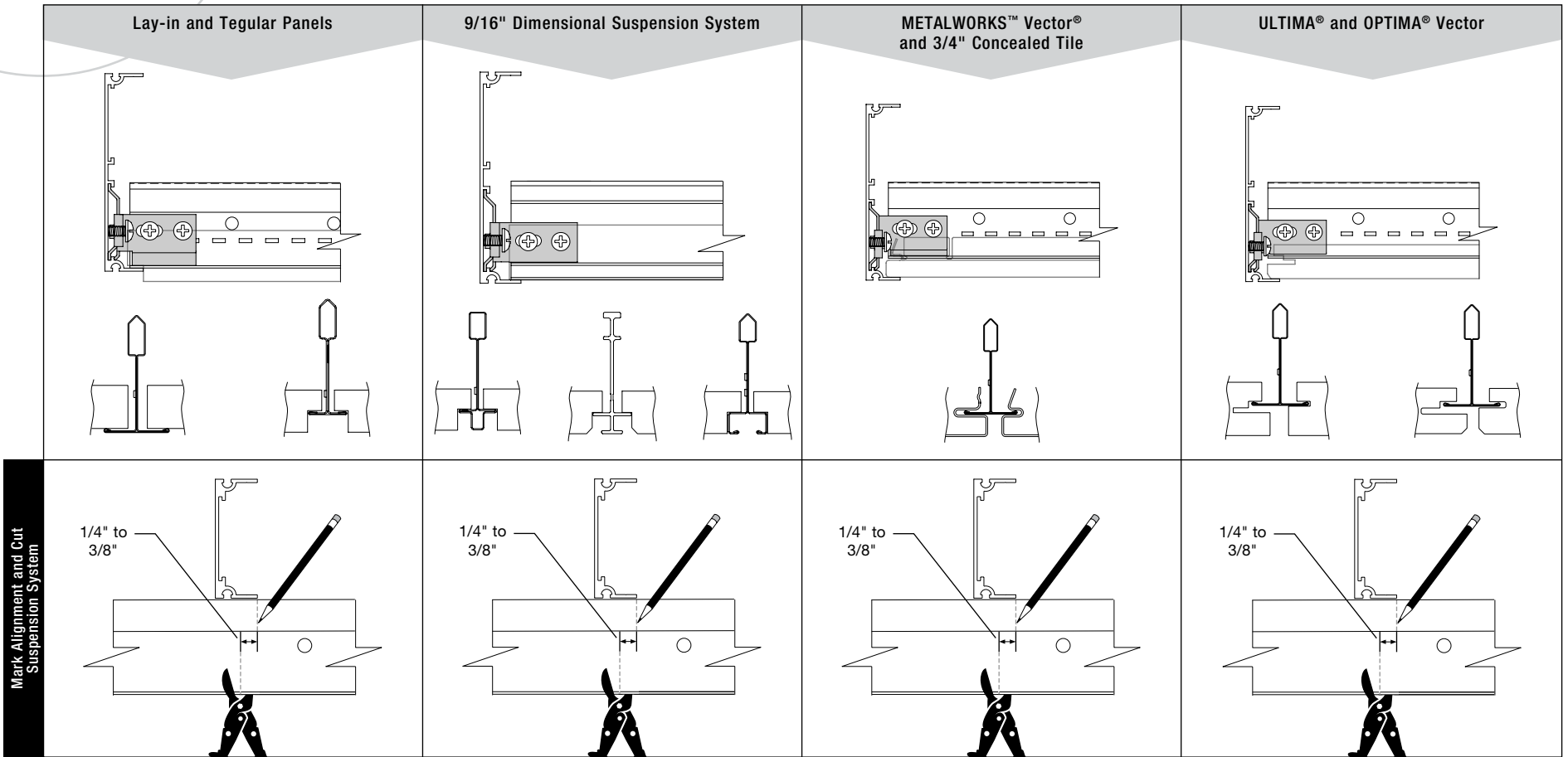


AXIOM® Classic Perimeter Trim Assembly



Inspiring Great Spaces™

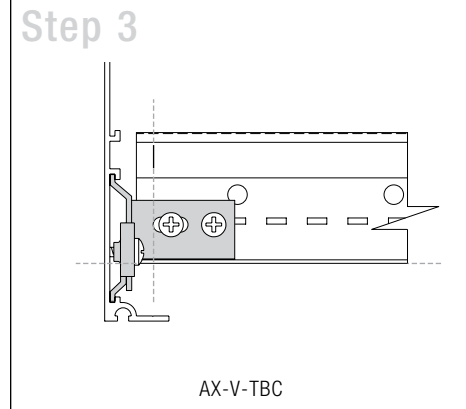
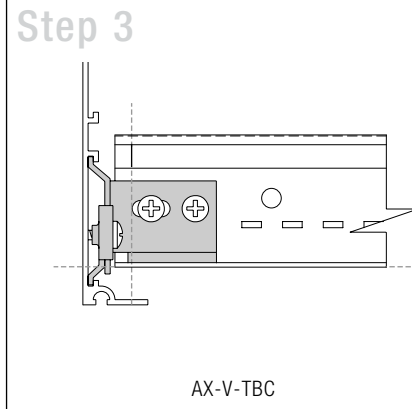
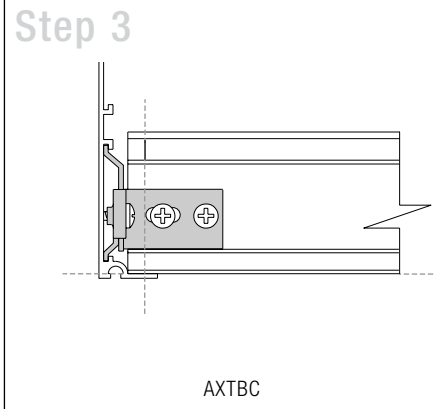
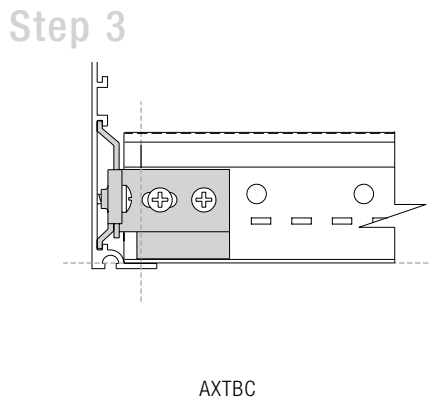
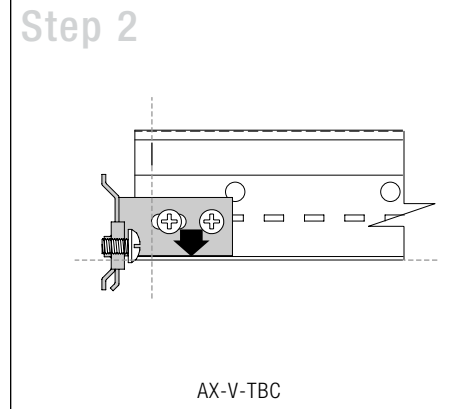
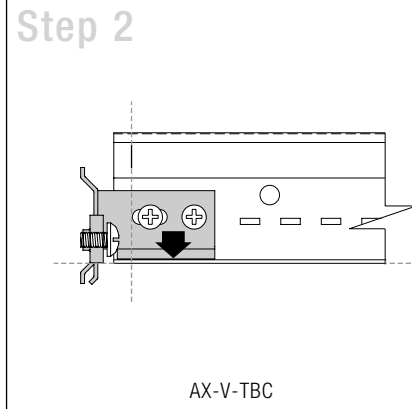
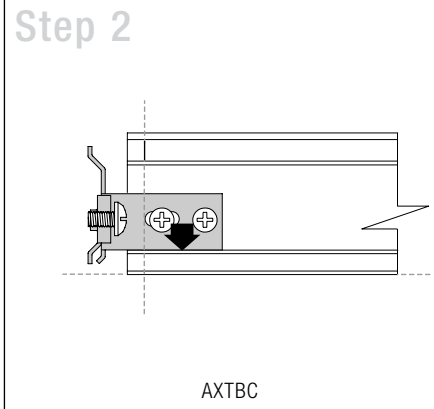
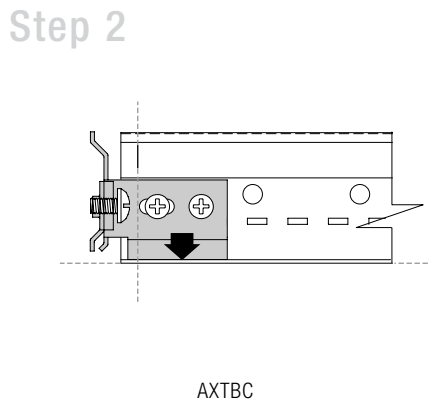
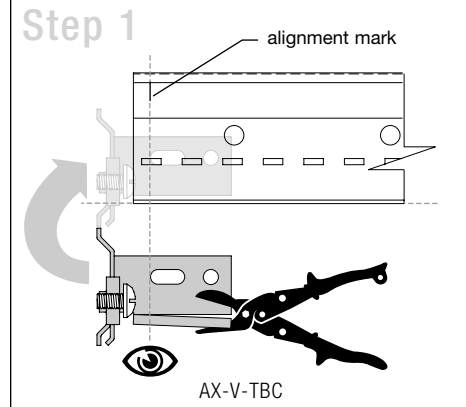
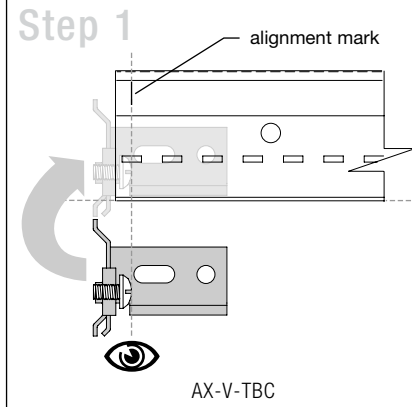
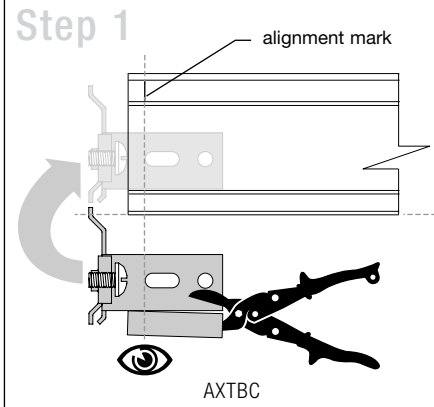
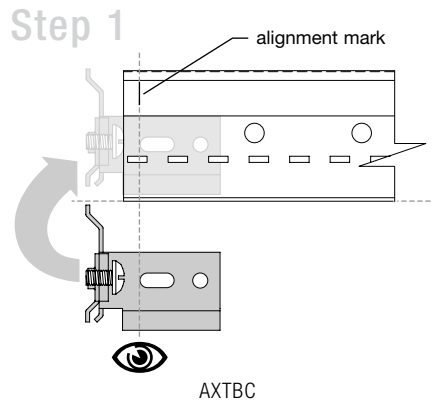


CEILING SYSTEMS

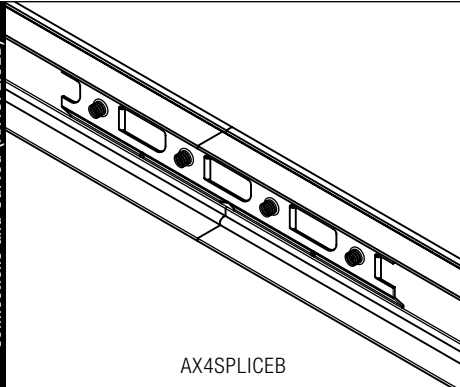
T-Bar Connector Clips
(AXTBC or AXV-TBC)

Rest Clip on Suspension System Flange
and Attach with Screws

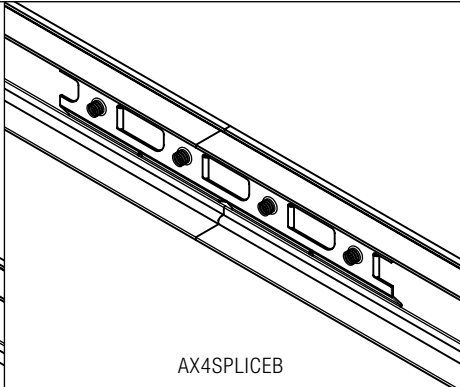
Place Clip into Trim Channel



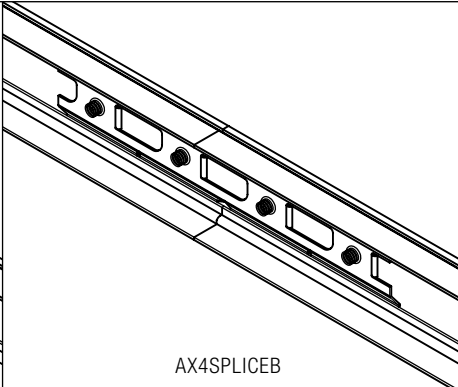
Splice Plate for Straight Connections and Curved (AX4SPLICEB)



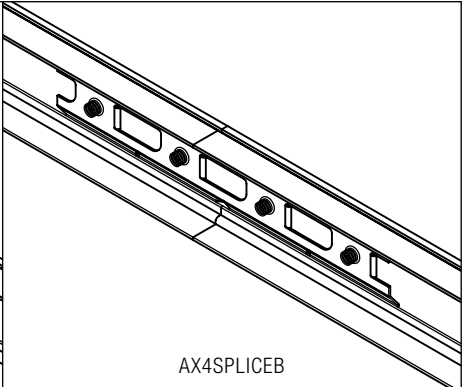
AX4SPLICEB



AX4SPLICEB

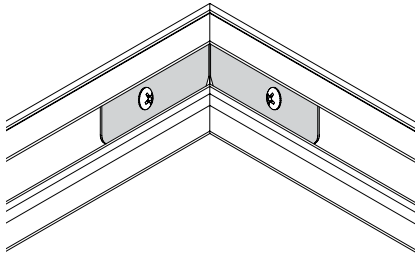


AX4SPLICEB

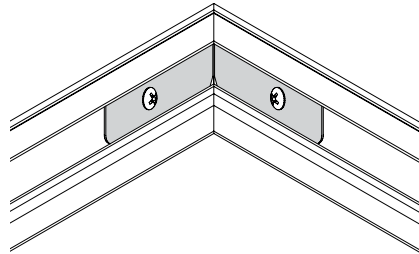


AX4SPLICEB

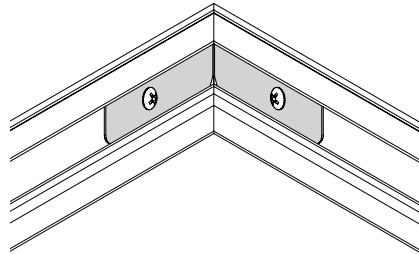
Splice Plate for Corner Connections Bend Plate to Desired Angle



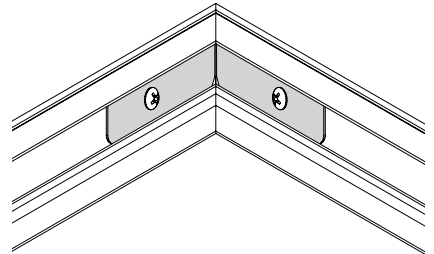
AXSPLICE



AXSPLICE

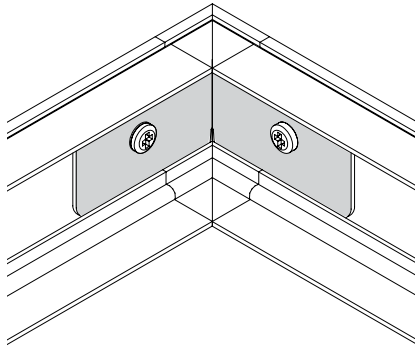


AXSPLICE

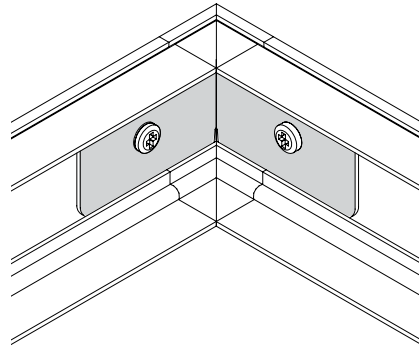


AXSPLICE

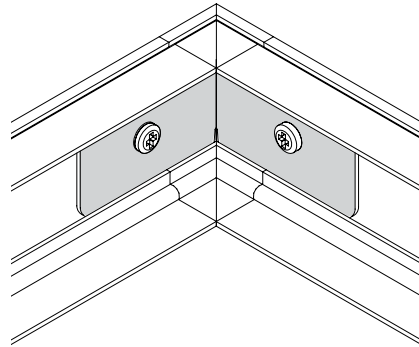
Factory Assembled Post for Outside Corners



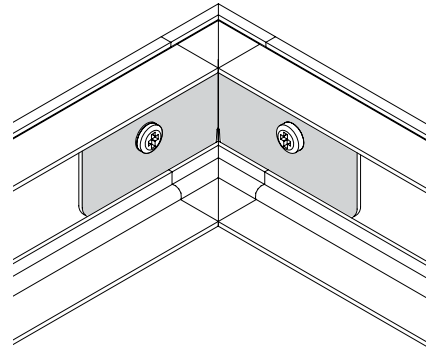
OUTSIDE CORNER POST



OUTSIDE CORNER POST



OUTSIDE CORNER POST



OUTSIDE CORNER POST

MORE INFORMATION

For more information, or for an Armstrong representative, call 1 877 ARMSTRONG.

For complete technical information, detail drawings, CAD design assistance, installation information, and many other technical services, call TechLineSM at 1 877 ARMSTRONG, and select options 1-1-4, or FAX 1 800 572 TECH.

For the latest product selection and specification data, visit armstrong.com/axiom.

All trademarks used herein are the property of AWI Licensing Company and/or its affiliates
© 2015 AWI Licensing Company • Printed in the United States of America

BPLA-295829-515

