

**QUIKSTIX™**  
Drywall Grid  
Locking Pocket Main Beams



**Declare.**

**LEED WELL™ LBC**  
UP TO **61%** RECYCLED CONTENT

energy management  
construction waste mgmt  
regional materials  
design for flexibility  
EPD  
recyclable/extended producer resp.  
biobased materials  
recycled content  
sourcing of raw materials  
material ingredient reporting  
low emitting materials  
lighting quality  
acoustics

LOCATION DEPENDENT

Calculate sustainability with Green Genie™  
armstrongceilings.com/greengenie



▲ QuikStix™ Drywall Ceiling System

Drywall suspension systems specifically engineered for faster, easier drywall installation...even for drywall spans of up to 8'6".

**KEY SELECTION ATTRIBUTES**

- QuikStix™ Locking Pocket Main Beams are part of the Sustain™ portfolio and meets the most stringent industry sustainability compliance standards today

**ShortSpan® Tees**

- Some components available in High Recycled Content (HRC); Total Recycled Content 61%, Post-consumer 53%, Pre-consumer 8%
- Non-HRC items have 30% recycled content
- 1-1/2" wide face exceeds the minimum industry standard
- **ScrewStop™** reverse hem prevents screw spin off
- Balanced profile stays flat during installation
- Rotary stitching on double web adds strength and stability
- Deep knurled surface for easy screw insertion
- G40, .018" metal thickness meets ASTM C645

**StrongBack™**

- Easy, pre-engineered solution to support spans over 6' or 8'-6" feet

**Locking Angle Molding**

- Pre-engineered locking tabs punched 8" on center:
  - Eliminate measuring 16" or 24"
  - Prevent lateral and upward movement
  - Eliminate screws, pop rivets, or crimpers needed to attach tees to molding
- Knurled surface on both flanges
- **ScrewStop** reverse hem prevents screw spin-off and provides safer handling
- 10-year limited warranty

**VISUAL SELECTION**

	Item No.	Description	Dimensions
QuikStix™ Locking Pocket Main Beams 1-1/2" Face Profile <i>(Red Numbers are Fire Guard™ Items)</i>	<b>QSLPM12</b> <b>QSLPM12G90</b>	12' Locking Pocket Main  (Locking Tabs 8" O.C.)	144 x 1-1/2 x 1-13/16"
ShortSpan® Cross Tees 1-1/2" Face Profile	<b>S7708P</b> <b>S7708PG90</b>	8' ShortSpan Tee	96 x 1-1/2 x 1-13/16"
	<b>S7710</b> <b>S7710G90</b>	10' ShortSpan Tee	120 x 1-1/2 x 1-13/16"
	<b>S7712P</b> <b>S7712PHRC</b> <b>S7712PG90</b>	12' ShortSpan Tee	144 x 1-1/2 x 1-13/16"
	<b>S7714P</b> <b>S7714PHRC</b> <b>S7714PG90</b>	14' ShortSpan Tee	168 x 1-1/2 x 1-13/16"
Locking Angle Mold 1-1/4" Face Profile	<b>LAM12</b>	12' Locking Angle Mold  (Locking tabs 8" O.C.)	144 x 1-1/4 x 1-1/4"
Accessories	<b>QSUTC</b>	QuikStix Upright Clip  (Pre-drilled Screw Holes)	1-3/4 x 4-1/2"

\* Simple Span L/240  
NOTE: All components are available with G90 hot dipped galvanized coating.  
Just add G90 suffix to end of item number.

**MAXIMUM LOAD (LBS./LIN. FT.)**

HANGER SPACING* LBS./LIN. FT.		
3 Ft.	4 Ft.	
47.3	22.37	
<b>5 Ft.</b>	<b>6 Ft.</b>	<b>8 Ft.</b>
14.18	10.49	4.43
14.18	10.49	4.43
14.18	10.49	4.43
14.18	10.49	4.43
N/A	N/A	N/A
N/A	N/A	N/A

**PACKAGING**

Lin. Ft./ Ctn.	Pcs./ Ctn.
144	12
96	12
120	12
144	12
168	12
240	20
N/A	150

**QUIKSTIX™**  
 Drywall Grid  
 Locking Pocket Main Beams



**Declare.**

**LEED WELL LBC**  
 UP TO **61% RECYCLED CONTENT**

energy management 6 construction waste mgmt 6 regional materials 6 design for flexibility  
 EPD  
 recyclable/producer resp.  
 biobased materials  
 recycled content  
 sourcing of raw materials  
 material ingredient reporting  
 low emitting materials  
 lighting quality  
 acoustics

Calculate sustainability with Green Genie™  
 armstrongceilings.com/greengenie

LOCATION DEPENDENT

**LOAD TEST DATA**

	Item No.	Web Height	HANGER SPACING UNIFORM LOAD AT L/240 (LBS/LF)							
			3 Ft.	4 Ft.	5 Ft.	6 Ft.	7 Ft.	7.5 Ft.	8 Ft.	8.5 Ft.
ShortSpan Cross Tees	S77**P	1-13/16"	N/A	31.76	14.18	10.49	5.84	5.54	4.43	3.37
QuikStix Locking Pocket Main	QSLPM12	1-1/2"	40.60	20.87	N/A	N/A	N/A	N/A	N/A	N/A
StrongBack Support Hanger	SB12P	2"	27.53	17.76	N/A	N/A	N/A	N/A	N/A	N/A

**MAXIMUM ALLOWABLE LOAD, LBS./SF @ L/240 DEFLECTION** (10'-14' spans require a mid-span support)

Item No.	O.C. Spacing	HANGER SPACING UNIFORM LOAD AT L/240 (LBS/LF)										
		4 Ft.	5 Ft.	6 Ft.	7 Ft.	7.5 Ft.	8 Ft.	8.5 Ft.	9 Ft.	10 Ft.	12 Ft.	14 Ft.
S77**P	8"	-	21.27	15.74	8.76	8.31	6.65	5.06	4.46	21.27	15.74	8.76
QSLPM12	16"	23.82	10.64	7.87	4.38	4.16	3.32	2.53	2.23	10.64	7.87	4.38
SB12P	24"	15.88	7.09	5.25	2.92	2.77	2.22	1.69	-	7.09	5.25	2.92

NOTE: 5/8" drywall weighs 2.4 lbs./SF (tees installed 8" or 16" or 24" O.C.)  
 1/2" drywall weighs 2.0 lbs/SF (tees installed 16" O.C., maximum)

# QUIKSTIX™

## Drywall Grid

### Locking Pocket Main Beams



Declare.

LEED WELL™ LBC

UP TO 61% RECYCLED CONTENT

- energy management
- construction waste mgmt
- regional materials
- design for flexibility
- EPD
- recyclable/extended producer resp.
- biobased materials
- recycled content
- sourcing of raw materials
- material ingredient reporting
- low emitting materials
- lighting quality
- acoustics

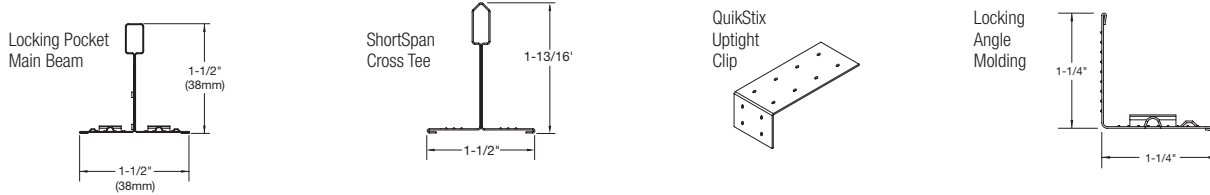
Calculate sustainability with Green Genie™  
armstrongceilings.com/greengenie

LOCATION DEPENDENT

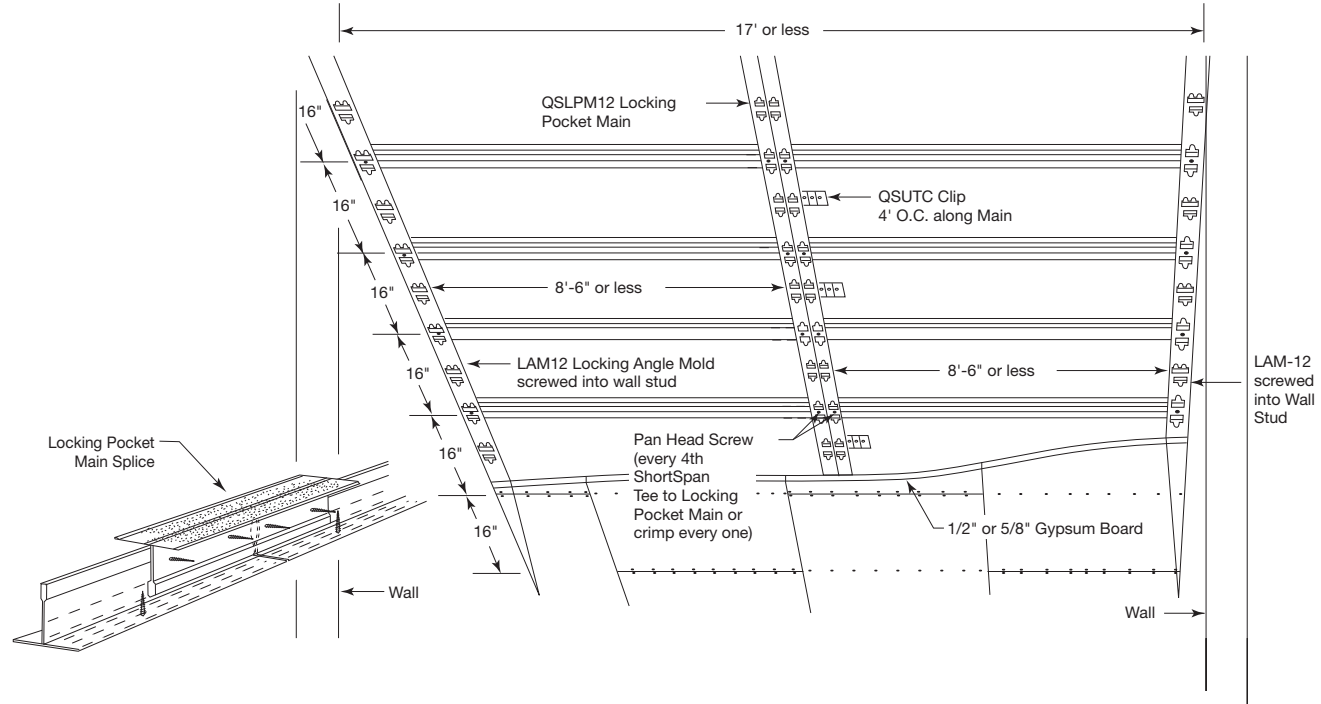
### INSTALLATION DETAILS

1. Vertical Supports to structure should be either QuikStix Uptight Clips or stiff legs using scrap metal. Wire is NOT recommended for hanging this system.
2. ShortSpan tees must be cut within 1/8" of vertical leg of the Locking Angle Moldings and Locking Pocket Mains.
3. To engage ShortSpan tees into Locking Pockets: insert right hand flange of tee into long pocket first and allow left flange to clear short pocket and rest flat. Slide tee to the left to engage in short pocket (audible click).

### DETAILS



### INSTALLATION NOTES



DRYWALL INSTALLATION SYSTEMS – Standard

# QUIKSTIX™

## Drywall Grid

### Locking Pocket Main Beams



**Declare.**

**LEED® WELL™ LBC**

UP TO **61% RECYCLED CONTENT**

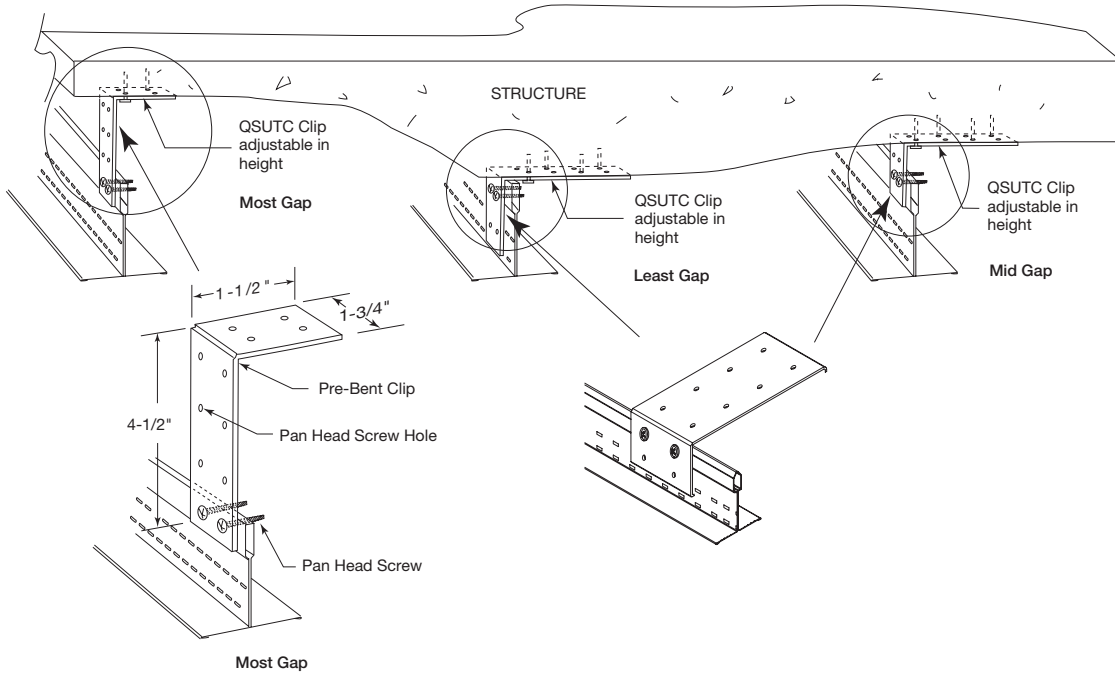
- energy management
- construction waste mgmt
- regional materials
- design for flexibility
- EPD
- recyclable/producer resp.
- biobased materials
- recycled content
- sourcing of raw materials
- material ingredient reporting
- low emitting materials
- lighting quality
- acoustics

Calculate sustainability with Green Genie™  
armstrongceilings.com/greengenie

LOCATION DEPENDENT

### INSTALLATION NOTES (continued)

(Uptight Clip (QSUTC): Saves time in tight plenum areas and is adjustable to uneven surfaces)



(Locking Pocket Mains Help With Corridor Transitions)

