

FRAMEALL™ Flat Drywall Grid

Flat Suspension System

drywall / stucco / plaster / AcoustiBuilt®



SUSTAIN™
High Performance
Sustainable
Ceiling Systems



▲ Drywall Grid suspension system

FrameAll™ Drywall Grid is 3x faster than traditional track and channel framing – saving you time and labor.

KEY SELECTION ATTRIBUTES

- Some components available in High Recycled Content (HRC): Total Recycled Content 61%, Post-consumer 53%, Pre-consumer 8%
- Non-HRC items have 30% recycled content
- **PeakForm®** patented profile increases strength and stability for improved performance during installation
- **XL®** (staked-on end detail) cross tees provide secure locked connection; fast and easy to install
- **SuperLock™** main beam clip is engineered for a strong, secure connection and fast, accurate alignment confirmed with an audible click; easy to remove and relocate
- **ScrewStop™** reverse hem prevents screw spin off on 1-1/2" wide face
- **Knurled Ridges** on cross tees improve screw grab during board application
- FrameAll Drywall Grid is part of the Sustain™ portfolio and meets the most stringent industry sustainability compliance standards today
- Rotary-stitched during manufacture by a patented method for additional torsional strength and extra stability during installation

- All drywall components minimum 0.018 steel thickness and minimum G40 hot dipped galvanized coating, per ASTM C645
- Wind uplift construction available
- Accommodates stud, track, hat channel, wood, or other supplemental framing
- Fire Guard™ components meet broad range of UL® design assemblies (XL7936G90 is not fire rated)
- 10-Year Limited System Warranty, 30-Year Limited Ceiling Systems Warranty
- G90 hot dipped galvanized coating is available for exterior applications (HD8906G90, XL8945PG90, XL8947PG90, XL8965G90, XL7936G90)
- HD8906IIC main beam accepts integral Impact Isolation Clips (IIC) to provide up to eight points of IIC improvement.
- Sourced and manufactured in the USA

TYPICAL APPLICATIONS

- Indoor/outdoor applications
- Soffits/special transitions
- High visibility areas
- Combination drywall and acoustical panel or tile ceilings
- Barrel vaults and domes
- Wet installations (stucco/plaster)

MATERIALS

ASTM C635 Heavy-duty main beam classification, ASTM A653 zinc-coated hot dipped galvanized steel. Exposed surfaces chemically cleaned, zinc-coated, and prefinished. Materials conform to the performance standard ASTM C645 (Standard Specification for Rigid Furring Channels for Screw Applications of Gypsum Board).

FIRE RESISTANCE RATING

Meets a broad range of UL design assemblies: D501, D502, G523, G524, G526, G527, G528, G529, I504, I512, I518, J502, L502, L508, L513, L515, L525, L526, L529, L564, P501, P506, P507, P508, P509, P510, P513, P514, P516 (XL7936G90 and SP135 are not fire rated).

NOTE: See UL Directory for details on specific designs.

VISUAL SELECTION

	Item No.	Height	Length
Drywall Main Beams – Imperial	HD8906	1-11/16"	144"
	HD8906HRC		
	HD8906G90		
	HD8906IIC		
	HD890610	1-11/16"	120"
	SP135 G90 Stucco	1-11/16"	135"
Drywall Main Beams – Metric	HD7940	43mm	3600mm
	7940G	43mm	3600mm

	Item No.	Height	Length
Drywall Cross Tees – Imperial	XL8965	1-1/2"	72"
	XL8965HRC		
	XL8965G90		
	XL8947P	1-1/2"	50"
	XL8947PG90		
	XL8945P	1-1/2"	48"
	XL8945PHRC		
	XL8945PG90		
	XL8940	1-1/2"	40"
	XL7936G90	1-1/2"	36"
	XL8926	1-1/2"	24"
	XL8926G90		
Drywall Cross Tees – Metric	XL7961	38mm	1600mm
	XL7930	38mm	1200mm
	XL7925	38mm	900mm
	XL7920	38mm	600mm

Red Numbers are Fire Guard items. For fire-rated assemblies, use Type C gypsum board as noted in the UL® fire-rated assembly designs.

NOTE: All load test data based on flat installation per ASTM C635.

† Type F fixture compatible

PACKAGING

Item No.	Lin. Ft./Ctn
HD8906	144
HD890610	120
SP135	135
HD7940	138.80
7940G	141.73
XL8965	216
XL8947P	150
XL8945P	144
XL8940	119
XL7936G90	108
XL8926	72
XL7961	188.90
XL7930	138.80
XL7925	108
XL7920	69.40

HANGER SPACING (LBS./LIN. FT.)					
L/240 2 Ft.	L/240 3 Ft.	L/240 4 Ft.	L/360 2 Ft.	L/360 3 Ft.	L/360 4 Ft.
143.0	57.3	28.14	95.5	43.19	18.66
143.0	57.3	28.14	95.5	43.19	18.66
139.85	52.59	28.71	N/A	43.19	18.66
150.0	68.3	29.34	100.0	45.35	19.56
150.0	68.3	29.34	100.0	45.35	19.56

LOAD TOTAL DATA (LBS./LIN. FT.)		LOAD TOTAL DATA (KG./LIN. M.)	
L/240	L/360	L/240	L/360
6.87 @ 6'	4.58 @ 6'	N/A	N/A
19.5 @ 50"	12.79 @ 50"	N/A	N/A
22.5 @ 4'	14.27 @ 4'	N/A	N/A
36.22 @ 40"	24.15 @ 40"	N/A	N/A
50.0 @ 3'	31.33 @ 3'	N/A	N/A
158.0 @ 2'	90.25 @ 2'	N/A	N/A
10.25 @ 6'	6.84 @ 6'	15.15 @ 1600mm	10.18 @ 1600mm
22.4 @ 4'	14.93 @ 4'	33.33 @ 1200mm	22.22 @ 1200mm
51.92 @ 3'	34.61 @ 3'	77.26 @ 900mm	51.51 @ 900mm
114.59 @ 2'	76.39 @ 2'	170.52 @ 600mm	113.68 @ 600mm

ASTM Class
HD - Heavy-duty
ID - Intermediate-duty
LD - Light-duty

TechLine 877 276-7876

armstrongceilings.com/drywall



DRYWALL INSTALLATION SYSTEMS – Standard

FRAMEALL™ Drywall Grid

Flat Drywall Suspension System
drywall / stucco / plaster



Declare.

LEED® WELL™ LBC

UP TO **61%** RECYCLED CONTENT

- energy management
- construction waste mgmt
- regional materials
- design for flexibility

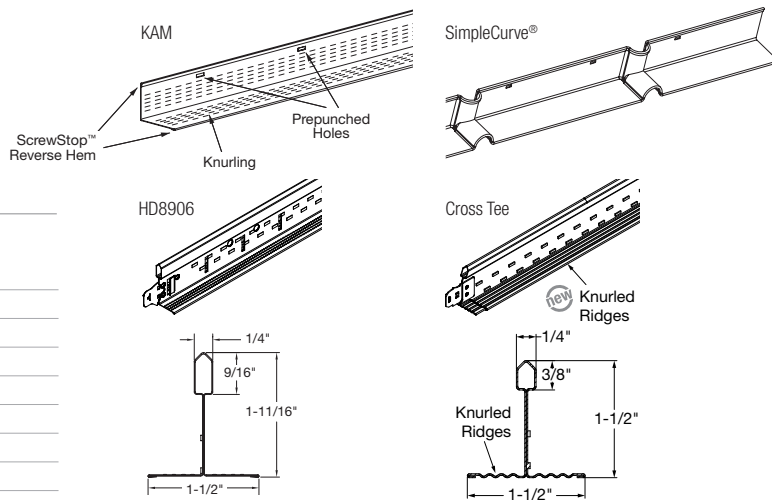
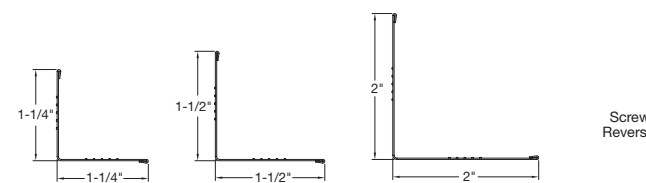
Calculate sustainability with Green Genie™
armstrongceilings.com/greengenie

LOCATION DEPENDENT

VISUAL SELECTION

	Item No.	Height	Length	Metal Thickness
	7858	15/16"	144"	0.018"
	LAM12	1-1/4"	144"	0.018"
	LAM12HRC	1-1/4"	144"	0.018"
	LAM151220E	1-1/2"	144"	0.028"
	KAM10	1-1/4"	120"	0.018"
	KAM12	1-1/4"	144"	0.018"
	KAM12G90	1-1/4"	144"	0.018"
	KAM1510	1-1/2"	120"	0.018"
	KAM1512	1-1/2"	144"	0.018"
	KAM151020E	1-1/2"	120"	0.028"
	KAM151220E	1-1/2"	144"	0.028"
	KAM151020	1-1/2"	120"	0.033"
	KAM1525G90	1-1/2"	120"	0.018"
	KAM1520G90	1-1/2"	120"	0.128"
	KAM21025	2"	144"	0.018"
	KAM21020EQ	2"	120"	0.028"
	KAM21020	2"	120"	0.033"
		SC151220EQ (37" Radius)	1-1/2"	148"
SC151225 (32" Radius)		1-1/2"	148"	0.018"
SC21220EQ (55" Radius)		2"	148"	0.028"
SC21225 (40" Radius)		2"	148"	0.018"

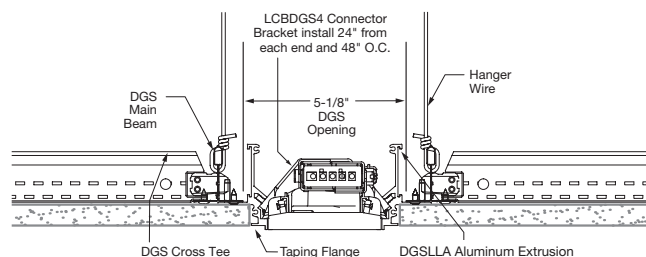
NOTE: .018" metal thickness meets ASTM C645 for framing



DRYWALL LINEAR LIGHTING

Item No.	Description	Fixture Length
DGSLLTk24	2' Linear Light Trim Kit	24" x 4"
DGSLLTk30	2' – 6" Linear Light Trim Kit	30" x 4"
DGSLLTk48	4' Linear Light Trim Kit	48" x 4"
DGSLLTk60	5' Linear Light Trim Kit	60" x 4"
DGSLLTk72	6' Linear Light Trim Kit	72" x 4"
DGSLLTk90	7' – 6" Linear Light Trim Kit	90" x 4"
DGSLLTk96	8' Linear Light Trim Kit	96" x 4"
DGSLLTk120	10' Linear Light Trim Kit	120" x 4"
DGSLLTkCON	10' Continuous Linear Light Trim Kit	10'

NOTE: Linear Light Trim Kits designed to work with 5/8" drywall



SEISMIC PERFORMANCE

Main Beams	Minimum Lbs. To Pull Out Compression/Tension
HD8906/HD890610 / HD8906HRC	332.3
HD8906IIC	332.3
XL8926, XL7936G90, XL8945PHRC, XL8945P, XL8947P, XL8965HRC	380.1

ICC REPORTS

For areas under ICC jurisdiction, see ICC evaluation report number ESR-1289 for allowable values and/or conditions of use concerning the suspension system components listed on this page. The report is subject to reexamination, revisions, and possible cancellation.

For fixture weight and UL listings, see Drywall Grid Systems for Flat Applications Technical Guide BPCS-3539.