



Rise Up  
**DETAILS**  
Make the Difference  
High Rise Residential  
Seismic Edition

Inspiring Great Spaces®

**Armstrong**  
CEILING & WALL SOLUTIONS

DETAILS  
– make the –  
DIFFERENCE

# Improve finished aesthetics with PRE-ENGINEERED Solutions

High-rise residential design demands a wide range of ceiling performance attributes – from the exterior and lobbies to exercise rooms and residential units.

Armstrong Ceiling Solutions provides the broadest portfolio in the industry, backed by decades of design and installation expertise.

Our pre-engineered integrated solutions are tested for maximum performance and efficiency from one end of the building to the other.

It's this unprecedented attention to detail that delivers peace of mind and the highest-quality finish.



4  
WINDOW &  
SHADE POCKETS



6  
TRIMS &  
TRANSITIONS



11  
LIGHT COVES



14  
SOFFITS &  
BULKHEADS



19  
FLAT & CURVED  
DRYWALL



21  
INTERIOR GLASS  
PARTITIONS



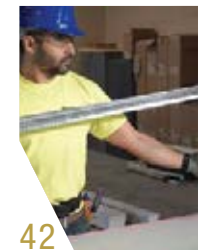
23  
CORRIDORS



25  
CLIPS,  
ACCESSORIES,  
TECTUM® &  
LAYOUTS



32  
WOOD, METAL  
& VERTICAL  
ELEMENTS



42  
INTEGRATION &  
CEILING EXPERTISE





# DESIGN & INSTALL WITH CONFIDENCE

Rise up with the largest portfolio of tested ceiling systems in the industry. Solutions that enable you to design and install with confidence. Solutions that make life better for living, working, and playing.



## **FIRE**

Over 500 ceiling systems with Class A Fire performance.



## **WIND**

Tested for exterior applications, stronger and easier to install.



## **SEISMIC**

Over 400 ceiling solutions with seismic tested performance.



## **ACOUSTICS**

Industry leader in Total Acoustics® solutions for every space.



## **SUSTAINABILITY**

Meet today's most stringent industry sustainability standards with the Sustain® portfolio.

## TOTAL CEILING SOLUTIONS



**BROADEST PORTFOLIO**



**VERSATILE DESIGN**



**SYSTEM INTEGRATION**



**CEILING CONSTRUCTION EXPERTISE**

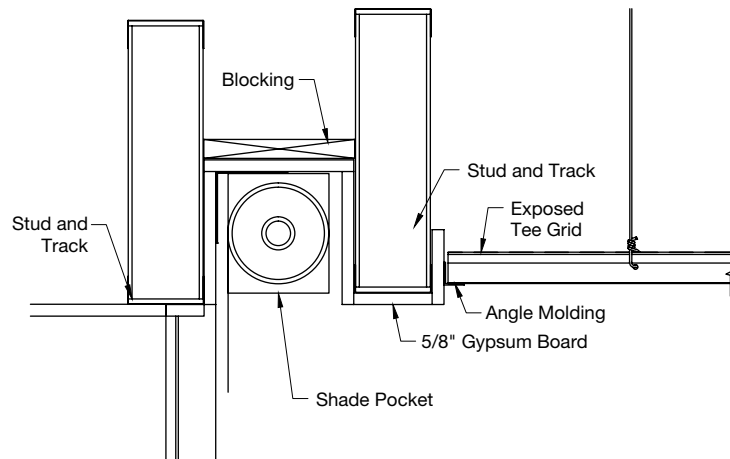


Axiom® Building  
Perimeter Shade Pocket

# AXIOM® BUILDING PERIMETER SHADE POCKETS

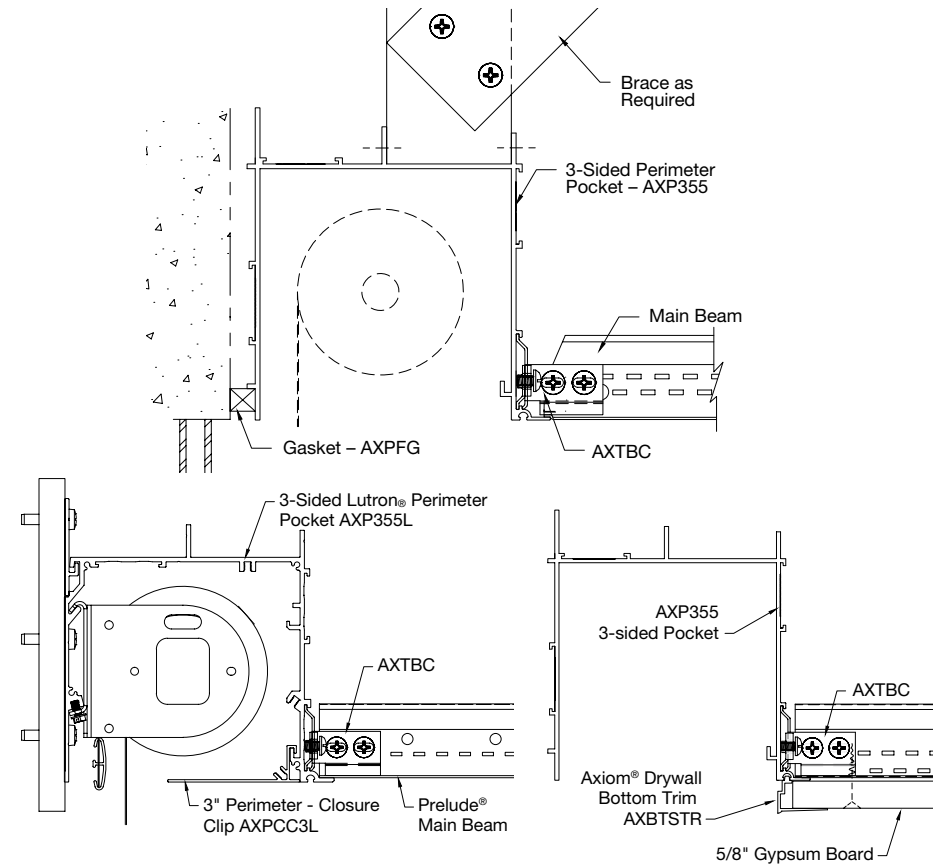
Installs 12 times faster than drywall pockets and twice as fast as traditional pockets

## Traditional Shade Pocket



## Armstrong Ceilings

## Axiom Building Perimeter Shade Pockets



## Benefits

- Achieve quality control at the perimeter, reduce time required to detail and specify the integration of perimeter solutions
- Works with drywall and acoustical suspension systems like no other pocket for perfect fit and finish
- Integrates drapery pockets, window shades, air distribution, and changes in ceiling elevation
- Variety of options for manual, motorized, and pocketless applications at the perimeter





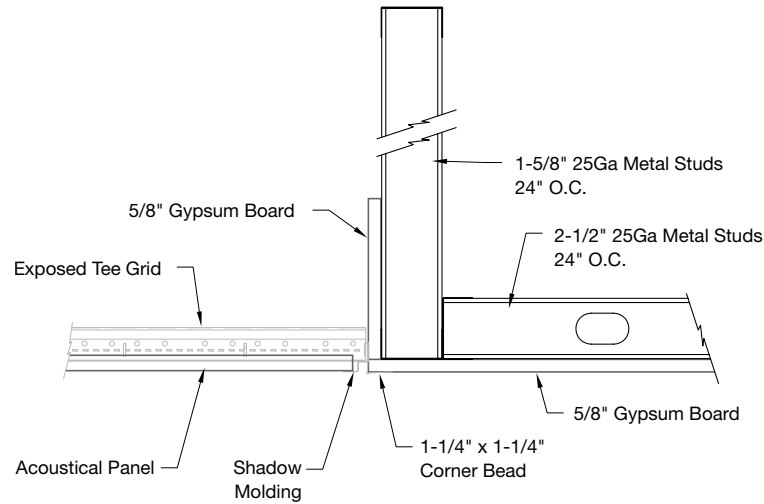


Acoustical-to-Drywall  
Transition Molding

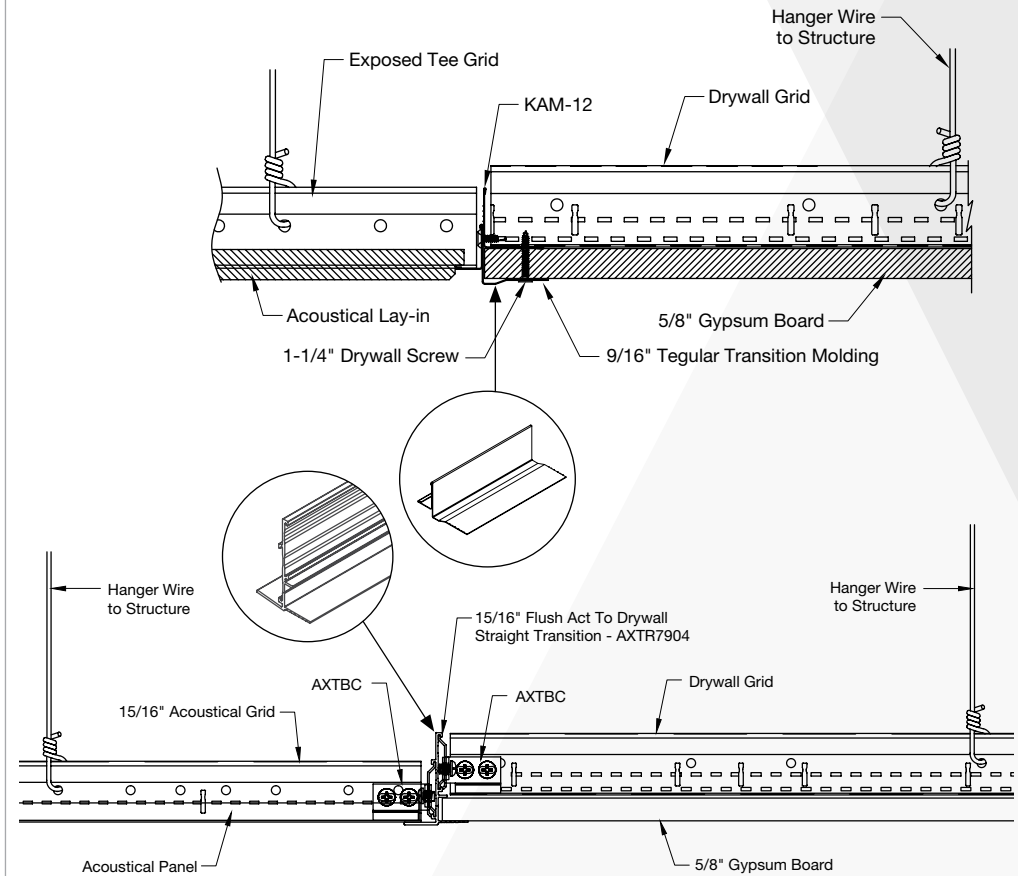
# FLUSH TRANSITION

Cut weeks off the schedule – eliminate vertical framing to structure and reduce trade coordination.

## Traditional Flush Transition



## Armstrong Ceilings Flush Transition



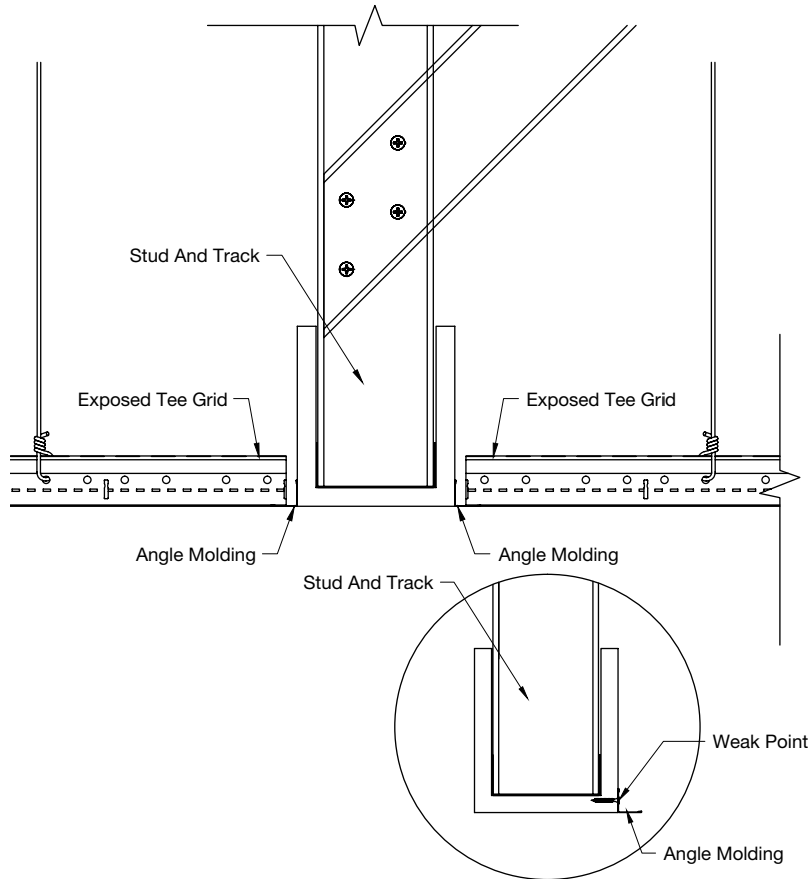
## Benefits

- Extruded aluminum trim provides more crisp edge detailing compared to conventional roll-formed steel systems
- Accommodates acoustical-to-acoustical, acoustical-to-drywall, drywall-to-drywall, and drywall-to-acoustical
- Available in extruded aluminum and stainless steel transition options. Extruded Aluminum can be straight or curved

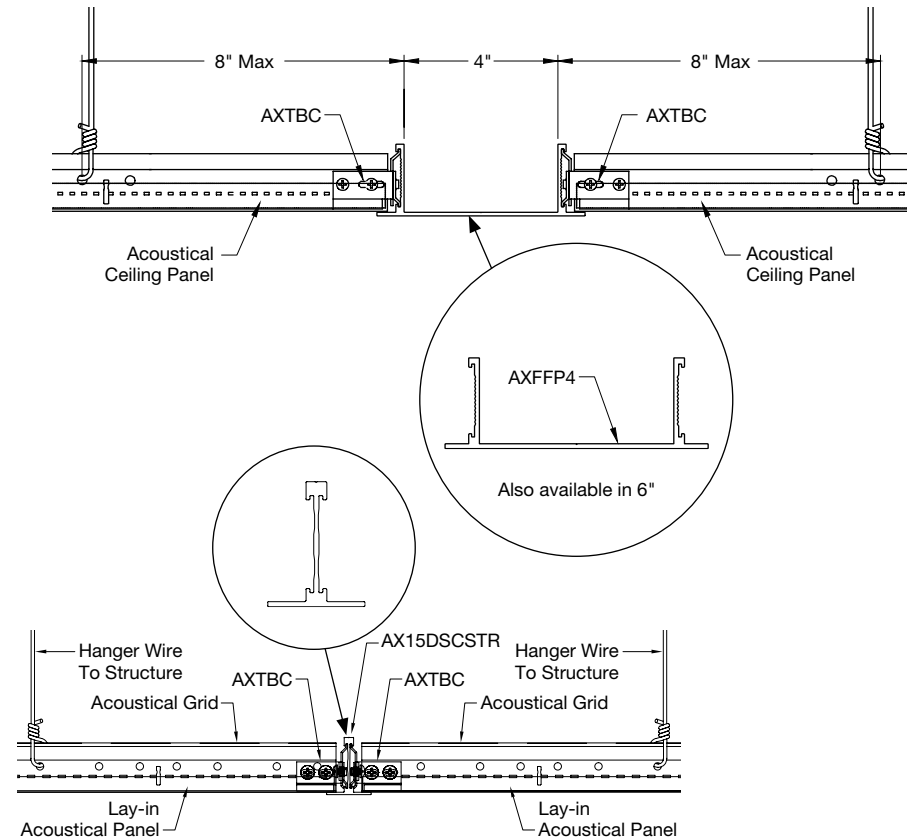
# FIELD TRANSITION

Cut weeks off the schedule – eliminate vertical framing to structure and reduce trade coordination.

## Traditional Field Transition



## Armstrong Ceilings Field Transition



## Benefits

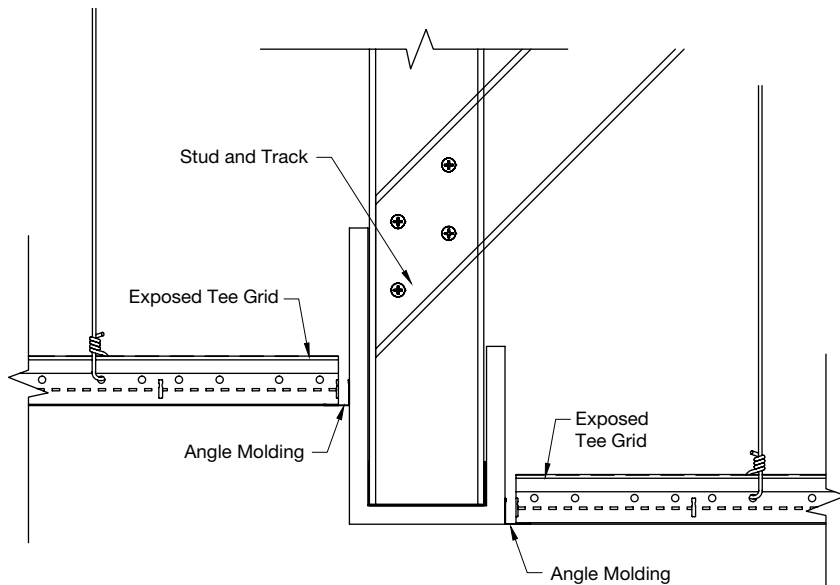
- Used to transition between intersecting ceiling systems or to transition between two different types of ceilings
- Available in 1-1/2", 4", or 6" (1-1/2" used to change direction in hallways/corridors)
- Transition from acoustical to acoustical without dropping a stud
- Acoustical-to-acoustical transitions only



# STRAIGHT OR CURVED TRANSITIONS (1" TO 10" ELEVATION CHANGE)

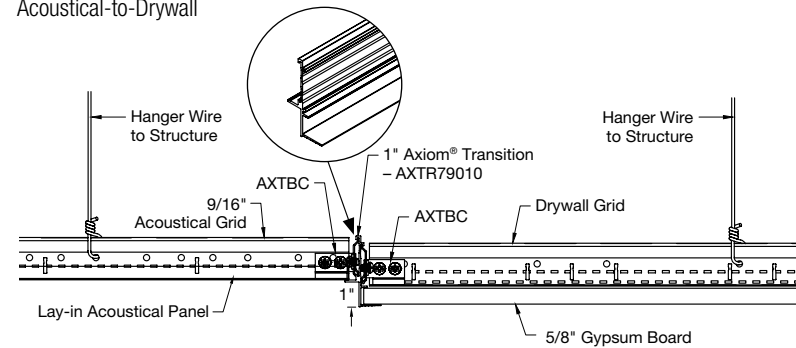
Cut weeks off the schedule – eliminate vertical framing to structure and reduce trade coordination.

## Traditional Transition (Elevation Change)

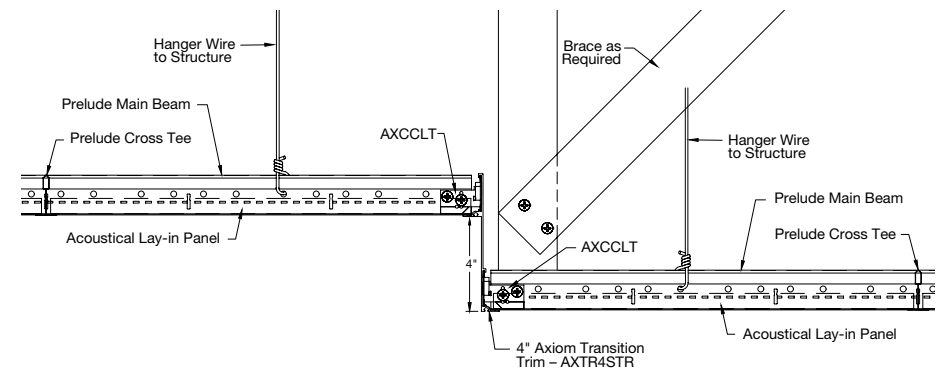


## Armstrong Ceilings Straight or Curved Transitions (1" to 10" Elevation Change)

### Acoustical-to-Drywall

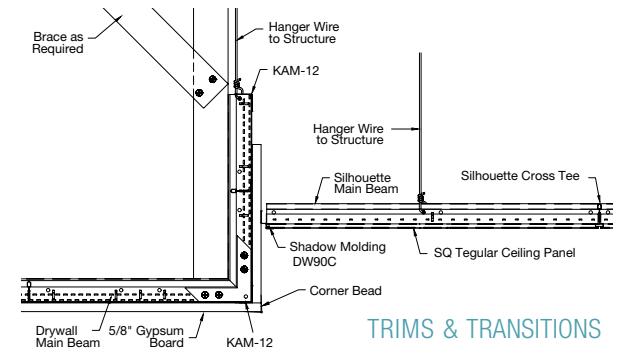
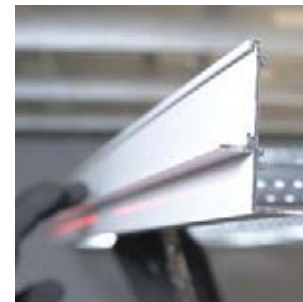


### Acoustical-to-Acoustical



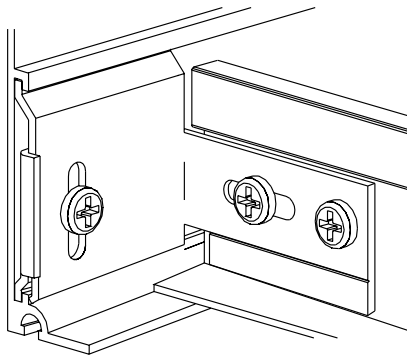
## Benefits

- Create a smooth transition between drywall and suspended ceilings (mineral fiber, metal, or wood)
- Elevation change accommodates acoustical-to-acoustical, acoustical to-drywall, drywall-to-acoustical, drywall-to-drywall height transitions of 1", 2", 4", 6", 8", and 10"
- Axiom® Vector® is available straight only for use with full size Vector panels (field cutting Vector panels can be avoided)



## AXIOM® CLASSIC TRIM

This extruded aluminum perimeter trim is a solution for use as exposed custom decorative trim with suspended panels or drywall.

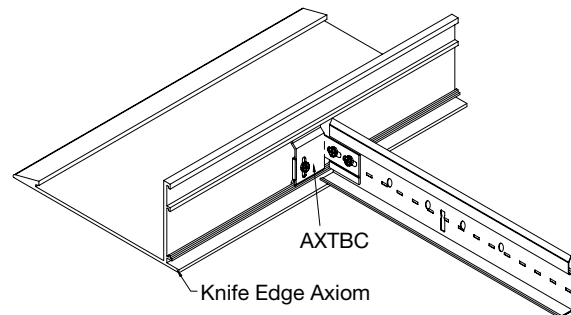


### Benefits

- Eight profile heights
- Colors coordinate with Armstrong® ceiling and suspension systems, Colorations® colors; custom colors available
- Design flexibility for straight and curved applications

## AXIOM® KNIFE EDGE® TRIM

This trim is a unique, refined trim alternative compared to traditional, 90-degree vertical trims.

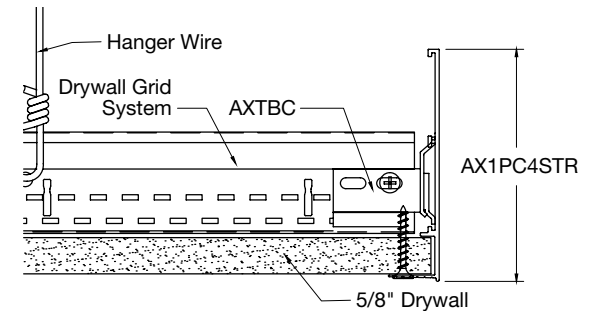


### Benefits

- Unique profile provides a refined alternative
- Two profiles available:
  - Axiom® Knife Edge® for traditional acoustical lay-in/ Tegular panels & drywall
  - Axiom Knife Edge for Vector® to work with the unique Vector edge

## AXIOM® DRYWALL TRIM

This pre-engineered vertical trim solution for 5/8" drywall eliminates vertical framing and provides architectural detail.



### Benefits

- Integrated and pre-punched tapping flange for drywall attachment
- Available in white, standard colors, and unfinished for field painting
- Straight and curved options available



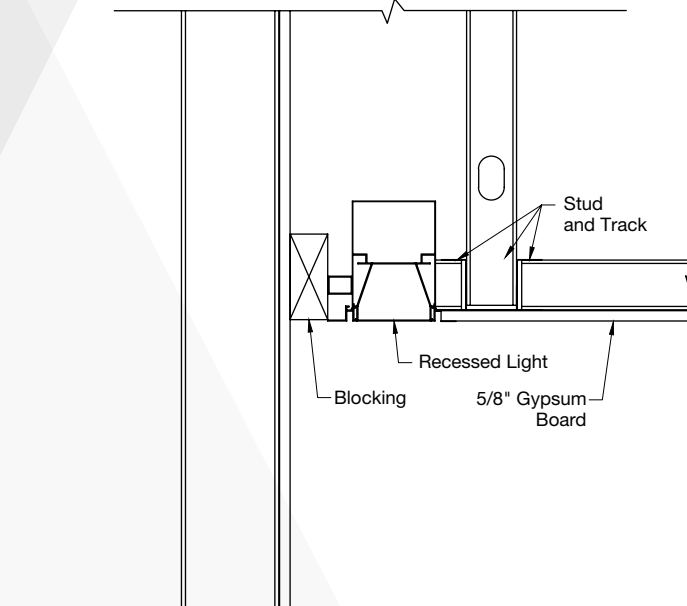
Axiom® Direct & Indirect  
Light Covers



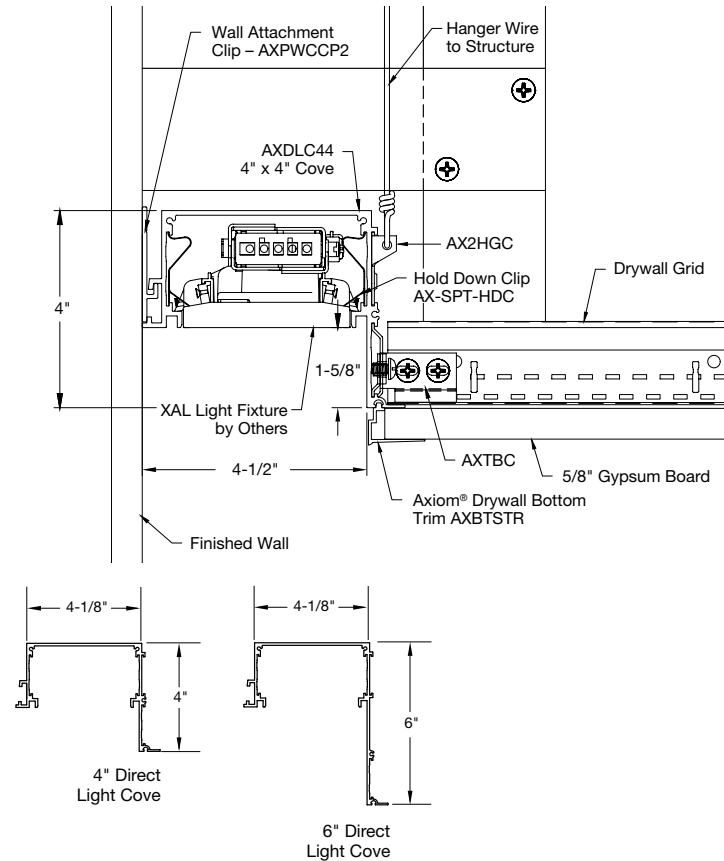
# AXIOM® DIRECT LIGHT COVES

Installs 90% faster with just 10% of the labor of traditional light covers.

## Traditional Direct Light Cove



## Armstrong Ceilings Axiom® Direct Light Coves



## Benefits

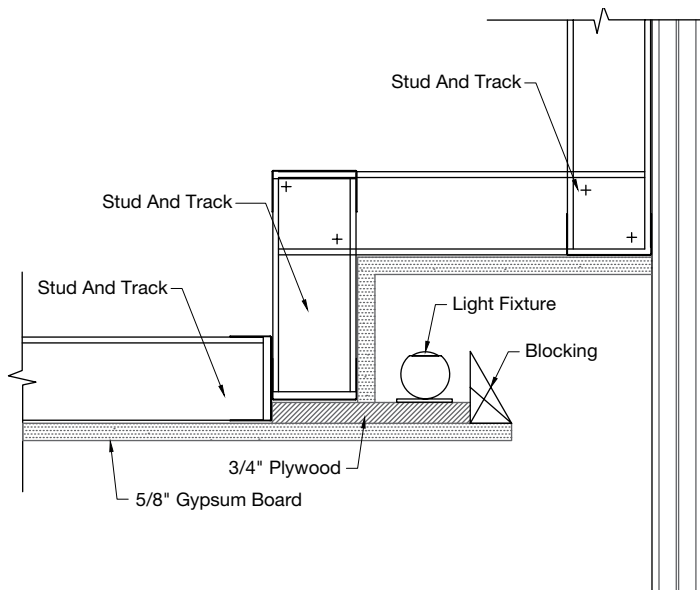
- Low profile design with plug and play lighting for shallow plenum corridors or entryways
- 4" x 4" and 4" x 6" Direct Light Cove options available
- Integrated lighting partner makes the complete solution easy to specify and maintain lighting symmetry
- 10 finished feet installed in one step – just add lights



# AXIOM® INDIRECT LIGHT COVES & INDIRECT FIELD LIGHT COVES

Installs 90% faster with just 10% of the labor of traditional light covers.

## Traditional Indirect Light Cove

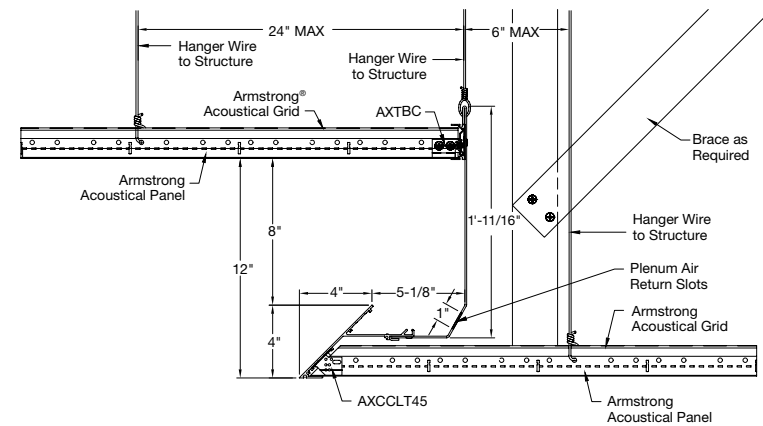


## Benefits

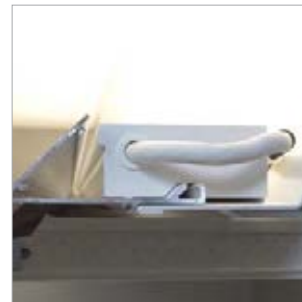
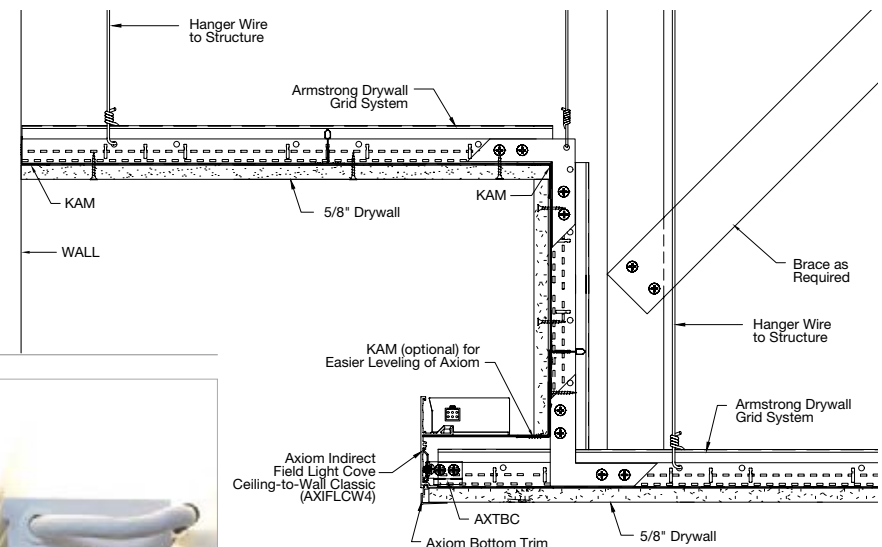
- Offer predictable lighting performance and perfect integration with all Armstrong® suspension systems
- Variety of options with both Ceiling-to-Wall and Ceiling-to-Ceiling light coves and sizes
- New Knife Edge® profile brings acoustical tile out to the edge of the cove
- 10 finished feet installed in one step – just add lights

## Armstrong Ceilings Axiom® Indirect Light Coves & Indirect Field Light Coves

### Ceiling-to-Ceiling Indirect Light Cove Knife Edge®, Slotted



### Ceiling-to-Wall Indirect Field Light Cove, Classic





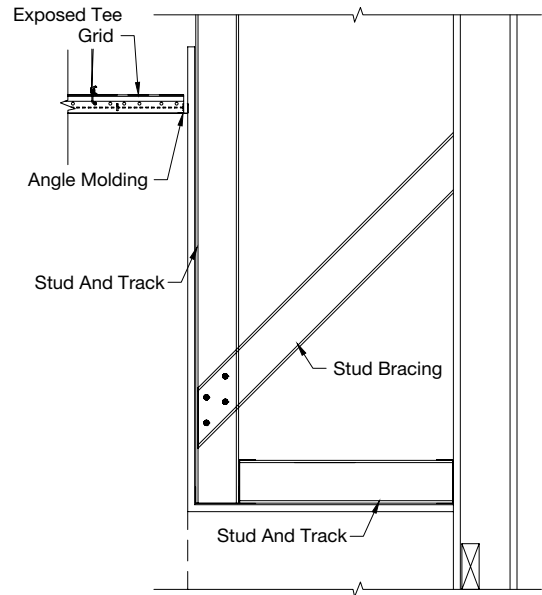
Drywall Grid System



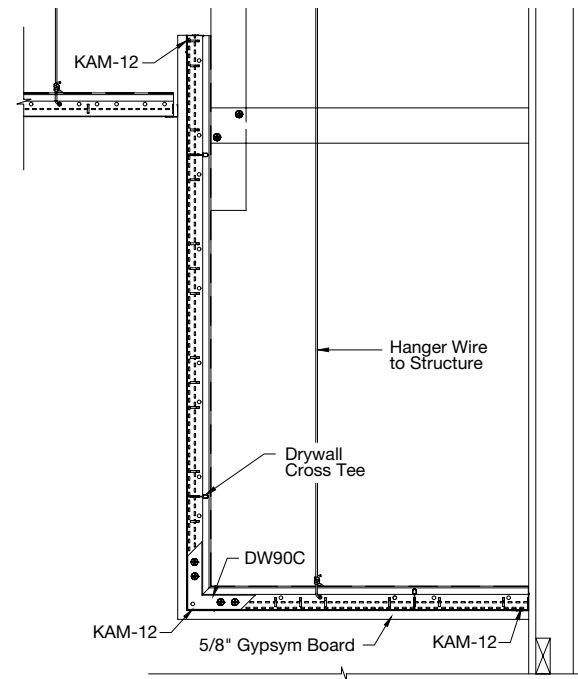
# 90° SOFFIT

Maximize efficiency with off-site modularization – route holes and knockouts at 6" and 8" centers reduce measuring/cutting time.

## Traditional 90° Soffit



## Armstrong Ceilings 90° Soffit (Drywall Grid System)



## Benefits

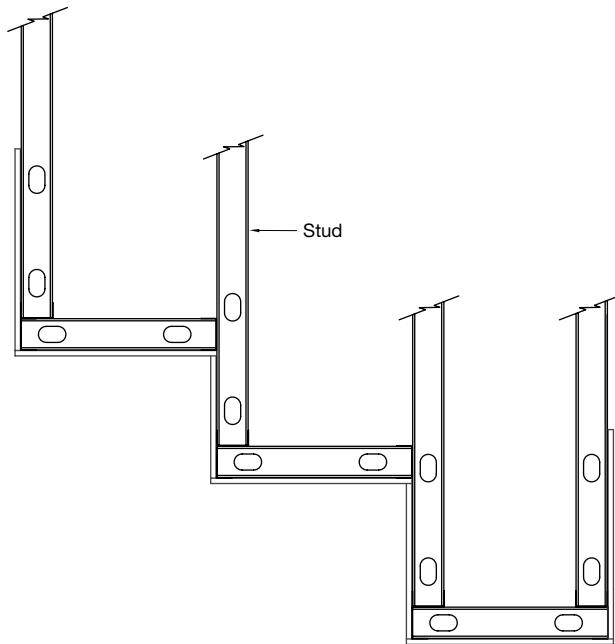
- QuikStix™ Soffit Drywall Framing System guarantees a perfectly crafted 15, 30, 45, 60, or 90-degree angle every time
- Reduce the risk of on-site solutions because fit and finish is controlled and reliable
- Engineered to give you design control, while providing a green installation by reducing steel up to 15%



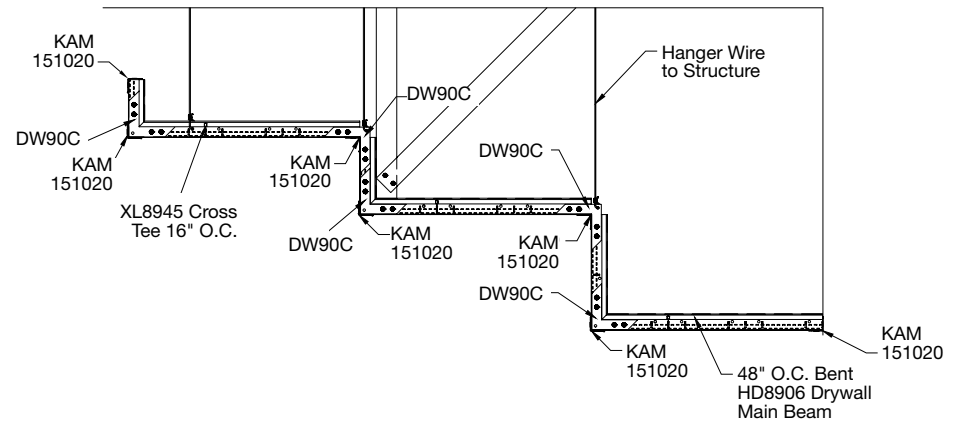
# STEP SOFFIT

Maximize efficiency with off-site modularization – route holes and knockouts at 6" and 8" centers reduce measuring/cutting time.

## Traditional Step Soffit



## Armstrong Ceilings Step Soffit



## Benefits

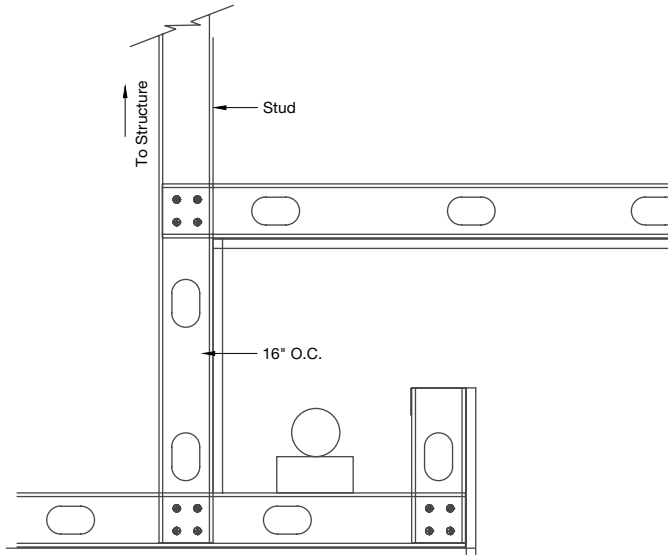
- Forms perfect 30°, 45°, 60°, 75° and 90° angles
- Flattened bulb is offset to allow true angles without interference
- Systems are tested for fit and finish and engineered to be code compliant



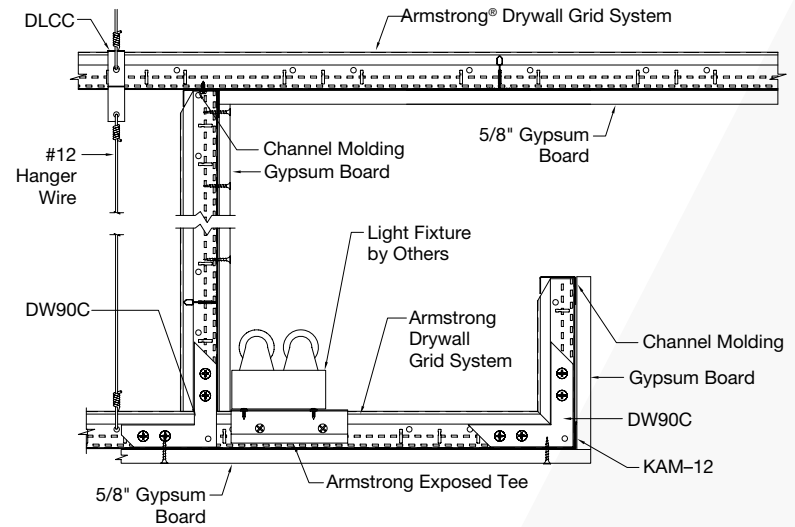
# DRYWALL LIGHT COVE

Maximize efficiency with off-site modularization – route holes and knockouts at 6" and 8" centers reduce measuring/cutting time.

## Traditional Drywall Light Cove



## Armstrong Ceilings Drywall Light Cove



## Benefits

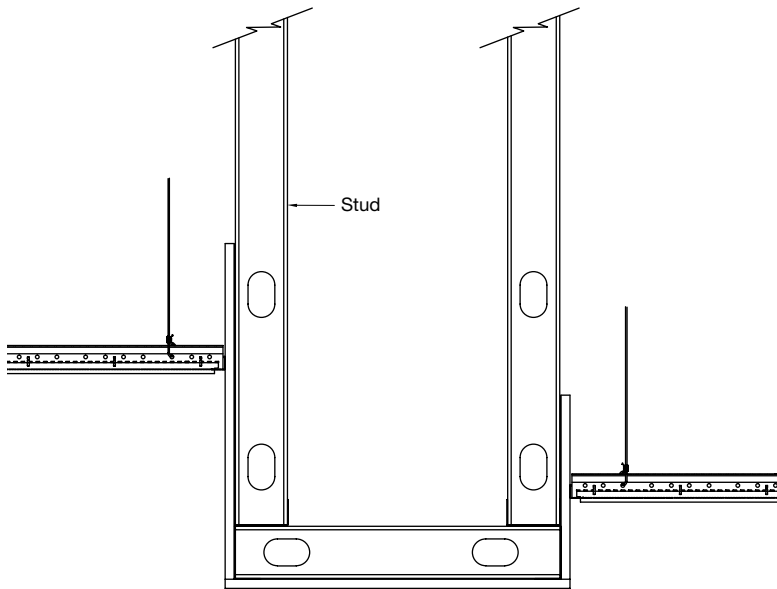
- Drywall grid is manufactured with additional rout locations to accommodate F-Type light fixtures, access panels, and air diffusers
- Systems are tested for fit and finish and engineered to be code compliant
- Engineered to give you design control, while providing a green installation by reducing steel up to 15%



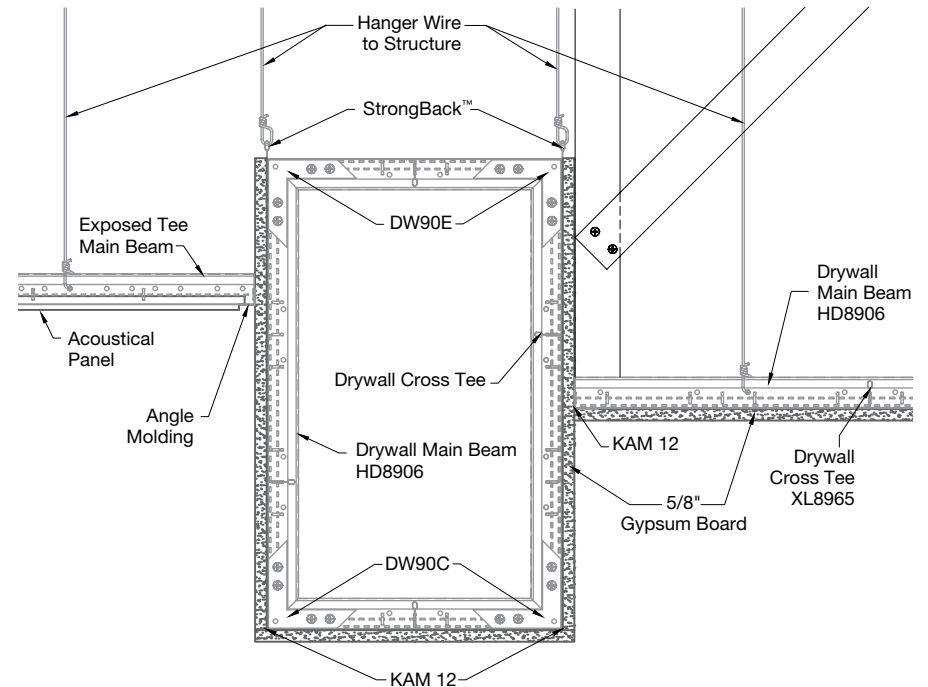
# BULKHEAD/FURRDOWN

Maximize efficiency with off-site modularization – route holes and knockouts at 6" and 8" centers reduce measuring/cutting time.

## Traditional Bulkhead/Furrdown



## Armstrong Ceilings Bulkhead/Furrdown



## Benefits

- Forms perfect 30°, 45°, 60°, 75°, and 90° angles
- Flattened bulb is offset to allow true angles without interference
- Reduce risk of on-site solutions because fit and finish is controlled and reliable
- Engineered to give you design control

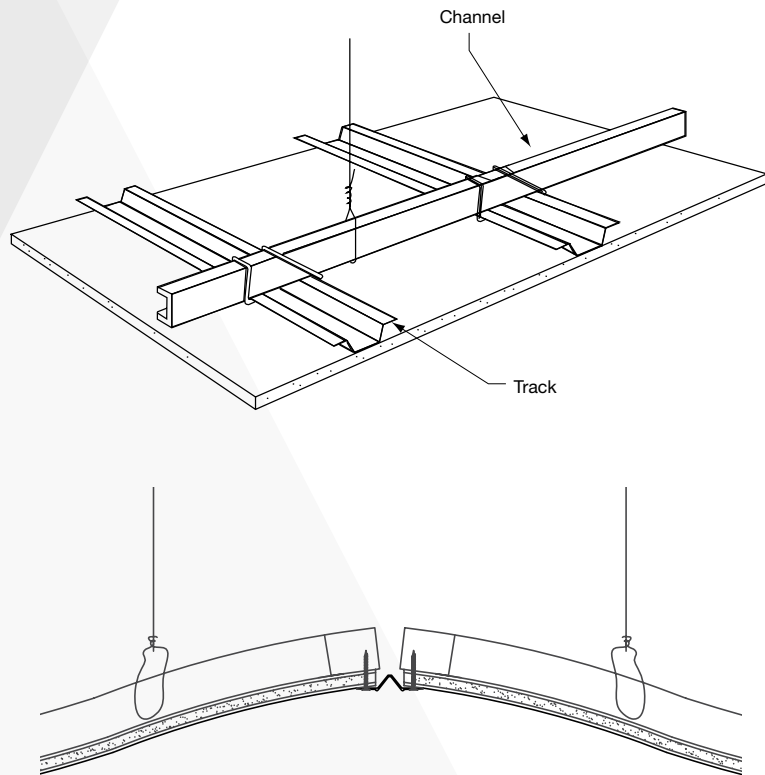


Drywall Grid System  
Faceted with RC2 Clips

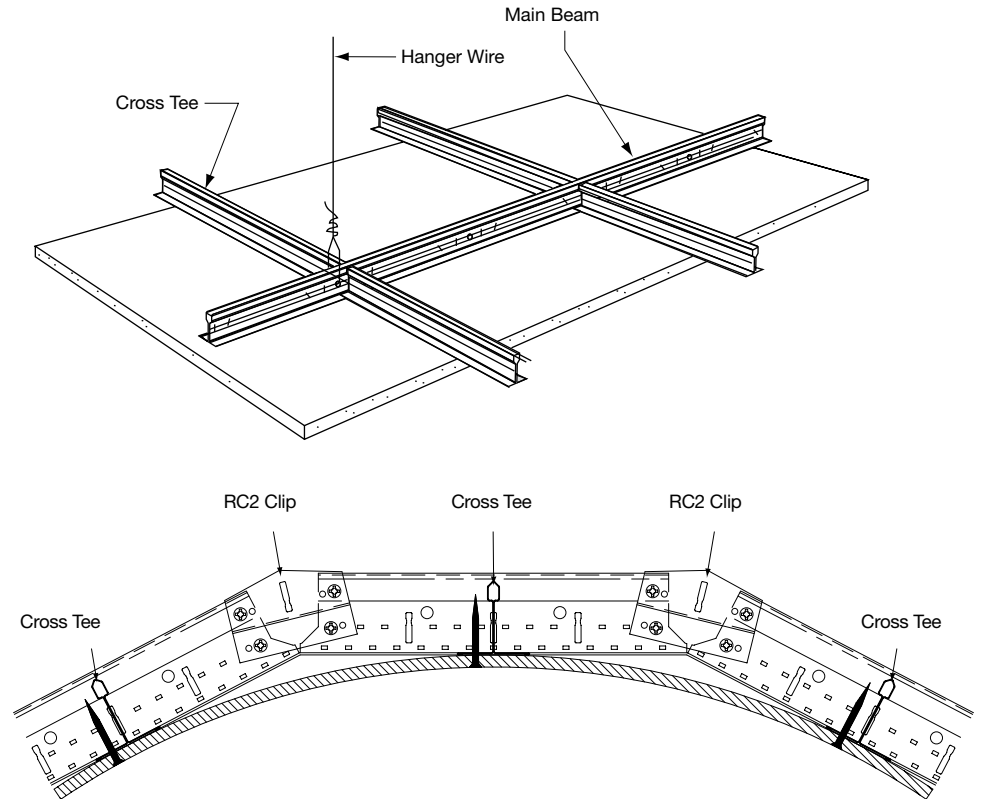
# DRYWALL GRID SYSTEM FOR FLAT AND CURVED DRYWALL

3 times faster to install than traditional track and channel framing.

## Traditional Flat Drywall



## Armstrong Ceilings Drywall Grid System for Flat and Curved Drywall



## Benefits

- Ultimate control of the curve – expand your design beyond traditional pre-selected or pre-determined radii
- Simplify the design of corridors, small room configurations, restrooms, and storage closets
- Engineered to use less steel than traditional drywall ceiling framing methods
- Create custom radii to suit any design by combining our faceted main with our RC2 clip



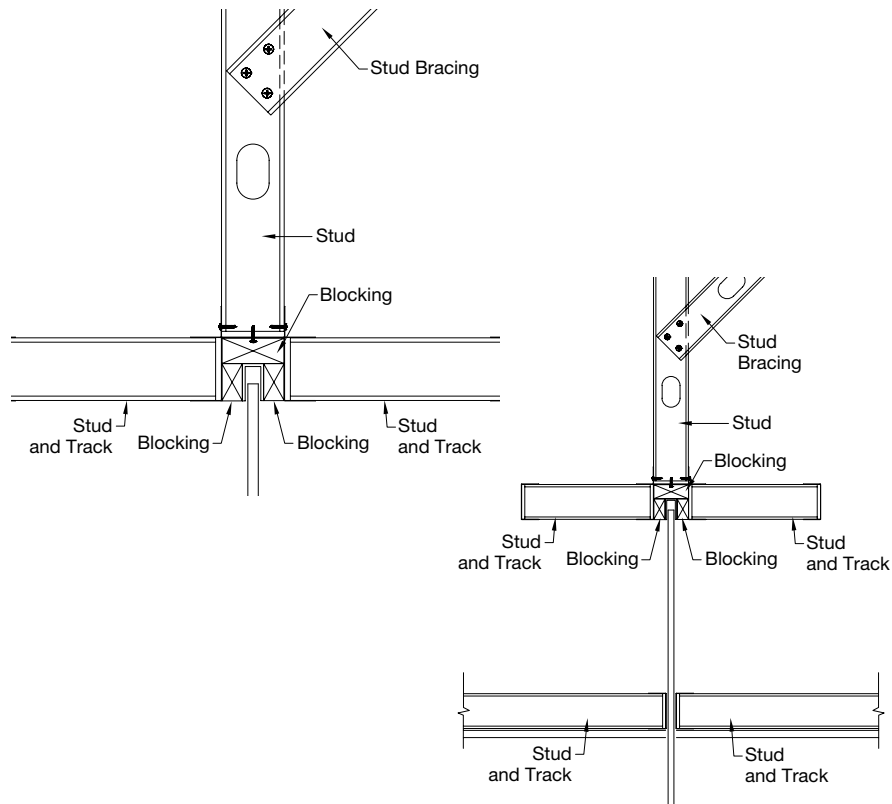


Axiom® Glazing Channel

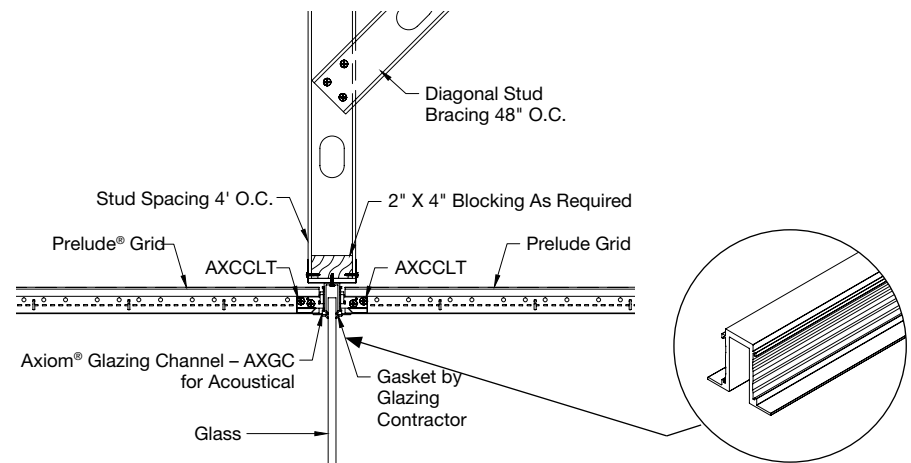
# AXIOM® GLAZING CHANNEL

Reduce framing with integrated glazing channel, wall angle, and mud flange.

## Traditional Glass Partition



## Armstrong Ceilings Axiom® Glazing Channel



## Benefits

- Integration with all Armstrong® acoustical and drywall ceiling systems for a clean installed visual so glass seems to “disappear” into the plenum
- Five trim profile options to coordinate Lay-in, Tegular, and Vector® ceiling panels and Drywall Grid Systems
- Completely concealed integration without the need for a drywall bulkhead





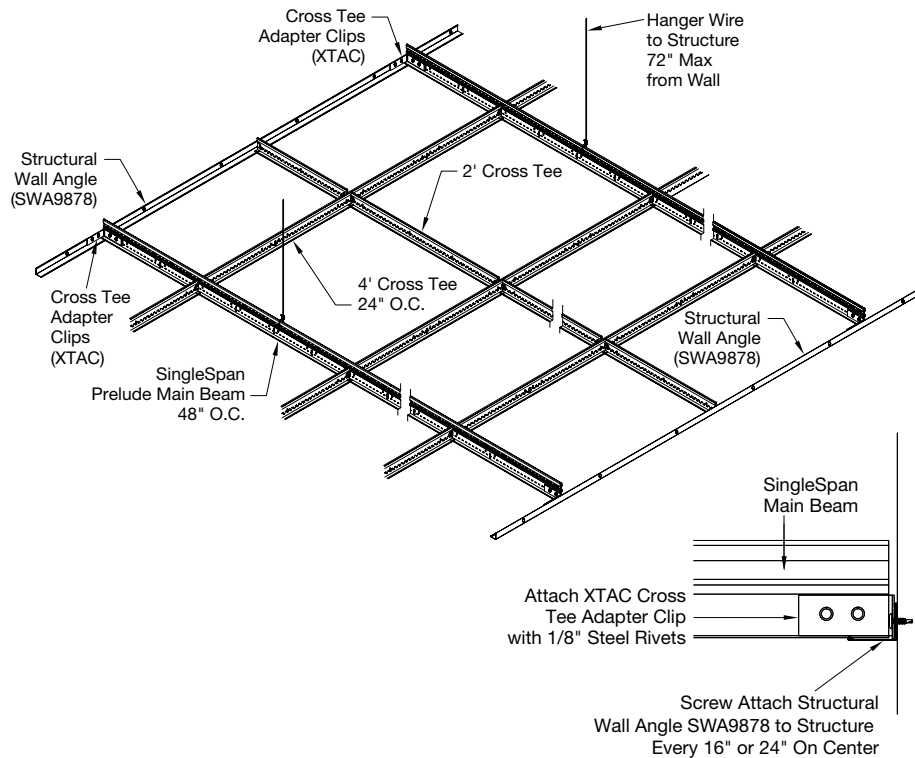
SingleSpan™ Acoustical Corridor System  
with Calla® Ceiling Panels

# SINGLESPAN™ ACOUSTICAL CORRIDOR SUSPENSION SYSTEM AND SHORTSPAN® DRYWALL FRAMING SYSTEM

Fastest and easiest way to frame acoustical and drywall corridors.

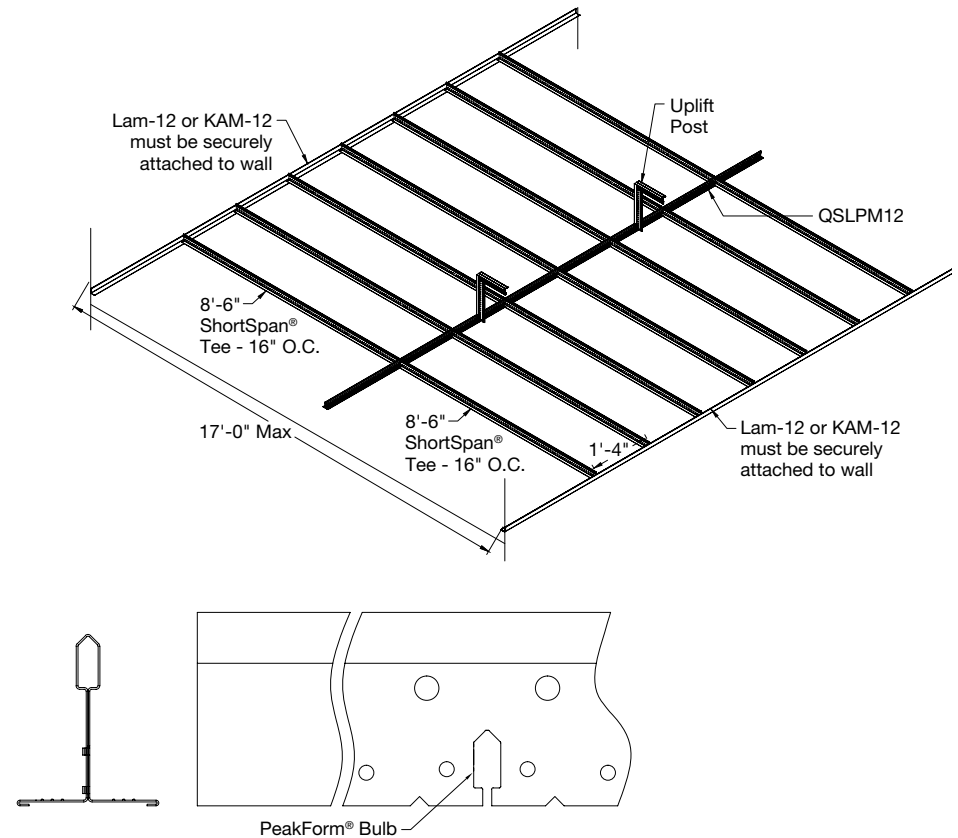
## Armstrong Ceilings

### SingleSpan™ Acoustical Corridor Suspension System



## Armstrong Ceilings

### ShortSpan® Drywall Framing System



## Benefits

- Reduces or eliminates hanger wires – perfect for healthcare/education spaces with crowded plenums
- ShortSpan – support spans up to 8'-6" with no mid-span support and up to 17' with one support down the middle
- SingleSpan provides improved access to utilities in the plenum post installation



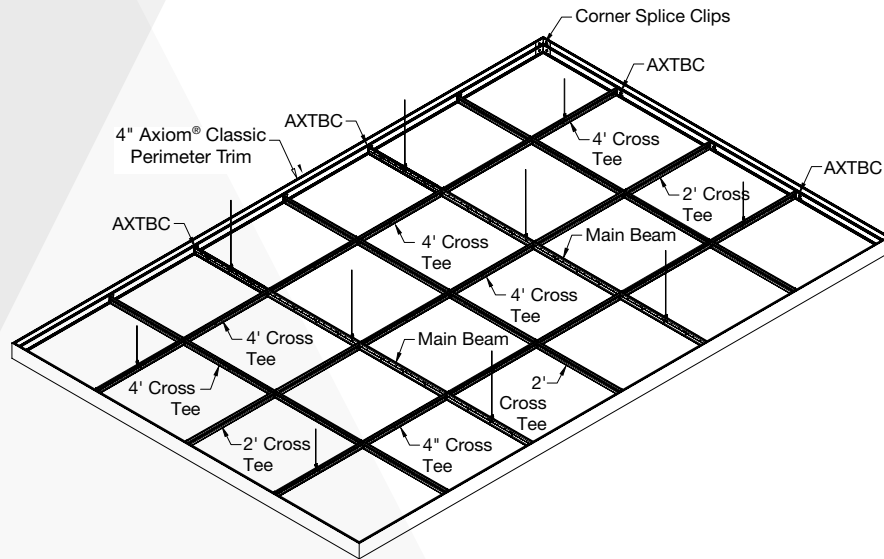


Formations™ Acoustical Clouds &  
Prelude® Painted 360 Grid

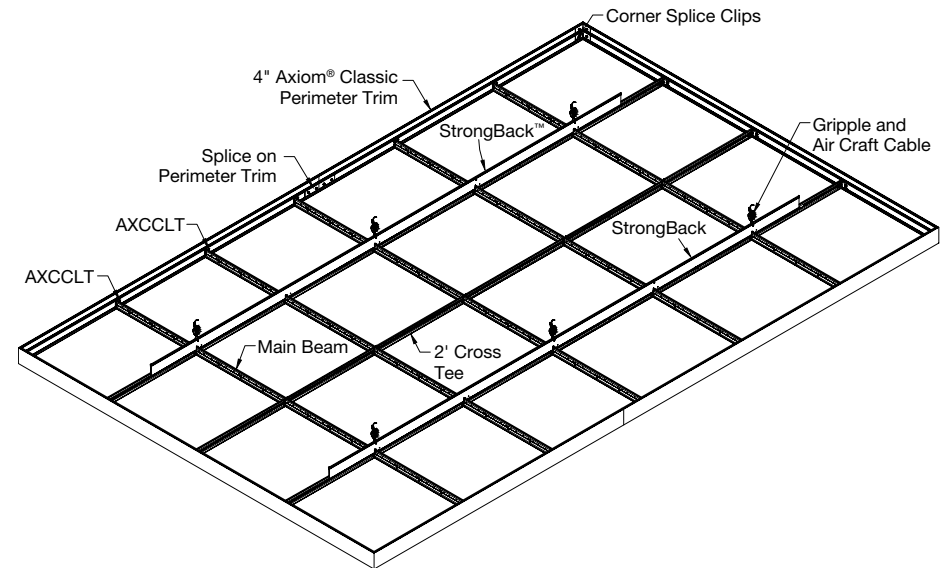
# FORMATIONS™ ACOUSTICAL CLOUD KITS

Kits install 55% faster than stick built clouds – no field painting or modifications.

## Traditional Stick-Built Cloud



## Armstrong Ceilings Formations™ Acoustical Cloud Kits



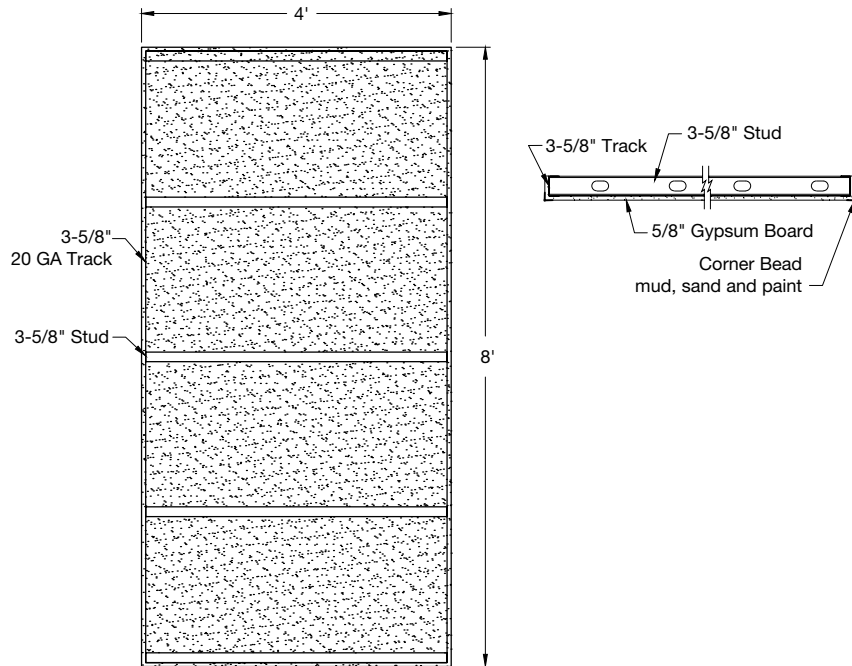
## Benefits

- Variety of options – including configurations, panels, sizes, trim color, lighting, and applications
- Ideal for exposed structure areas to reduce reverberation time, reduce noise levels, and increase speech intelligibility
- Kits come complete with our proven StrongBack™ carrying channel, which eliminates 40% of the cables – minimizing visible wires
- Wide range of standard Axiom® trim and suspension system colors adds a custom look

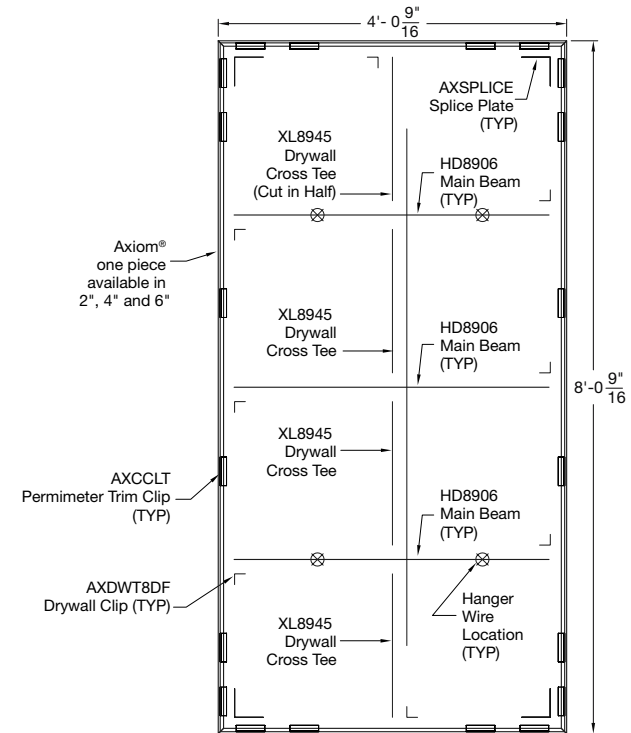
# FORMATIONS™ DRYWALL CLOUD KITS

Kits install 50% faster than traditional track and channel drywall clouds.

## Traditional Stud & Track Drywall Cloud



## Armstrong Ceilings Formations Drywall Cloud Kits



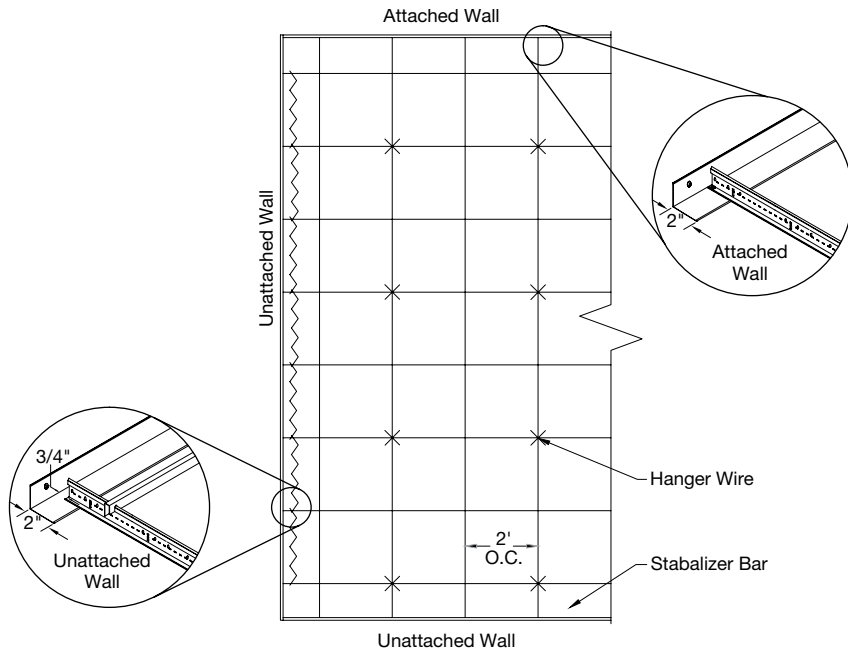
## Benefits

- Pre-cut suspension system components, perimeter trim, and easy-to-adjust aircraft hanging cables make assembly and installation fast and easy
- Perimeter trim integrates with 5/8" thick drywall (not included in kit)
- Improved floating visual compared to traditional stud framed drywall clouds

# SEISMIC WALL MOLDING CONNECTION (BERC2)

No visible pop rivets required on fixed walls.

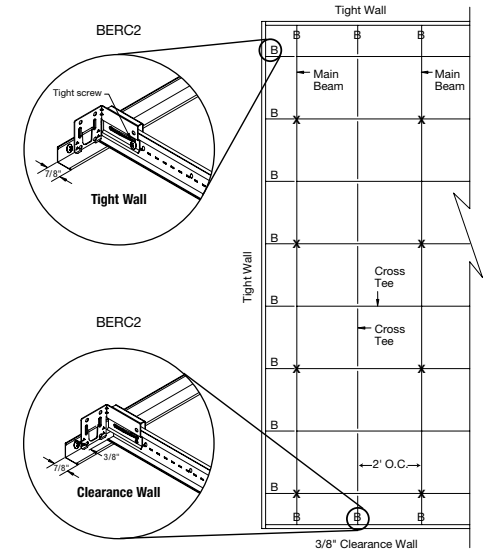
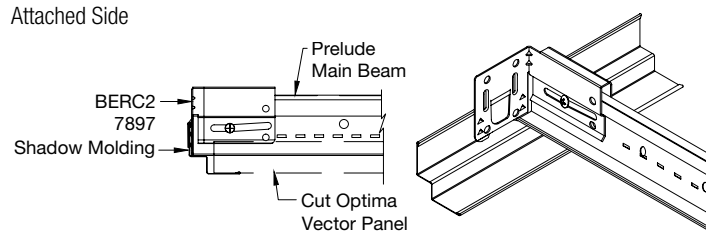
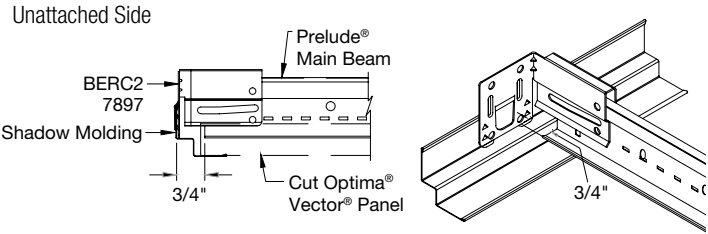
## Traditional Seismic Wall Molding Connection



## Benefits

- Create a code compliant Seismic D, E, F ceiling installation, while eliminating the need to use 2" wall molding
- No perimeter stabilizer bars required
- 7/8" wall angle instead of 2" wall angle
- No uneven appearance with 7/8" wall angle

## Armstrong Ceilings Seismic Wall Molding Connection (BERC2)



X Hanger Wire  
B BERC or BERC2 Clip



# WALL MOLDING CONNECTION (GCWA CLIP – NON-SEISMIC)

Eliminate visible fastening at wall molding for improved visual.

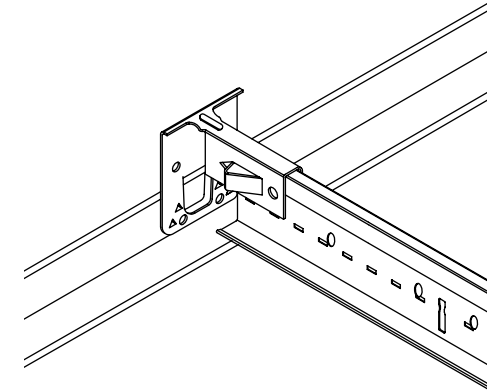
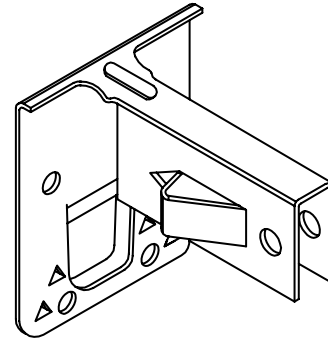
## Traditional

Wall Molding Connection



## Armstrong Ceilings

Wall Molding Connection (GCWA Clip – Non-Seismic)



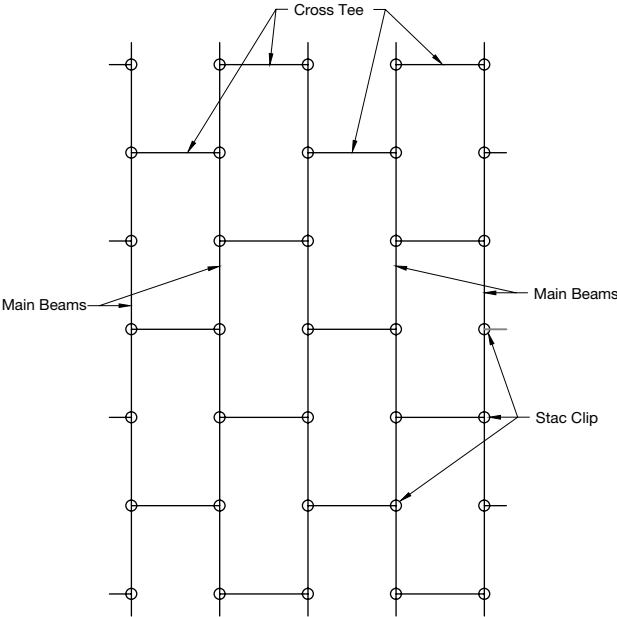
## Benefits

- Join any main beam or cross tee to a wall molding via integral locking barbs without any visible pop rivets or screws
- Integrates with suspension system – eliminating guesswork
- Clips are made and ready to use through our FastShip™ clips and accessories program
- Securely attaches mains and tees to perimeter

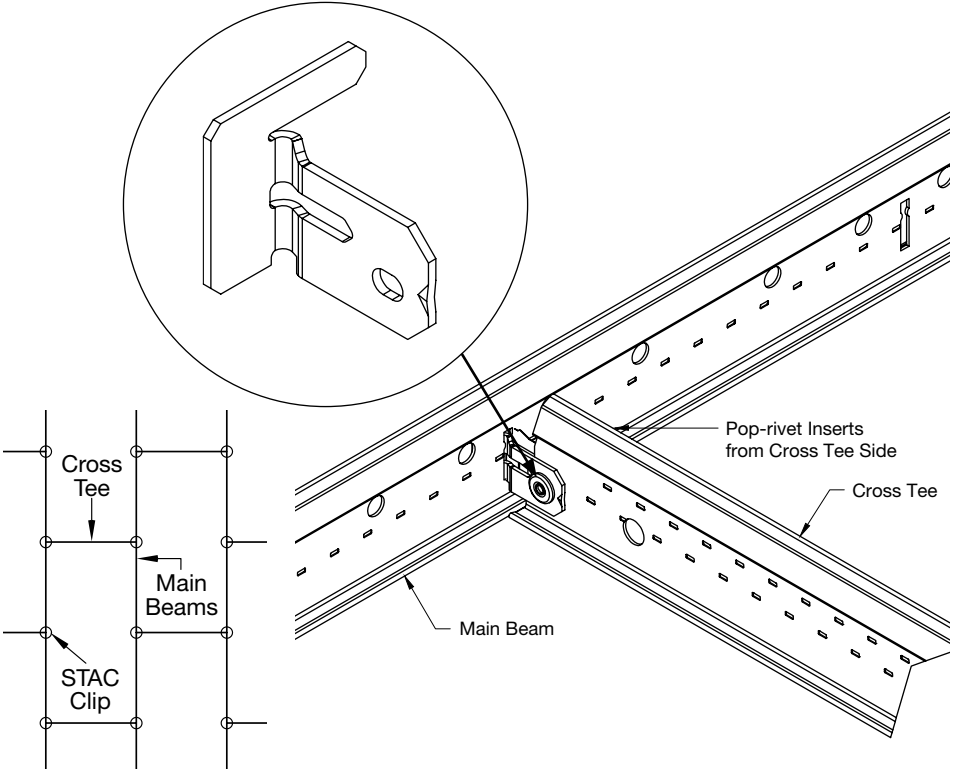
# OFF MODULE CEILING DESIGN (STAC CLIP)

Off module tees are tight and grid installation is square at each connection.

## Traditional Off Module Ceiling Design



## Armstrong Ceilings Off Module Ceiling Design (STAC Clip)



## Benefits

- Create strong, code compliant, non-seismic and seismic C, D, E, F off-module main beam to cross tee connections
- Consistent fit and finish at connection points of layout
- Perfectly square installation
- Use STAC everywhere you do not have an opposing cross tee connection

# TECTUM® WALL, CEILING, AND ROOF DECK PANELS

Panels can be attached directly to walls and ceilings in forms of panels, clouds, and square or curved.

## STANDARD



Tectum® Direct-Attach



Tectum® Lay-In



Tectum® Tegular

## CUSTOM



Tectum® Blades & Baffles



Tectum® Concealed



Tectum® Finale



Tectum® Panel Art



Tectum® Shapes and Clouds

### Benefits

- Durable for heavy-use interiors
- Sound absorption (NRC) values up to 1.0
- Great acoustical retrofit solution
- Color options include standard, Colorations® colors, and custom Sherwin-Williams® colors
- Easy to install



MetalWorks™ Torsion Spring

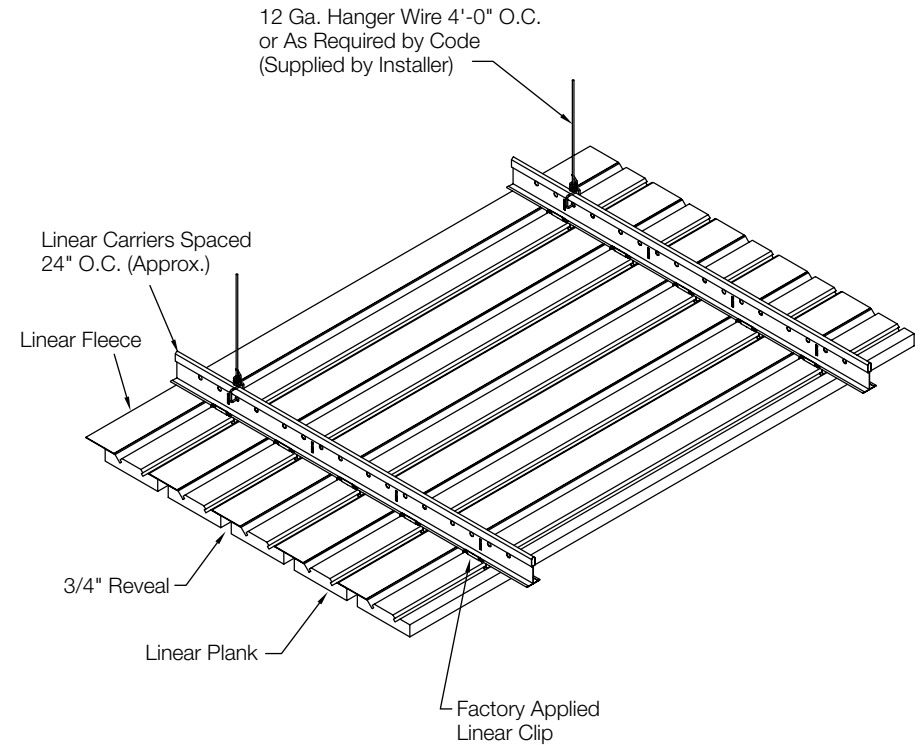


# WOODWORKS® LINEAR

Traditional or easy-to-install panels offer multiple ways to achieve a linear look.

Armstrong Ceilings

WoodWorks® Linear



## Benefits

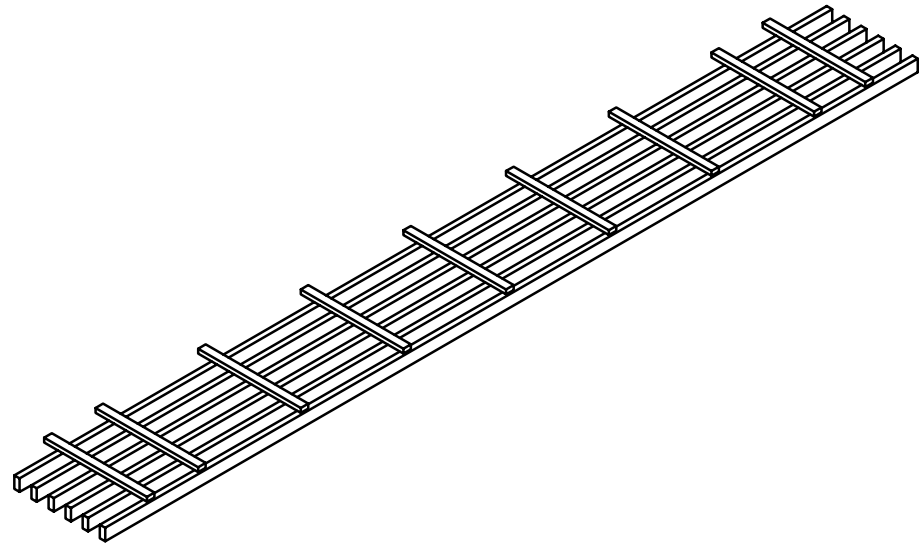
- Two plank widths – nominal 3" and nominal 5" – in four rich finishes and white
- Fast, easy installation – screw into suspension system or install with backer clip
- BioAcoustic™ infill available for increased acoustical performance

# WOODWORKS® GRILLE

These warm, natural wood ceilings offer installation flexibility and a variety of design options.

Armstrong Ceilings

WoodWorks® Grille



## Benefits

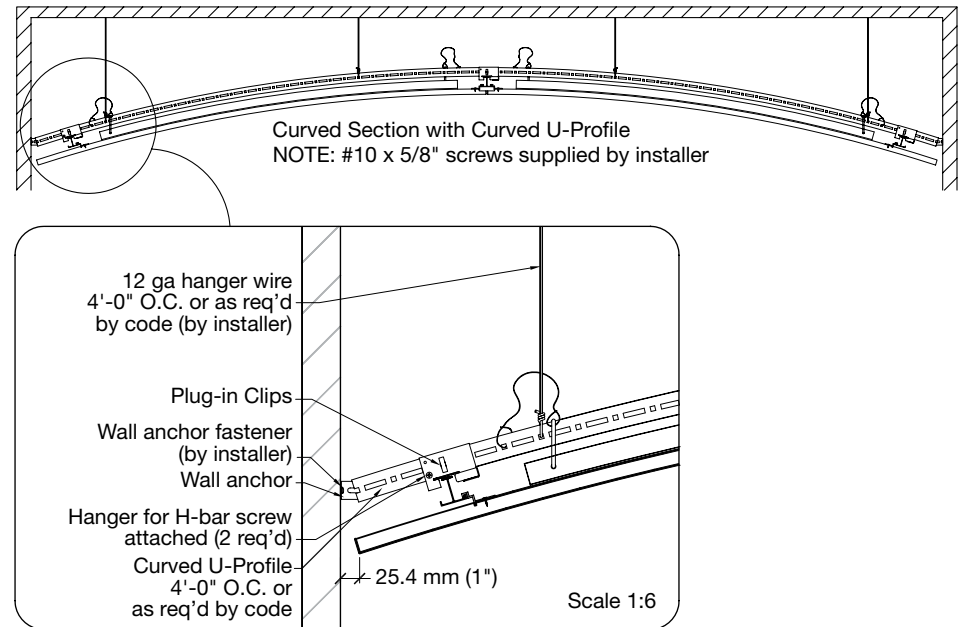
- Variety of standard slat sizes available; custom sizes also available
- Install in the ceiling, on the wall, or create 90° angled or faceted ceiling-to-wall transitions
- Easy installation with dowel, backer, or dowel & backer combination

# WOODWORKS® ACCESS™

This unique, accessible design is available for flat and curved custom applications as well as with our standard 2' x 2' products.

Armstrong Ceilings

WoodWorks® Access™



## Benefits

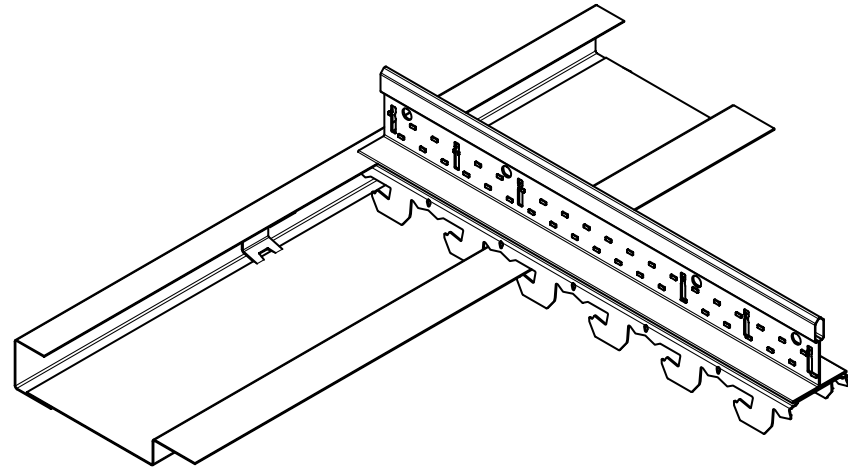
- Provides full downward accessibility
- Accommodates any room design
- Panel options up to 16 sq. ft.
- Flat, radial, and curved panels available

# METALWORKS™ LINEAR

Durable, metal panels in more widths for a variety of flexible and unique acoustical and interior/exterior solutions.

Armstrong Ceilings

MetalWorks™ Linear



## Benefits

- New universal suspensions system will enable easy installation and a clean finished visual
- Nominal 2", 4", 6", 8", 10", and 12" wide panels, including nominal 1" reveal
- Install in the ceiling, on the wall – create 90° angled or curved ceiling-to-wall transitions
- Mix and match widths for a striated visual
- Available for exterior applications, tested to meet wind uplift Classes 30, 60, and 90

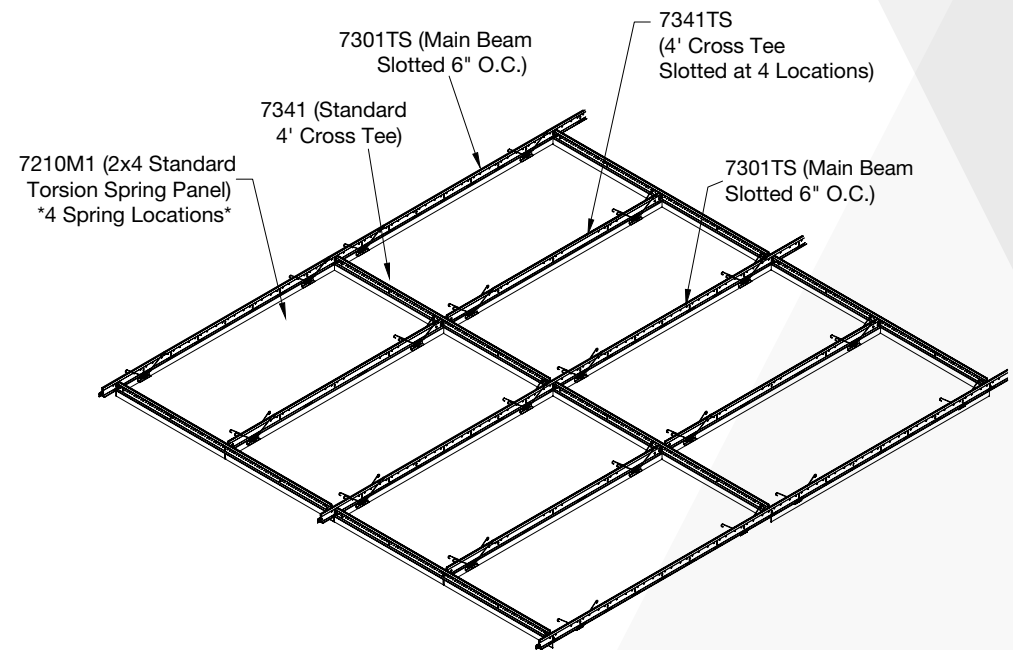


# METALWORKS™ TORSION SPRING

Large-size concealed panels offer a monolithic visual with 100% downward accessibility.

Armstrong Ceilings

MetalWorks™ Torsion Spring



## Benefits

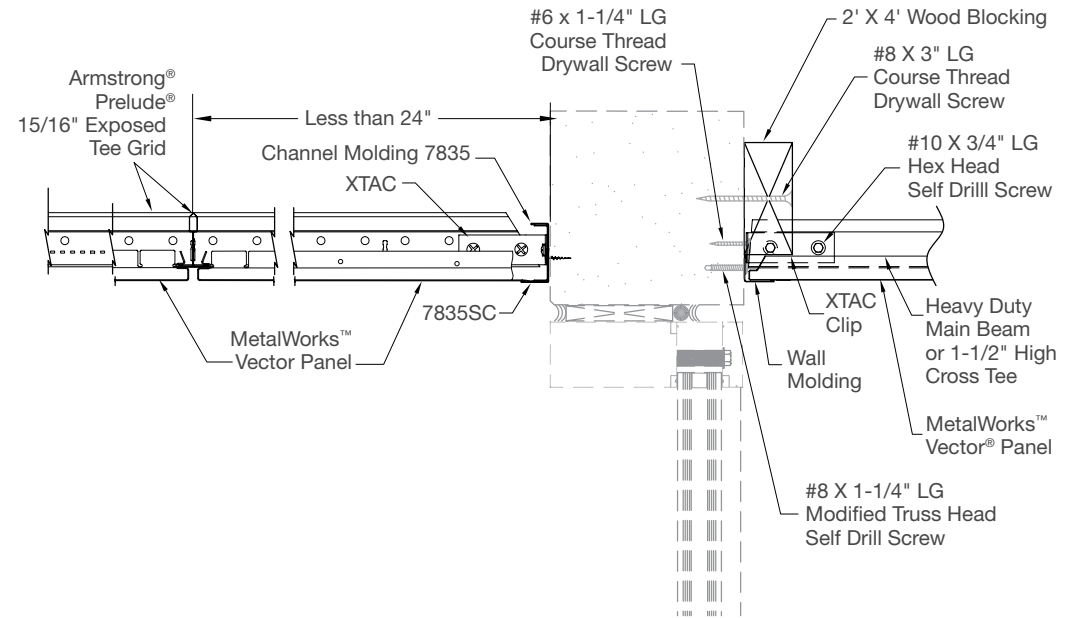
- Variety of panel sizes that install with pre-slotted standard 15/16" suspension system
- Interior panels feature swing-down accessibility
- For exterior applications, choose from two standard panel sizes that install with 15/16" G90 suspension system

# METALWORKS™ VECTOR®

Durable, steel panels offer a 1/4" reveal and 100% downward accessibility.

Armstrong Ceilings

MetalWorks™ Vector®



## Benefits

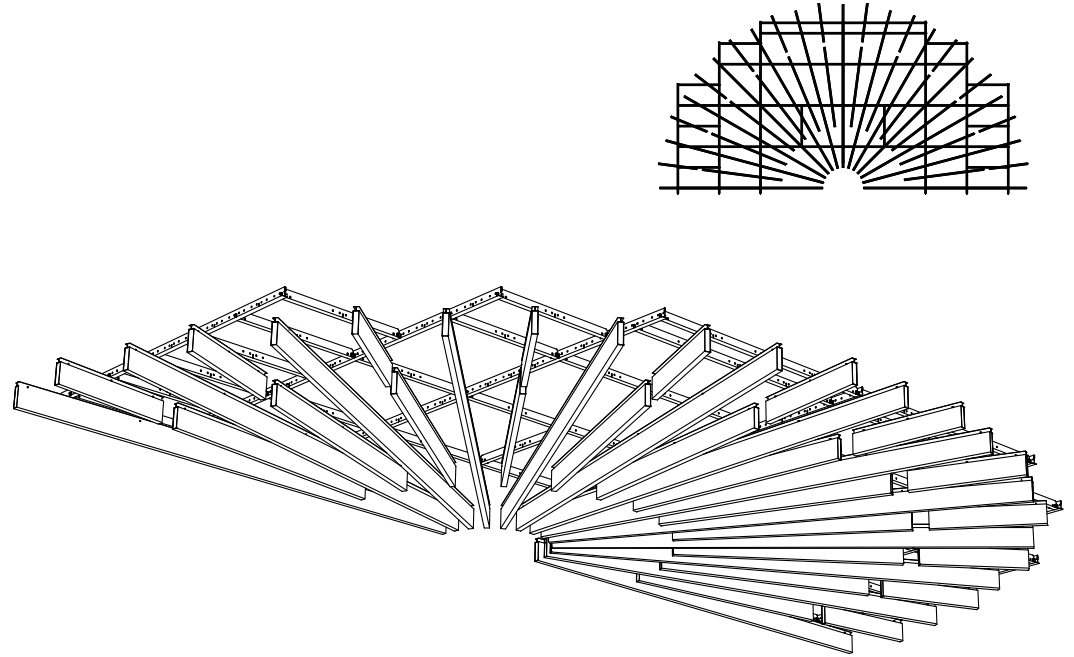
- Exclusive Vector® Panel edge profile installs on new or existing 15/16" exposed tee suspension system resulting in a thin 1/4" reveal
- Outstanding NRC with acoustical fleece or infill panel (0.65-0.85)
- Installs with minimal plenum clearance and is accessible without the need of special tools
- Exterior system available, tested to meet wind uplift Classes 30, 60, and 90

# METALWORKS™ BLADES – CLASSICS™

Vertical panels, in upscale linear designs, available in acoustical or non-acoustical options.

Armstrong Ceilings

MetalWorks™ Blades – Classics™



## Benefits

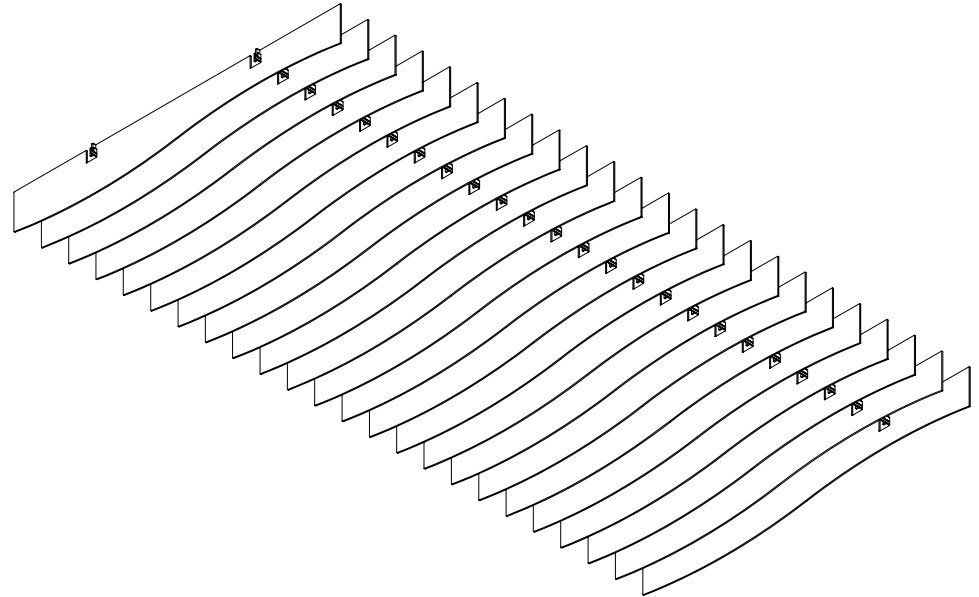
- Create an accent area or add dramatic visual impact with a full room installation
- Now available in two lengths for creative design layouts
- Perfect for both renovation and new construction projects
- Six Effects™ Wood Look finishes, three standard metal finishes that are part of the Sustain® program, and custom colors available

# INFUSIONS® BLADES – CONCEPTS™

Playful translucent vertical panels, with unique wave designs, interplay with lighting, colors, and textures.

Armstrong Ceilings

Infusions® Blades – Concepts™



## Benefits

- Create a colorful accent area or add dramatic visual impact with a full room installation
- Unique wave designs can create a variety of visuals depending on the spacing of the vertical panels and the direction of installation

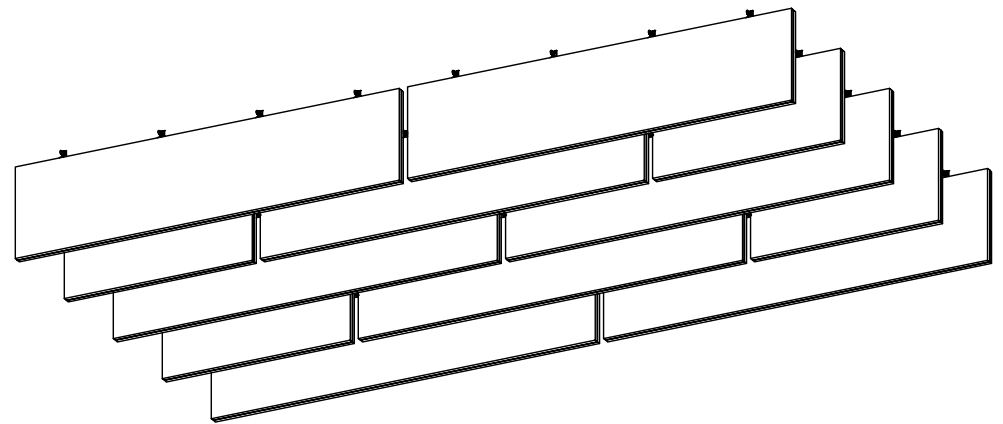


# SOUNDSCAPES® BLADES™

Acoustical vertical panels reduce reverberation time in your space, now in three new depths and 10 new curved profiles for wave designs.

Armstrong Ceilings

SoundScapes® Blades™



## Benefits

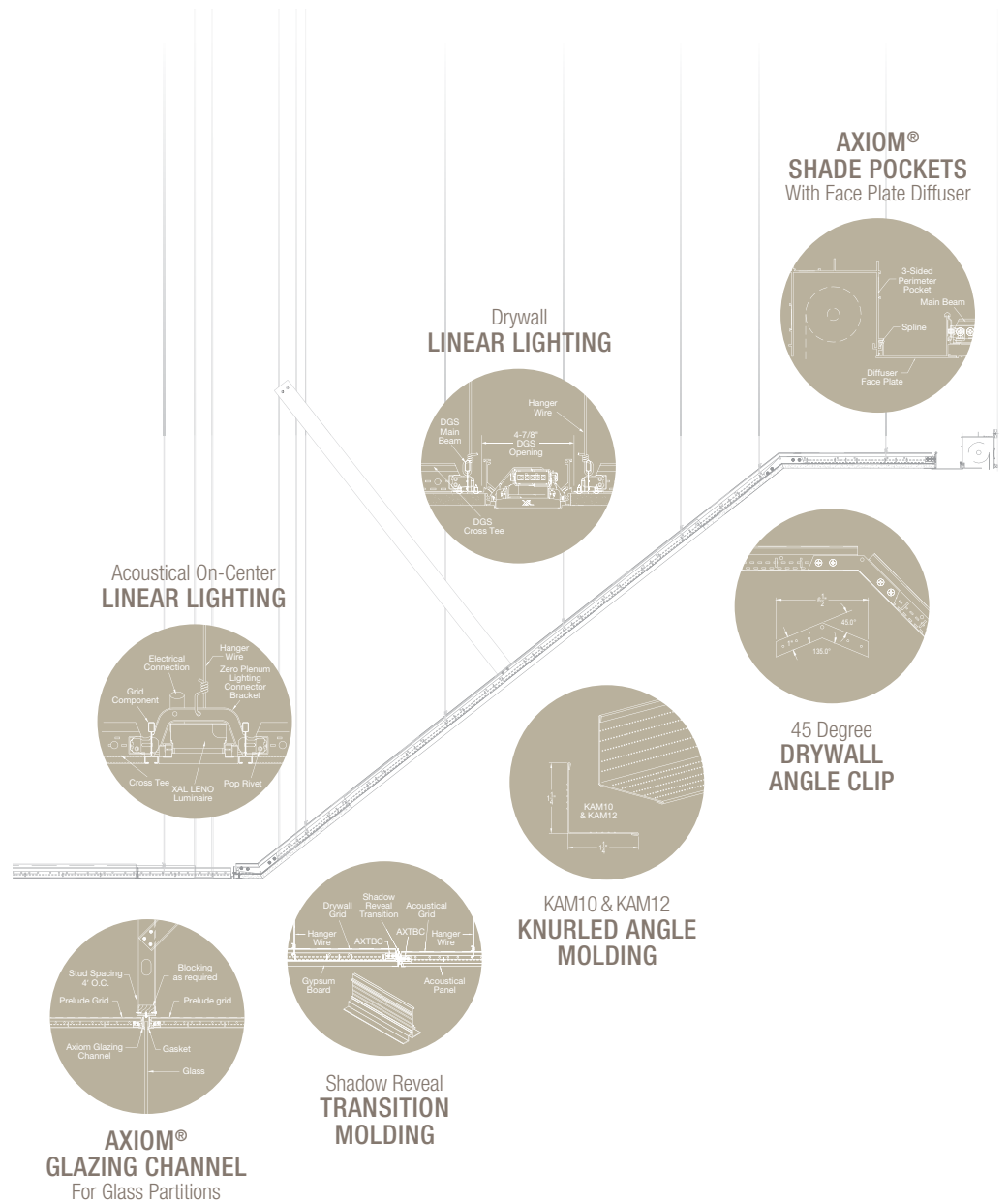
- Excellent acoustical absorption – 1.38 sabins/ft.<sup>2</sup>
- Twenty rectangle or curved vertical panel sizes - linear, upscale visual
- Integrated hardware – installs from a standard suspension system or individual suspension

# FROM ONE END OF THE BUILDING TO THE OTHER

Pre-Engineered Integrated Ceiling Solutions



**DETAILS**  
MAKE THE DIFFERENCE



## CEILING CONSTRUCTION

Improve Construction Efficiencies and Job-Site Production



When you choose Armstrong® ceiling products, you get the backing of our team of experts on call to help you:

- ▶ Minimize your construction schedule
- ▶ Eliminate guesswork
- ▶ Reduce construction coordination
- ▶ Maintain design intent with fit and finish

By providing:

- ▶ On-site training
- ▶ Product demonstrations
- ▶ Shop drawings/mocks
- ▶ And much more...

## THE EXPERTISE TO BUILD IT BETTER

[armstrongceilings.com/expertise](http://armstrongceilings.com/expertise)

TAKE  
THE NEXT  
STEP

**1 877 276 7876**

Customer Service Representatives  
7:45 a.m. to 5:00 p.m. EST  
Monday through Friday

**TechLine** – Technical information, detail drawings,  
CAD design assistance, installation information,  
other technical services – 8:00 a.m. to 5:30 p.m. EST,  
Monday through Friday. FAX 1 800 572 8324  
or email: [techline@armstrongceilings.com](mailto:techline@armstrongceilings.com)

**[armstrongceilings.com/commercial](http://armstrongceilings.com/commercial)**

Latest product news  
Standard and custom product information  
Online catalog  
CAD, Revit®, SketchUp® files  
A Ceiling for Every Space® Visual Selection Tool  
Product literature and samples – express service  
or regular delivery  
Contacts – reps, where to buy, who will install

**YOU INSPIRE™ SOLUTIONS CENTER**

1 800 988 2585  
email: [solutionscenter@armstrongceilings.com](mailto:solutionscenter@armstrongceilings.com)  
[armstrongceilings.com/youinspire](http://armstrongceilings.com/youinspire)

**Design Assistance**

Collaborative design  
Detail drawings  
Specifications  
Planning and budgeting

**Pre-construction Assistance**

Layout drawings for standard  
and premium products  
Project installation recommendations  
Contractor installation assistance

**you inspire™**  
solutions center

helping to bring your one-of-a-kind ideas to life

SketchUp® is a registered trademark of Trimble, Inc.; Revit® is a registered trademark of Autodesk, Inc.  
Sherwin-Williams® is a registered trademark of The Sherwin-Williams Company  
Inspiring Great Spaces® is a registered trademark of AFI Licensing LLC  
All other trademarks used herein are the property of AWI Licensing LLC and/or its affiliates  
© 2018 AWI Licensing LLC • Printed in the United States of America

[armstrongceilings.com/riseup](http://armstrongceilings.com/riseup)

Inspiring Great Spaces®

**Armstrong®**  
CEILING & WALL SOLUTIONS