

INFUSIONS® Accent Canopies Technical Guide



This booklet provides panel dimensions, elevation drawings, arc details, hardware accessory information and configuration ideas for Armstrong Infusions Accent Canopies.

An Infusions Accent Canopy is a flat, rectangular panel with aluminum extrusions on both ends. When tension cables are strung through the extrusions, the panel curves to form an arc and is then suspended by other cables from the ceiling plenum or a wall.

Available in 2' x 5', 2' x 6' and 4' x 10' sizes, Infusions Accent Canopies can be used individually, linked or grouped to create artistic configurations. To further enhance visual interest, the canopies can be suspended at varying heights.

For color and panel selection, refer to the Infusions Accent Canopies data page, CS-3910. For installation information, refer to the Infusions Accent Canopies installation instructions, LA-297055.

Key Selection Attributes

- Canopies can be used to define spaces, accentuate an area, provide focus, create ceiling artwork
- Standard components allow you to create custom configurations
- You can mix and match sizes, shapes, textures, finishes (Do not stack polycarbonate panels over top of aluminum panels)
- Lighting can enhance the impact of canopies
- Suspend individually or in groups, convex or concave, with a wide range of linking and attachment kits
- Standard kits provide all the needed hardware
- Installation is fast and simple – no special tools are required

Applications

High visibility and focus areas, including:

- Hospitality
- Retail
- Offices
- Lobbies/atriums (recommended for 4' x 10' canopies)
- Exposed structure areas
- Cafeterias
- Transportation
- Healthcare
- Higher education

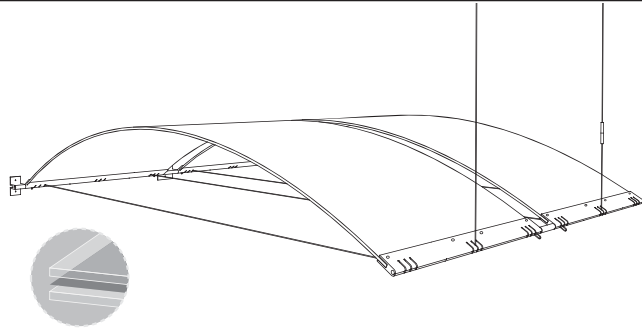


INFUSIONS® Accent Canopies

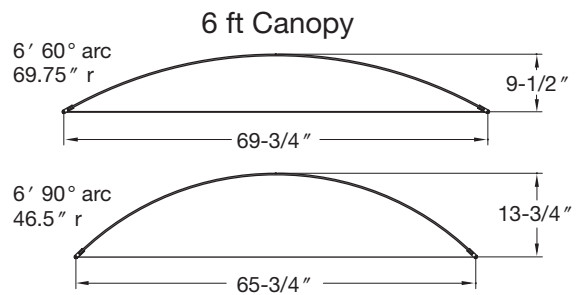
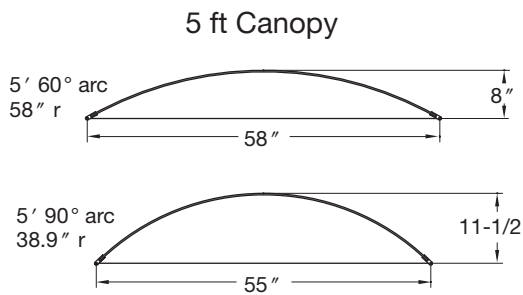
2' x 5' and 2' x 6' Panel Kits

KIT CONTENTS:

- Flat Infusions panel (1 or 2) with nominal 2' Aluminum Extrusions (2/panel) attached
- Cables to form arcs (60° or 90°)



Infusions solids and patterns are typically made by infusing fabric of varying color, texture and translucency between layers of polycarbonate resin.

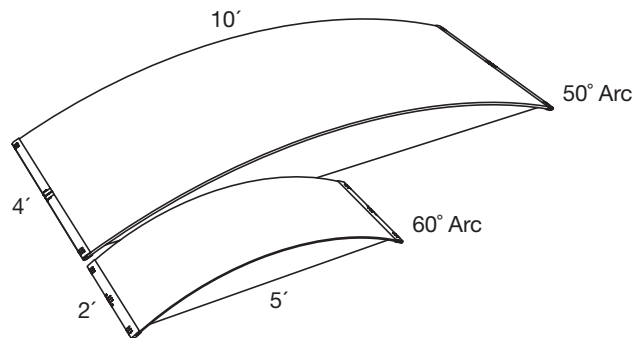


4' x 10' Panel Kits

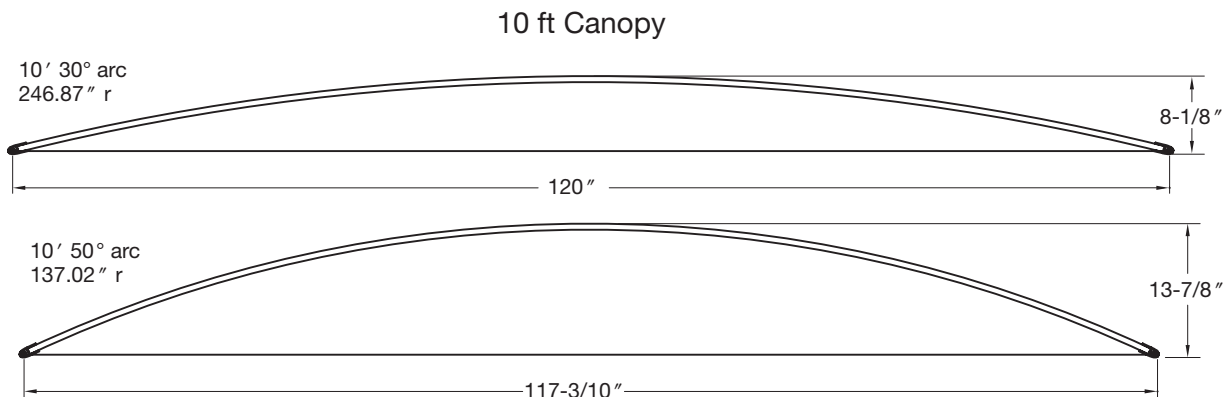
KIT CONTENTS:

- Flat Infusions panel (1 or 2) with nominal 4' Aluminum Extrusions (2/panel) attached
- Cables to form arcs (30° or 50°)

NOTE: Panel extrusions for nominal 4' x 10' panels are 48-1/2" long. Suspension points for these panels are 44-1/2" apart.



The elevations would be different with these two different size canopies linked side-by-side.

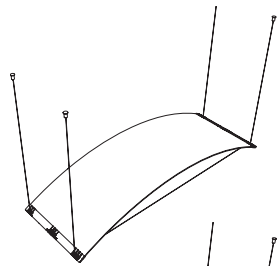


NOTE:

Refer to Infusions data page CS-3910 for all canopy item numbers and color options.

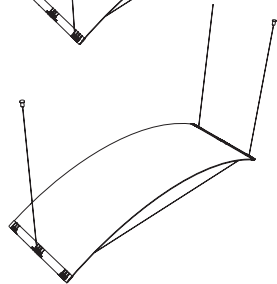
Ways You Can Suspend Infusions Accent Canopies

To Create: Single Canopies Suspended by Cables



One canopy (2' x 5', 2' x 6' or 4' x 10') with two cables on each side, you need:

- One Panel
- Two of the same Hanging Kits (7004, 7005 or 7010) depending on desired hanging length

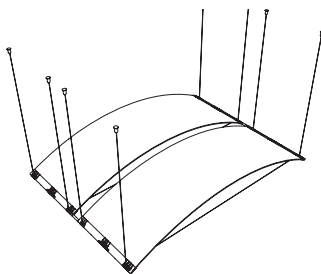


One canopy with two cables on one side and one cable centered on the other side, you need:

- One Panel
- Two of the same Hanging Kits (7004, 7005 or 7010) depending on desired hanging length

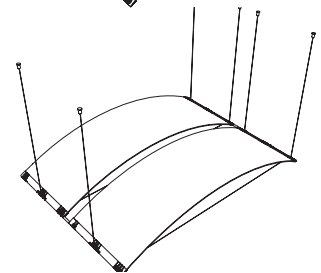
Note: One cable will be left over. This is only appropriate for 2' x 5' and 2' x 6' canopies.

To Create: Linked Canopies Suspended from Above



Two canopies (2' x 5', 2' x 6' or 4' x 10') linked and suspended with two cables on each side, you need:

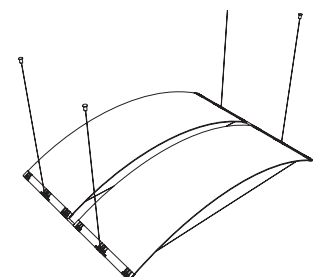
- Two Panels
- Four of the same Hanging Kits (7004, 7005 or 7010) depending on desired hanging length
- One or two of the same Spacing Kits (7042, 7043 or 7007) (Both sides do not have to be linked)



Two canopies linked and suspended with two cables on one side and four cables on the other side, you need:

- Two Panels
- Three of the same Hanging Kits (7004, 7005 or 7010) depending on desired hanging length
- One or two of the same Spacing Kits (7042, 7043 or 7007) (Both sides do not have to be linked)

Note: This is only appropriate for 2' x 5' and 2' x 6' canopies.

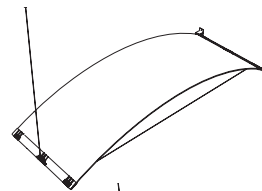


Two canopies linked and suspended with one cable on each side, you need:

- Two Panels
- Two of the same Hanging Kits (7004, 7005 or 7010) depending on desired hanging length
- Two of the same Spacing Kits (7042, 7043 or 7007, both sides must be linked)

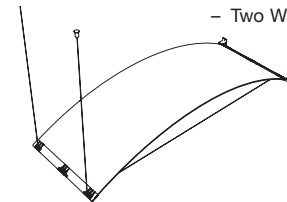
Note: This is only appropriate for 2' x 5' and 2' x 6' canopies.

To Create: Single Canopy Suspended by Cable and Wall Mounts

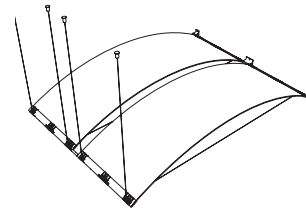


You need:

- One Panel
- One Hanging Kit (7004, 7005 or 7010) depending on desired hanging length - one or two cables on one side and wall mounts on the other side
- Two Wall End Attachment Kits (7009)



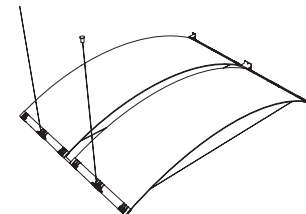
To Create: Two Linked Canopies Suspended by Two Cables per Side per Canopy and Wall Mounted on the Other Side



You need:

- Two Panels (2' x 5', 2' x 6' or 4' x 10')
- Two of the same Hanging Kits (7004, 7005 or 7010) depending on desired hanging length
- One 3" Spacing Kit (7007)
- One Wall Attachment Kit (7008)
- Two Wall End Attachment Kits (7009)

To Create: Two Linked Canopies Each Suspended by One Cable per Side and Wall Mounts on the Other Side

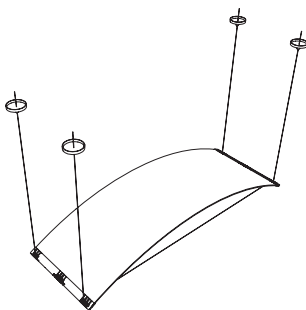


You need:

- Two Panels
- One Hanging Kit (7004, 7005 or 7010) depending on desired hanging length
- One 3" Spacing Kit (7007)
- One Wall Attachment Kit (7008)
- Two Wall End Attachment Kits (7009)

Note: This is only appropriate for 2' x 5' and 2' x 6' canopies.

To Create: Single Canopies Suspended Under an Existing Ceiling



FOR EACH HANGING KIT THAT IS SPECIFIED, INCLUDE ONE ESCUTCHEON KIT TO PROVIDE A COVER FOR THE HOLE CREATED IN THE EXISTING CEILING.

Example: One canopy with two cables on each side, you need:

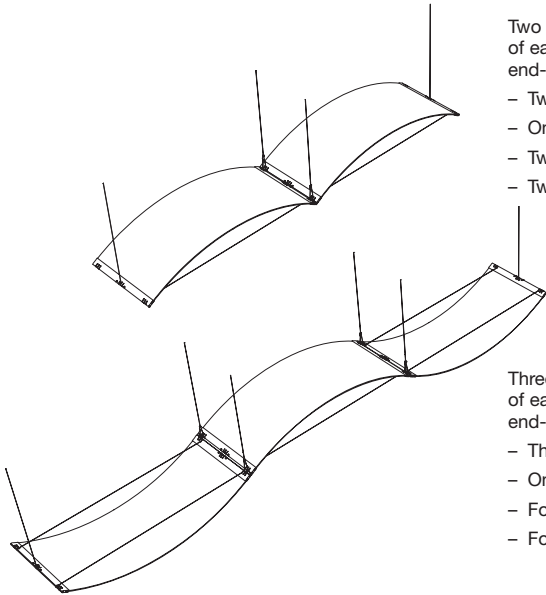
- One Panel (2' x 5', 2' x 6' or 4' x 10')
- Two of the same Hanging Kits (7004, 7005 or 7010) depending on desired hanging length
- Two Escutcheon Kits (7006)

NOTE:

Infusions Canopies, as with other architectural features located at the ceiling, may obstruct or skew the planned fire sprinkler water distribution pattern, or possibly delay or accelerate the activation of the sprinkler or fire detection systems by channeling heat from a fire either toward or away from the device. Designers and installers are advised to consult a fire protection engineer, NFPA 13, and their local codes for guidance where automatic fire detection and suppression systems are present. Infusions Canopies have been tested according to NFPA 286 and are equivalent to Class A Interior Finish as defined in Chapter 8 of the International Building Code. For proper fire performance, do not install Polycarbonate panels so that any portion of the panel is suspended directly above any portion of an aluminum panel.

Ways You Can Suspend Linked Infusions Accent Canopies (same size)

To Create: Canopies Linked End-to-End



Two canopies linked and suspended with one cable at one end of each canopy, and two new dual canopy cables between end-linked canopies, you need:

- Two Panels (same width)
- One Hanging Kit (7004 or 7005, depending on length)
- Two Dual Canopy Hanging Kits (7041)
- Two Single Hinge Linking Kits (7044)

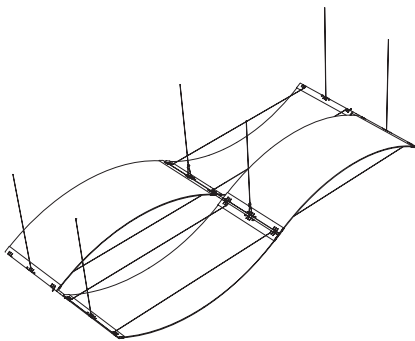
NOTE:

2' x 5' and 2' x 6' panels that are linked end-to-end, but not side-to-side, must use at least 3 cables per canopy. 4' x 10' panels require 4 cables per canopy. A dual canopy cable acts like one cable in either application.

Three canopies linked and suspended with one cable at one end of each canopy, and two new dual canopy cables between end-linked canopies, you need:

- Three Panels (same width)
- One Hanging Kit (7004 or 7005, depending on length)
- Four Dual Canopy Hanging Kits (7041)
- Four Single Hinge Linking Kits (7044)

To Create: Canopies Linked End-to-End and Side-to-Side



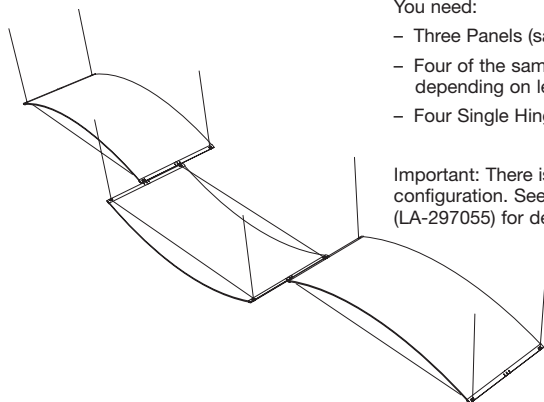
Four canopies linked and suspended with one cable at one end of each canopy, and one dual canopy cable between end-linked canopies, you need:

- Four Panels (same width)
- Two of the same Hanging Kits (7004 or 7005, depending on length)
- Two Dual Canopy Hanging Kits (7041)
- Two Single Hinge Linking Kits (7044)
- One Dual Hinge Linking Kit (choose from 7045, 7046 or 7047, depending on the desired spacing distance)
- Two Spacing Kits (choose from 7042, 7043 or 7007 to match spacing dimension selected above)

NOTE:

Panels linked end-to-end and side-to-side can utilize the Dual Canopy Hanging Kit to minimize visible wires. Only two cables per canopy are needed in these applications when 2' x 5' or 2' x 6' canopies are used. New 4' x 10' canopies would still require four cables per canopy to support the larger panels.

To Create: Offsetting Canopies Linked End-to-End



You need:

- Three Panels (same width)
- Four of the same Hanging Kits (7004, 7005 or 7010, depending on length)
- Four Single Hinge Linking Kits (7044)

Important: There is a different assembly process for this type of configuration. See Section 11 of the Installation Instructions (LA-297055) for details.

NOTE:

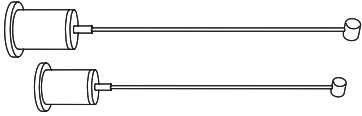
If you need assistance identifying what and how many accessory kits are needed for your project, please contact TechLine at 1 877 ARMSTRONG.

Accessory Kits

Hanging Kits

ITEM #	KIT CONTENTS
7004	Standard 8' Hanging Kit

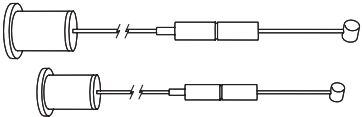
- (2) Gripper Structure Anchors
- (2) Gripper Adjusters
- (2) 8' Suspension Cables



7005	Extended Hanging Kit - 16'
-------------	-----------------------------------

Allows for extended drops from deck and bottom end adjustment of height at panel.

- (2) Gripper Structure Anchors
- (2) Gripper Anchor Caps
- (2) Upper Cables (16')
- (2) Gripper Bottom End Assemblies
- (2) Bottom End Cable Adjusters



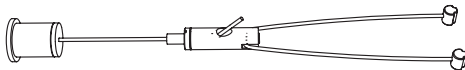
7010	Extended Hanging Kit - 30'
-------------	-----------------------------------

Same as 7005 above except 30' cables (2).

7041	Dual Canopy Hanging Kit
-------------	--------------------------------

Links two canopies end-to-end with one yoked wire to minimize visible wires.

- (1) Gripper Structure Anchor
- (1) Gripper Anchor Cap
- (1) Upper Cable (16')
- (1) Two-ended Cable (8")
- (1) Cross Cable Glider

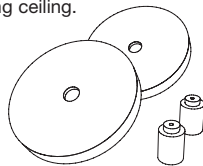


Wall and Ceiling Kits

ITEM #	KIT CONTENTS
7006	Escutcheon Kit

Used when hanging canopy below an existing ceiling.

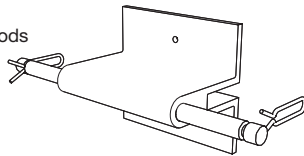
- (2) Collars with Set Screws
- (2) 2" Escutcheons



7008	Wall Attachment Kit
-------------	----------------------------

Anchors canopies side-by-side to a wall.

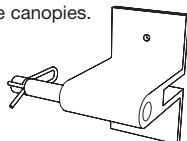
- (2) Locking Clips
- (2) 2-1/4" Linking Rods
- (1) 3" Wall Bracket



7009	Wall End Attachment Kit
-------------	--------------------------------

Used at ends when linking single or multiple canopies.

- (1) Locking Clip
- (1) 2-1/4" Linking Rod
- (1) 1-1/2" Wall Bracket

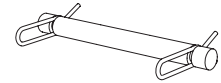


Linking Kits

ITEM #	KIT CONTENTS
7042	Flush Spacing Kit

Links two canopies side-by-side with flush spacing.

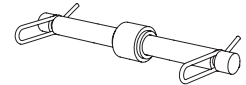
- (2) Locking Clips
- (1) Linking Rod



7043	1/2" Spacing Kit
-------------	-------------------------

Links two canopies side-by-side with 1/2" spacing.

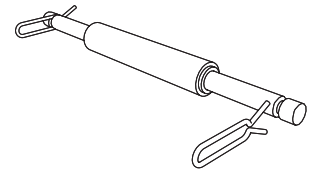
- (2) Locking Clips
- (1) 1/2" Spacer
- (1) Linking Rod



7007	3" Spacing Kit
-------------	-----------------------

Links two canopies side-by-side with 3" spacing.

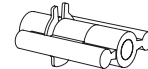
- (2) Locking Clips
- (1) Linking Rod
- (1) 3" Spacer



7044	Single Hinge Linking Kit
-------------	---------------------------------

Links two canopies end-to-end. Two kits typically needed.

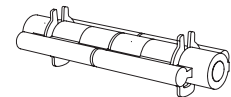
- (1) Left Hinge
- (1) Right Hinge
- (1) Hinge Rod
- (1) Circle Clip



7045	Dual Hinge Flush Linking Kit
-------------	-------------------------------------

Links four canopies together end-to-end and flush side-to-side.

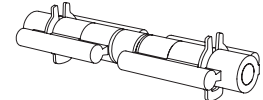
- (2) Left Hinges
- (2) Right Hinges
- (1) Hinge Rod
- (2) Circle Clips



7046	Dual Hinge 1/2" Linking Kit
-------------	------------------------------------

Links four canopies together end-to-end and with 1/2" spacing side-to-side.

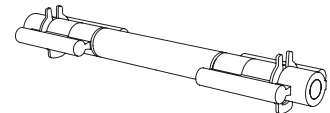
- (2) Left Hinges
- (2) Right Hinges
- (1) Hinge Rod
- (1) 1/2" Spacer
- (2) Circle Clips



7047	Dual Hinge 3" Linking Kit
-------------	----------------------------------

Links four canopies together end-to-end and with 3" spacing side-to-side.

- (2) Left Hinges
- (2) Right Hinges
- (1) Hinge Rod
- (1) 3" Spacer
- (2) Circle Clips



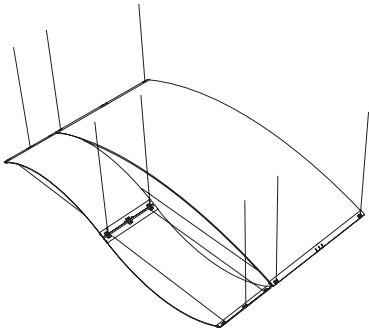
NOTE:

Accessory kits are compatible with all canopy sizes.

If you need assistance identifying what and how many accessory kits are needed for your project, please contact TechLine at 1 877 ARMSTRONG.

Ways You Can Suspend Linked 2' x 5' and 4' x 10' Canopies

To Create: Two Small Canopies and a Large Canopy Linked Side-to-Side



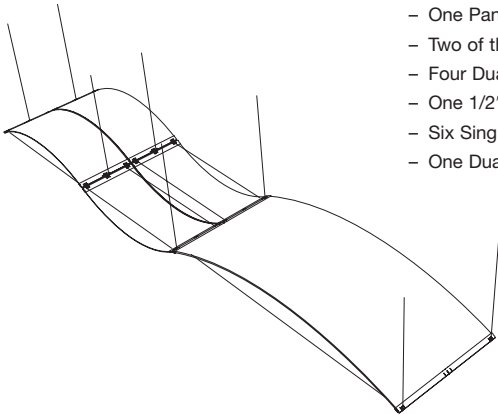
You need:

- Two Panels (2' x 5' installed with a 60° arc)
- One Panel (4' x 10' installed with a 50° arc)
- Three of the same Hanging Kits (7004 or 7005, depending on length)
- Two Dual Canopy Hanging Kits (7041)
- Two of the same Spacing Kits (choose from 7042, 7043 or 7007)
- Two Single Hinge Linking Kits (7044)

NOTE:

You must use 60° arc for the 2' x 5' canopies and a 50° arc for 4' x 10' canopies in this configuration.

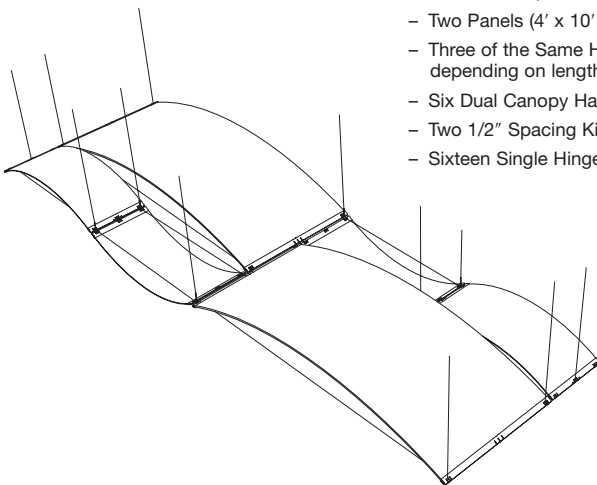
To Create: Four Small Canopies and a Large Canopy Linked End-to-End



You need:

- Four Panels (either 2' x 5' or 2' x 6')
- One Panel (4' x 10')
- Two of the Same Hanging Kits (7004 or 7005, depending on length)
- Four Dual Canopy Hanging Kits (7041)
- One 1/2" Spacing Kit (7043)
- Six Single Hinge Linking Kits (7044)
- One Dual Hinge 1/2" Linking Kit (7046)

To Create: Four Small Canopies and Two Large Canopies in This Configuration



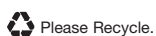
You need:

- Four Panels (2' x 5' installed with a 60° arc)
- Two Panels (4' x 10' installed with a 50° arc)
- Three of the Same Hanging Kits (7004 or 7005, depending on length)
- Six Dual Canopy Hanging Kits (7041)
- Two 1/2" Spacing Kits (7043)
- Sixteen Single Hinge Linking Kits (7044)

NOTE:

You must use 60° arc for the 2' x 5' canopies and a 50° arc for 4' x 10' canopies in this configuration.

Important: There is a different assembly process for these types of configurations. See Section 11 of the Installation Instructions (LA-297055) for details.



Please Recycle.

TechLineSM / 1 877 ARMSTRONG
1 877 276 7876
armstrongceilings.com/infusions
CS-3908-208

U.S. Patents Pending,
including U.S. Publication No. 2004/0182022

© AWI Licensing Company, 2008 • Printed in the United States of America

Armstrong[®]
CEILING SOLUTIONS