

# INFUSIONS® Partitions

## Assembly and Installation Instructions

### 1. GENERAL

Infusions Partitions feature a selection of finishes in translucent 2' x 6' PETG material. Infusions can be suspended individually or joined together side-to-side.

### 2. DESIGN AND INSTALLATION LIMITATIONS

Infusions Partitions panels should always be installed in accordance with all applicable building codes and regulations.

Do not cut holes in or drill through Infusions Partitions panels. Doing so may cause the panel to bend in an irregular fashion.

Do not allow panel to get wet.

**Panels are susceptible to “wicking.” If the panel is placed in a damp or wet area, water may “wick” up through the panel.**

Infusions Partitions panels are not approved for exterior application.

PETG panels can be damaged by exposure to high temperatures. Panel temperature should not be permitted to exceed 100° F. Follow these guidelines for minimum distance from standard light sources:

Lamp Type	Label Wattage	Minimum Distance
Halogen FL XL PAR 30	60	14"
Incandescent Bulb	120	15"
Quartz Halogen Work Light	500	23"

### 3. FIRE PERFORMANCE

Infusions Partitions have been tested according to NFPA 286 and are equivalent to Class A Interior Finish as defined by the International Building Code.

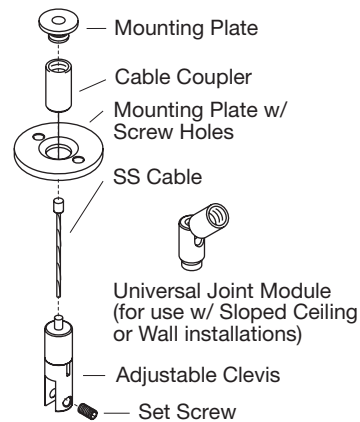
Contact TechLine at 1 877 276 7876, option 1, then 2, then 3, for specific US and Canadian fire performance data.

### 4. PANEL KIT CONTENTS

Each kit includes a panel, a Partitions hanging kit, and a floor attachment kit.

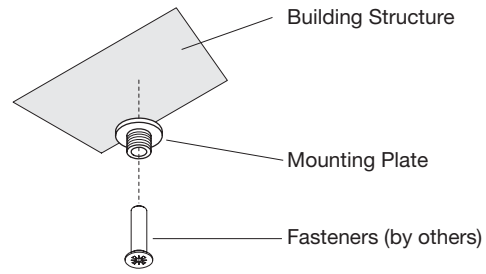
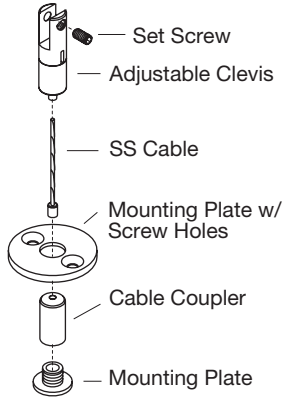
#### 4.1 Partitions Hanging Kit Contents:

- (2) Mounting Plate
- (2) Universal Joint Module
- (2) Hollow Stud – inserted in UJM above
- (2) Cable Coupler
- (2) Mounting Plate w/ Screw Holes
- (2) 1/16" x 180" SS Cable – barrel end terminal 1 end
- (2) Adjustable Clevis
- (2) Dog Point Set Screws
- (1) Allen Wrench

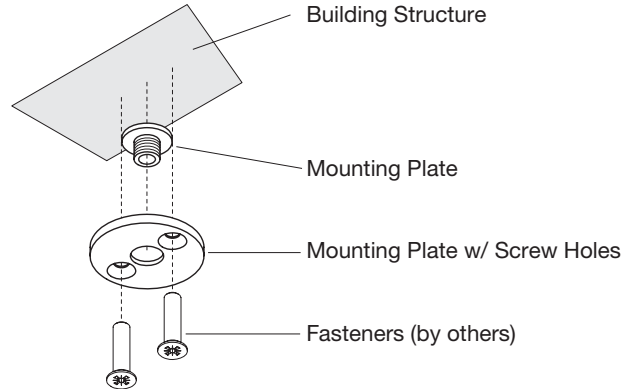


**4.2 Floor Attachment Kit Contents:**

- (2) Adjustable Clevis
- (2) Dog Point Set Screws
- (2) Nylon Tipped Set Screws
- (2) 1/16" x 48" SS Cable – barrel end terminal 1 end
- (2) Mounting Plate w/ Screw Holes
- (2) Cable Coupler
- (2) Mounting Plate
- (1) Allen Wrench



**5.2.2 Mounting Plate with Two Screw Holes**



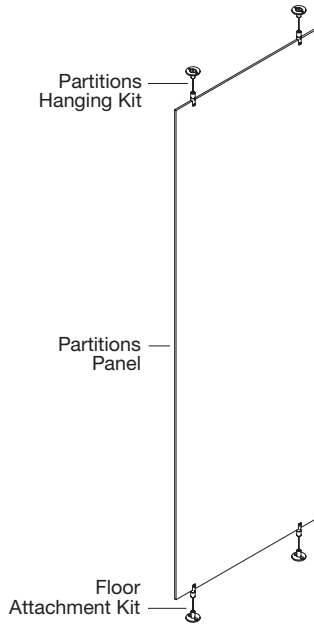
**5. INSTALLING PANELS**

The International Building Code requires the attachment of free floating architectural components to be sized for three times the design load.

**NOTE:** Use fasteners that are appropriate for the selected substrate that will support at least 88 pounds each.

**5.1 Panel Layout**

Determine the exact panel location for installation. The suspension cables are located 3" in from each side of the panel. Suspension cables must be vertical. Use a plumb bob or laser to locate the structure and floor suspension points. When installing multiple panels, accurate layout is important for final panel alignment.



This option is used for a larger mounting plate visual, when two fasteners are needed to carry the load or wall installations.

Insert the cable into the cable coupler, next thread the cable coupler onto the Mounting plate and tighten. Feed this cable assembly through the mounting plate with two holes. Secure the Mounting plate with two holes to structure using the appropriate fastener.

**5.2.3 Below or Through an Existing Ceiling**

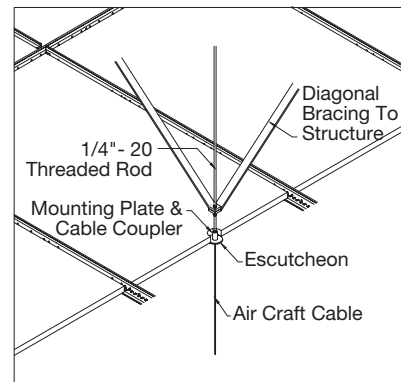
It is recommended that the mounting plate be installed directly above or below an existing ceiling so the suspension cable does not cut the ceiling panels. Use blocking or rigid structural support to fasten the Partition panel mounting plate at the desired location. When the mounting plate is above the ceiling panel use an escutcheon plate (7006 Escutcheon kit) on the cable at the ceiling surface.

**5.2 Attach the Upper Mounting Plate to Structure**

There are several options for attaching the mounting plate to structure. Use the best option for your installation.

**5.2.1 Direct-Attach to Structure**

Use the appropriate fastener up through the center of the mounting plate to secure to structure. The head of the fastener must be less than 3/8" (This method does not use the mounting plate with screw holes) **NOTE:** The mounting plate has 1/4"-20 NC internal threads that may be used to attach to structure or support.

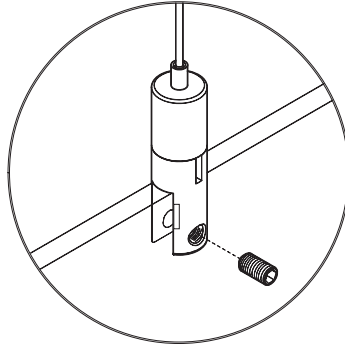


### 5.3 Attach Cables to the Mounting Plate

Feed the cable end through the hole in the cable coupler until the ball on the end is captured in the coupler. Next, thread the coupler onto the mounting plate and tighten. Do not cut off the factory end of the cable until the panel is hung.

### 5.4 Attach the Adjustable Clevis to the Panel

You are now ready to attach the hardware to the panel. Peel back and remove the protective film from the panel. Back out the dog point set screw in the adjustable clevis. Place the adjustable clevis over the panel so the hole in the connector (with the dog point set screw) lines up with the hole in the panel. Turn the dog point set screw into the hole in the panel. Do not over-tighten! Run the dog point set screw into the hole in the panel until it just touches the other leg of the connector. Attach all four adjustable clevis to the partition panel. **NOTE:** Attach all hardware with the dog point set screw on the same side of the panel.



### 5.5 Hanging the Partitions Panel

When the cables are suspended from the structure, and the adjustable clevis is attached to the panel, you are ready to hang the partition panel.

Feed the cable end into the nipple on the adjustable clevis and push it through until the end comes out the side. Repeat this process for the second cable. Take the weight off of the cables and pull the cables through the adjustable clevis while raising the panel until the panel is at the desired height. If you raise the panel too far, take the weight off the cable, depress the nipple on the adjustable clevis and let the cable slip back through the connector.

### 5.6 Attach the Lower Mounting Plate to the Floor

Use a plumb bob or laser to determine the exact location of the lower mounting plate. Follow step 5.2.1 or 5.2.2 to attach the mounting plate to the floor. Attach cable and cable coupler to mounting plate.

Feed the cable end into the nipple on the bottom adjustable clevis and push it through until the end comes out the side. Repeat this process for the second cable. Pull the cable until it is snug and prevents the panel from swinging.

Make final adjustments for panel alignment and then cut off excess cable at all four adjustable clevis connectors.

### 5.6 Attach the Lower Mounting Plate to the Floor

Use a plumb bob or laser to determine the exact location of the lower mounting plate. Follow step 5.2.1 or 5.2.2 to attach the mounting plate to the floor. Attach cable and cable coupler to mounting plate.

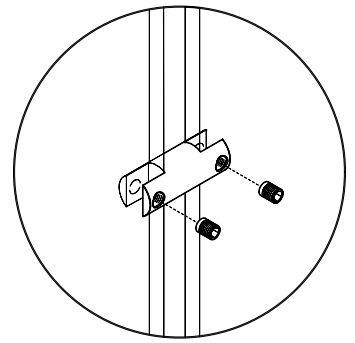
Feed the cable end into the nipple on the bottom adjustable clevis and push it through until the end comes out the side. Repeat this process for the second cable. Pull the cable until it is snug and prevents the panel from swinging.

Make final adjustments for panel alignment and then cut off excess cable at all four adjustable clevis connectors.

### 5.7 Side-to-Side Joined Partitions

Use the joining kit for panel alignment when multiple panels are suspended side to side.

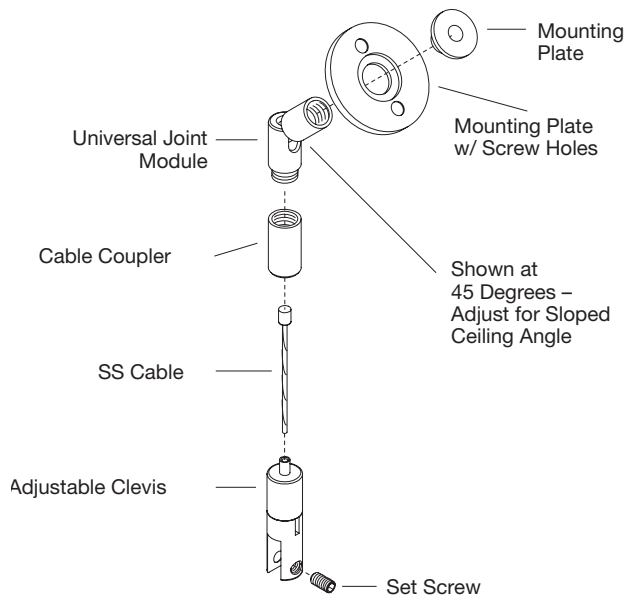
The kit consists of three clamps that will space the panel 5/8" apart. When doing the layout for joined panels the on center spacing will be 24-5/8". Three clamps are spaced between adjoining panels, typically 3" from top, mid-panel and 3" from the bottom. The clamps have two set screws with nylon tips.



Position clamps on one panel and tighten the set screw until the nylon tip is snug against the panel. Fit the adjoining panel into the clamps, align the panels and snug the set screws. These clamps are for panel alignment and do not provide suspension support.

### 5.8 Sloped Ceiling Installation

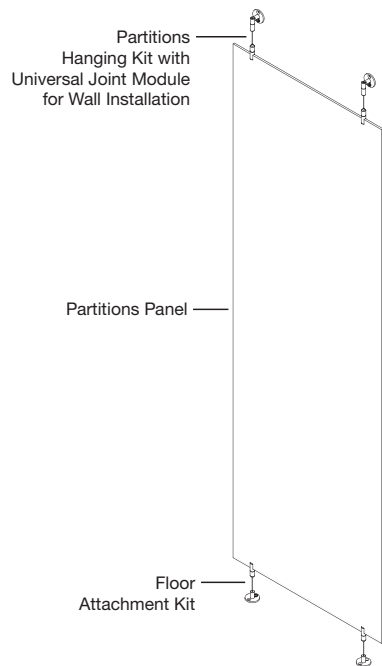
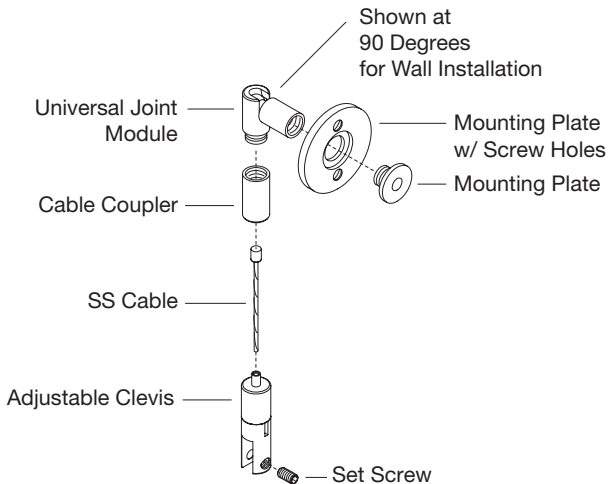
Use the universal joint module to attach the cable coupler to the mounting plate for sloped ceilings. This is required because the cable coupler must be in line with the cable and adjustable clevis.



Determine the location of the mounting plate. Follow step 5.2.1 or 5.2.2 to securely attach the mounting plate to structure. Next, thread the universal joint module to the mounting plate and tighten. The cable coupler and cable can now be threaded to the brass insert of the universal joint module. Follow section 5.5 to install the panels.

## 5.9 Wall Installation

Panels can be suspended from a wall using the universal joint module.



Determine the location of the mounting plate. Due to the lateral load on the mounting plate, we recommend using the mounting plate with two screw holes, section 5.2.2, to securely attach the mounting plate to structure. Next, thread the universal joint module to the mounting plate and tighten. The cable coupler and cable can now be threaded to the brass insert of the universal joint module. Follow section 5.5 to install the panels.

## 6. GENERAL CLEANING RECOMMENDATIONS

Avoid wiping the panel surfaces with abrasive compounds of any type.

Panels should be handled with clean gloves/hands to avoid fingerprints.

Static charges that may build up after removing protective masking can be removed by wiping the sheet with a cloth dampened with water.

Lightly dust with a duster or soft, clean cloth first. Keep the cleaning cloth free of grit.

**CAUTION: Do not allow panel edges to get wet when cleaning the panel surface. This would damage the panel and void the product warranty.**

## MORE INFORMATION

For more information, or for an Armstrong Ceilings representative, call 1 877 276 7876.

For complete technical information, detail drawings, CAD design assistance, installation information, and many other technical services, call TechLine customer support at 1 877 276 7876 or FAX 1 800 572 TECH.

For the latest product selection and specification data, visit [armstrongceilings.com/infusions](http://armstrongceilings.com/infusions).

Inspiring Great Spaces® is a registered trademark of AFI Licensing LLC  
All other trademarks used herein are the property of AWI Licensing LLC and/or its affiliates

© 2018 AWI Licensing LLC • Printed in the United States of America

BPLA-297718-218

**Armstrong**<sup>®</sup>  
CEILING SOLUTIONS