



**ACOUSTICAL
& DRYWALL
LINEAR LIGHTING**

INTEGRATED LIGHTING SOLUTIONS

design freedom



Ultima® Beveled Tegular 24" x 24" panels with Silhouette® 1/4" reveal 9/16" suspension system and 4" linear light fixtures



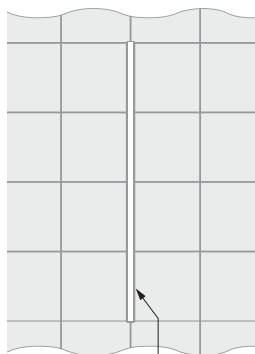
Armstrong® Ceiling Solutions, Axis, and XAL Lighting are making it easier than ever to create inspiring ceiling designs with higher ceiling heights, zero plenum interference, and on-center continuous or non-continuous layouts that provide clean, modern aesthetics.

Our integrated acoustical and drywall design allows the new high performance luminaires to install from below to eliminate ceiling rework when specified with factory finished Armstrong® ceiling systems, Armstrong® drywall grid, and ACOUSTIBuilt™ seamless acoustical ceilings.

ACOUSTICAL ON-CENTER LINEAR LIGHTING

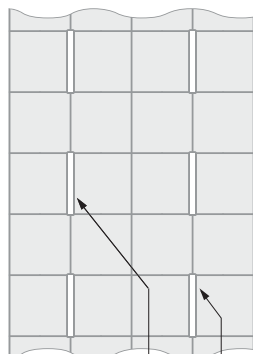
The XAL and Axis luminaires integrate with Armstrong® suspension systems to provide:

- Continuous or Non-continuous On-Center Linear Lighting Layouts – inspiring symmetry to match your building design
- Zero Interference – eliminates interference with mechanicals in the plenum
- Zero Construction Coordination – install from below to speed construction and keep consistent finish
- Zero Independent Suspension – no independent suspension is required; approved for Seismic D, E, F installations
- Verified Lighting Parametrics and Visuals – high performance, energy efficient LED lighting for any space



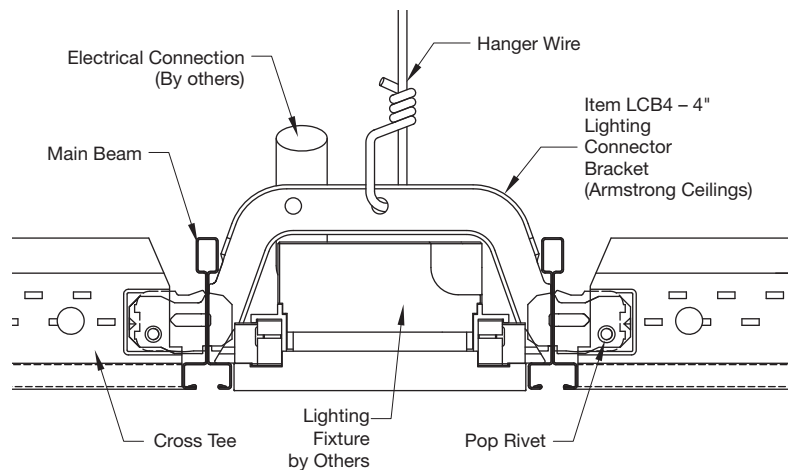
4" opening for Axis or XAL linear light fixture placement

CONTINUOUS



4" opening for Axis or XAL linear light fixture placement

NON-CONTINUOUS



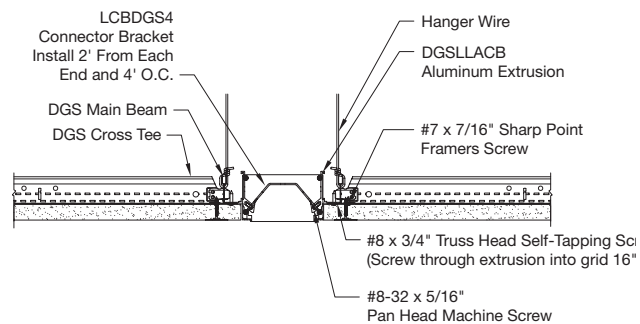
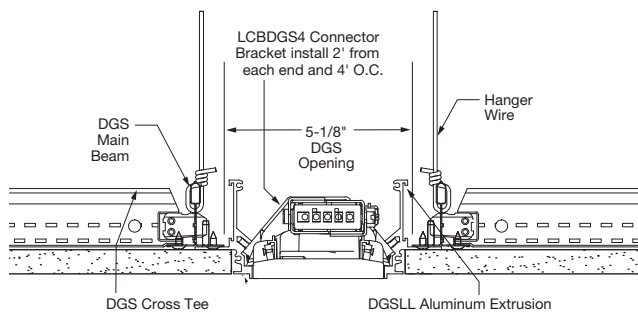
PERFECT INTEGRATION

PERFECT SYMMETRY

DRYWALL AND ACOUSTIBuilt™ LINEAR LIGHTING

XAL and Axis luminaires integrate with Armstrong Drywall Grid and ACOUSTIBuilt™ seamless acoustical drywall systems to provide:

- Seamless integration between linear lighting and drywall or AcoustiBuilt™ seamless acoustical systems – for consistent fit and finish
- Leverage LED in long runs to create a monolithic look – varying length and on-center spacing true to design intent
- Faster and easier to build and install compared to traditional framed linear lighting
- Light fixture installs from below ceiling to optimize ceiling heights



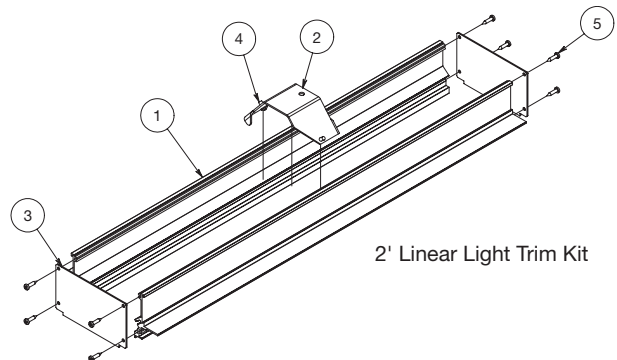
DRYWALL

TRIM KIT COMPONENTS INCLUDED

1. Aluminum Extrusions (2)
2. Connector Bracket (varies)
3. End Plates (2)
4. #8-32 x 5/16" Pan Head Machine Screws
5. #6-20 x 5/8" Pan Head Sharp Point Screws

*Refer to the Drywall/Stucco/Plaster – Flat Ceilings Data Page (BPCS-3081) to view additional components needed.

ACOUSTIBuilt™



Using a combination of FastSize™ factory finished ceiling panels and suspension systems, linear lighting layouts like this are easy to specify and install.

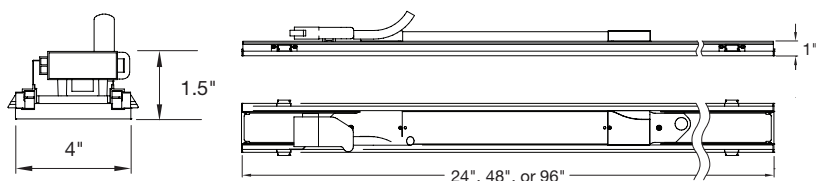
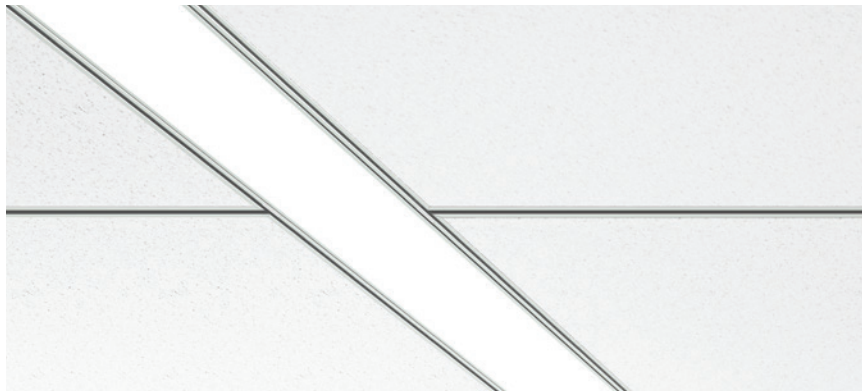


ON-CENTER LIGHTING MADE EASY

LENO Zero Plenum Luminaire

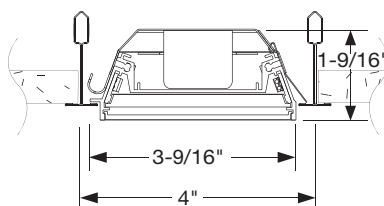
The ultra-thin XAL LENO or Axis Click Zero Plenum luminaire installs from below and features:

- High output, energy efficient LED lighting for any space
- High performance opal cover for uniform illumination and enhanced glare control
- Extruded aluminum fixture design
- White powder coated finish
- Integrated plug and play electrical connections
- Choice of light outputs to achieve any desired light level



XAL

For detailed lighting information, contact your local XAL lighting representative or visit XALUSA.com



axis

For detailed lighting information, contact your local Axis lighting representative or visit axislighting.com

TAKE THE NEXT STEP

1 877 276 7876

Customer Service Representatives
7:45 a.m. to 5:00 p.m. EST Monday through Friday

TechLine – Technical information, detail drawings,
CAD design assistance, installation information,
other technical services – 8:00 a.m. to 5:30 p.m. EST,
Monday through Friday. FAX 1 800 572 8324
or email: techline@armstrongceilings.com

You Inspire™ Solutions Center
email: solutionscenter@armstrongceilings.com
armstrongceilings.com/youinspire

you inspire™
solutions center

helping to bring your one-of-a-kind ideas to life

armstrongceilings.com/commercial

Latest product news
Standard and custom product information
Online catalog
CAD, Revit®, SketchUp® files
A Ceiling for Every Space® Visual Selection Tool
Product literature and samples – express service
or regular delivery
Contacts – reps, where to buy, who will install

SketchUp® is a trademark of Trimble Navigation Limited; Revit® is a registered trademark of Autodesk, Inc.
All other trademarks used herein are the property of AWI Licensing LLC and/or its affiliates
© 2020 AWI Licensing LLC • Printed in the United States of America

armstrongceilings.com/linearlighting

Armstrong®
CEILING SOLUTIONS