

# METALWORKS™ Clip-on

smooth texture



**SUSTAIN™**  
High Performance  
Sustainable  
Ceiling Systems



**FAST 134**  
Select Items Ship Fast  
[armstrongceilings.com/fast134](http://armstrongceilings.com/fast134)



MetalWorks Clip-on 2' x 8' panels in Sequels – La Jolla Oak

## CREATE!™

CUSTOM PERFORATIONS



Art and acoustics blend with MetalWorks™ Create!™ custom perforated panels. More at: [armstrongceilings.com/metalworkscree](http://armstrongceilings.com/metalworkscree)

plus capabilities  
to do more



[armstrongceilings.com/capabilities](http://armstrongceilings.com/capabilities)  
See more photos at:  
[armstrongceilings.com/photogallery](http://armstrongceilings.com/photogallery)

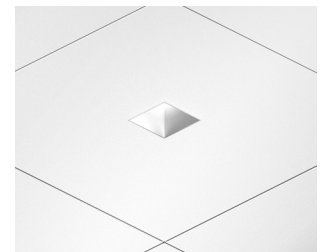
Easy-to-install, downward-accessible panels are perfect for renovations.

### KEY SELECTION ATTRIBUTES

- Sequels™ pre-coat finishes offer 4 standard wood looks that are available FAST, including downlight panels
- Also available in 17 standard Effects™ wood-look finishes
- CleanAssure™ family of products – includes disinfectable panels, suspension systems, and trim
- Sustainable Beyond Standard: Select standard and custom panels are part of the Sustain™ portfolio, and meet the most stringent industry sustainability compliance standards today
- MetalWorks™ FASTPeel™ panels feature an easier-to-remove protective film
- Select products included in the FAST134 program – ready to ship in 4 weeks or less
- Transform your images onto custom perforated MetalWorks™ Create!™ ceiling and wall panels for a unique aesthetic visual with acoustical performance
- Great for renovations – transform spaces with existing 15/16" suspension quickly and easily
- 24" x 24" and 24" x 48" standard sizes; custom sizes available up to 24" x 48"
- Fixture frames provide a clean, finished look
- NRC values up to 0.90 with fiberglass infill panels
- This product can be adjusted to comply with Build America, Buy America (BABA) requirements. Modifications to pricing and lead times may apply. Contact your local sales representative for additional information.



*Now, Lighting  
Integration  
Made Easy*



**DOWNLIGHTING:** MetalWorks Clip-on with coordinating USAI Lighting trimless downlight fixture. Integration details at [armstrongceilings.com/downlighting](http://armstrongceilings.com/downlighting)

# METALWORKS™ Clip-on

smooth texture



RECYCLED CONTENT

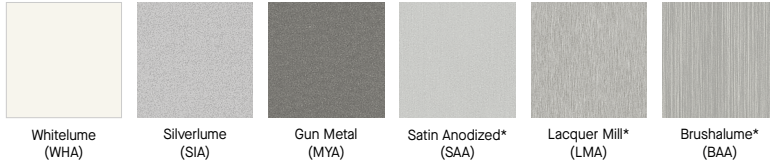
LEED V5

UP TO 15%

COMMON MATERIALS FRAMEWORK		Climate Health	EPD
Human Health	Declare Label HPD	Ecosystem Health	EPD
	3rd Party CDPH	Circular Economy	✓
OCCUPANT EXPERIENCE		Acoustics	✓

STANDARD COLORS & FINISHES Due to printing limitations, shade may vary from actual product.

**Painted**



**Sequels™**  
Pre-coated Coil, Fast Lead Time



**Effects™ Classic**  
Dye-Sublimation



**Effects™ Bold**  
Dye-Sublimation

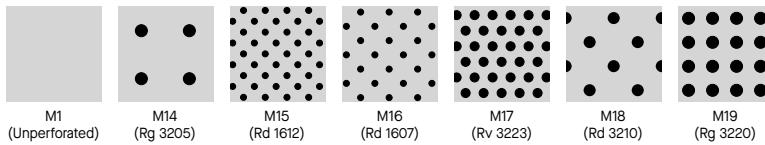


**Effects™ Subtle**  
Dye-Sublimation



Effects finishes are standard in 24" × 48" with 1/4" reveal panels in M1 and M16.  
Contact AS Quote for custom size and perforation options.  
\* Not part of the Sustain™ portfolio

STANDARD PERFORATION OPTIONS (1:2 scale shown)



CUSTOM COLORS & FINISHES Due to printing limitations, shade may vary from actual product.



For custom options contact ASQuote,  
ASQuote@armstrongceilings.com

PERFORATION OPTIONS



# METALWORKS™ Clip-on

smooth texture



Declare.

RECYCLED CONTENT

UP TO 15%

LEED V5

COMMON MATERIALS FRAMEWORK

Human Health **Declare Label HPD**  
3rd Party CDPH

Climate Health

Ecosystem Health

Circular Economy

Acoustics

EPD

EPD

✓

✓

**VISUAL SELECTION** Contact ASOrder@armstrongceilings.com for custom options.

	Item No. ♦	Dimensions (Inches) W x L x H Custom Sizes Available
METALWORKS™ Clip-on Butt Joint	7110_-----	24 x 24 x 1"
	7111_-----	24 x 48 x 1"
1/8" Reveal	7140_-----	24 x 24 x 1"
	7141_-----	24 x 48 x 1"
1/4" Reveal	7154_-----	24 x 24 x 1"
	7155_-----	24 x 48 x 1"

**PERFORMANCE** Dots represent high level of performance.

Fire Performance	Light Reflect	CleanAssure™ Disinfectable Panels		
		Fog	Spray	Wipe
Class A	0.73	•	•	•
Class A	0.73	•	•	•
Class A	0.73	•	•	•
Class A	0.73	•	•	•
Class A	0.73	•	•	•
Class A	0.73	•	•	•

**ACOUSTICAL INFORMATION**

Perforation		NRC with acoustical fleece	NRC with 1" fiberglass infill*
M1	Unperforated	-	-
M14	Rg 3205	0.55	0.60
M15	Rd 1612	0.70	0.90
M16	Rd 1607	0.70	0.75
M17	Rv 3223	0.75	0.75
M18	Rd 3210	0.65	0.75
M19	Rg 3220	0.75	0.90

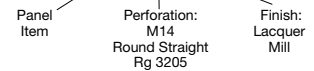
**FAST**  
4 WEEKS  
or Less

FAST134 program items ready to ship from manufacturer in 4 weeks or less. Up-to-date lead times and product options (sizes and colors) at [armstrongceilings.com/fast134](http://armstrongceilings.com/fast134)

♦ When specifying or ordering, include appropriate perforation and color suffix (e.g., 7110 M1 L M A) with item number. NOTE: Light reflectance is only for unperforated Whitelume.

\* Maximum NRC achieved with acoustical infill (Item 8200T10).

EXAMPLE: **7110 M14 LMA**



METALWORKS™ – Standard

# METALWORKS™ Clip-on

smooth texture



Declare.

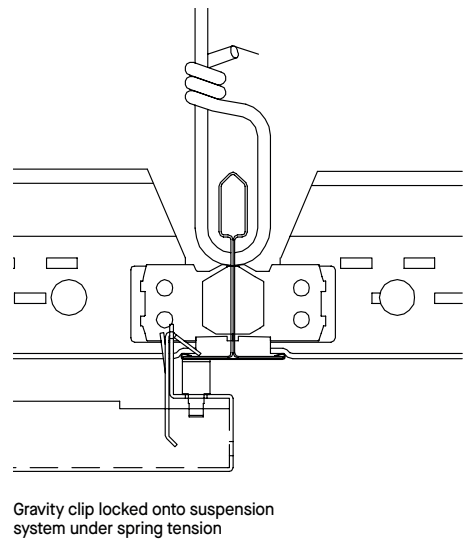
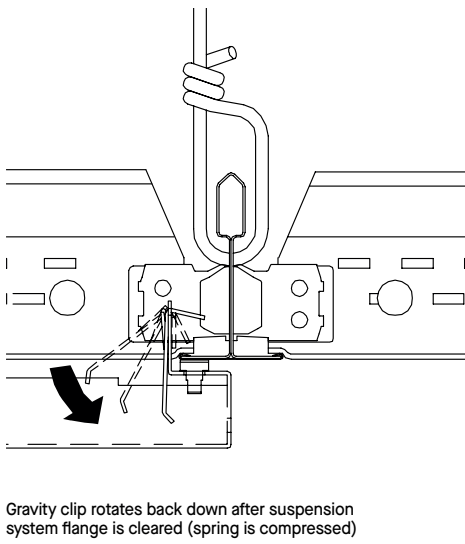
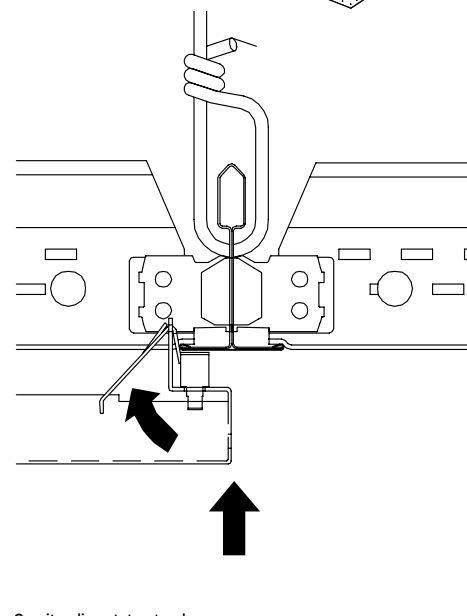
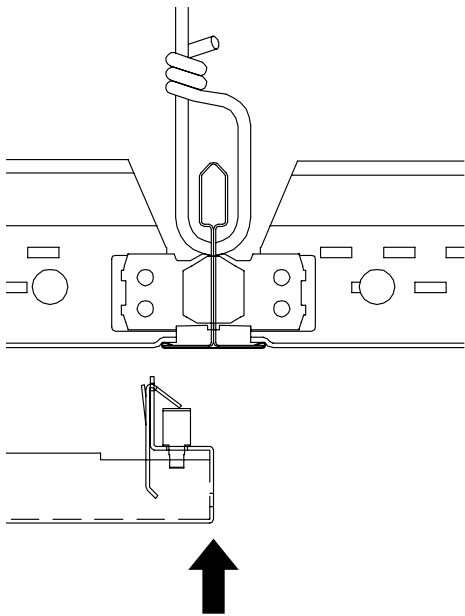
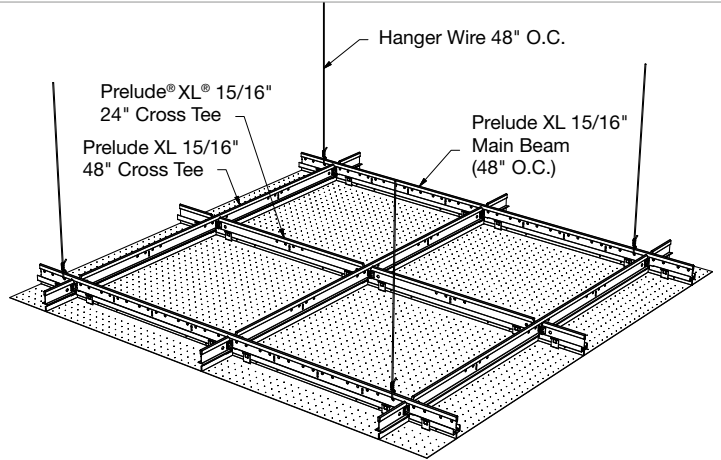
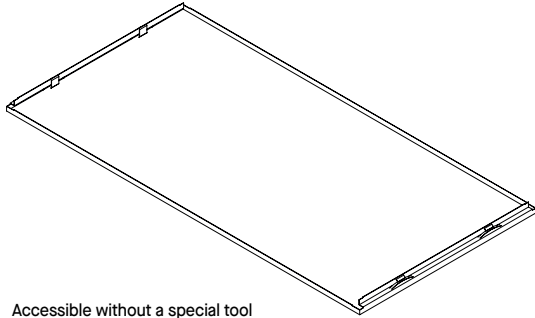
RECYCLED CONTENT

UP TO 15%

LEED V5

COMMON MATERIALS FRAMEWORK		Climate Health	EPD
Human Health	Declare Label HPD	Ecosystem Health	EPD
	3rd Party CDPH	Circular Economy	✓
OCCUPANT EXPERIENCE		Acoustics	✓

## INSTALLATION DETAILS



TechLine 877 276-7876  
armstrongceilings.com/mwclipon

**Armstrong®**  
World Industries



METALWORKS™ - Standard

# METALWORKS™ Clip-on

smooth texture



Declare.

RECYCLED  
CONTENT

UP TO  
**15%**

LEED V5

COMMON MATERIALS FRAMEWORK

Human Health **Declare Label**  
HPD  
3<sup>rd</sup> Party CDPH

Climate Health

Ecosystem Health

Circular Economy

Acoustics

EPD

EPD

✓

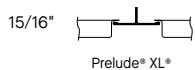
✓

ACCESSORIES Visit [armstrongceilings.com/mwaccessories](http://armstrongceilings.com/mwaccessories) for coordinating color recommendations

Item No. ◆	Description	Dimensions (Inches) Nominal W x L x H	Color	Pieces/ Carton
7112 _ _ _	Box Molding	1 × 96 × 1"	WHA, SIA, MYA, SAA, LMA, BAA	10
7113	Spreader Hold Down	1 × 10-5/8 × 1"	N/A	40
7119 _ _ _	Fixture Frame	24" × 24"	WHA, SIA, MYA, SAA, LMA, BAA	1
7120 _ _ _	Fixture Frame	24" × 48"	WHA, SIA, MYA, SAA, LMA, BAA	1
7223 _ _ _	Perimeter Trim	1 × 96 × 4-1/4"	WHA, SIA, MYA, SAA, LMA, BAA	10
5823	BioAcoustic™ Infill Panel	24 × 24 × 5/8"	Black	12
8200T10	1" Fiberglass Infill Bag	24 × 24 × 1"	Black (Gloss)	12

◆ When specifying or ordering, include the appropriate color code with the item number (e.g. 7131 L M A)

## SUSPENSION SYSTEMS



## PHYSICAL DATA

### Material

Aluminum – thickness 0.040"

### Surface Finish

Painted: Factory-applied polyester paint

Effects: Powder-coated, dye-sublimation, post-production

Sequels™: Pre-coated coil

Custom colors also available.

Custom Sequels finishes are available for orders 10,000 SF or larger.

### Fire Performance

Painted, Effects and Sequels finishes:

Class A: ASTM E84, Flame Spread Index 25 or less. Smoke Developed Index 50 or less.

Painted aluminum finishes CAN/ULC S102 surface burning characteristics: Flame Spread Rating 25 or less. Smoke Developed Classification 50 or less.

### Acoustical Options

Perforated panels are supplied with a black fiberglass fleece to absorb sound.

### Recycled Content

Up to 16%.

### Design Considerations

Panel face sits 1" lower than the suspension system. Some light, sprinklers, and other components may need to be height-adjusted when retrofitting.

Panels have a directional finish; follow direction arrows printed on the protective film.

Anodized, Lacquer Mill, and pre-coat finishes may vary in shade between production runs as well as over time. Sizes can be mixed and matched on non-perforated panels only.

Butt joint panels are recommended if the suspension system is not coordinated with the panel color.

MetalWorks steel and aluminum panels are made at different manufacturing facilities that use different paint systems.

Because of this, similar colors, i.e., White and Whitelume, are not exact color matches. Please consider this when designing adjacent spaces with multiple MetalWorks products.

On pre-coated finishes, clarity of image is best on flat surfaces. Pattern repeat may occur. Product is dyelotted. Due to potential color variation, be certain to order sufficient initial quantities and attic stock.

### Installation Considerations

Ensure suspension is level and square, whether using existing or new suspension system.

Panels with certain product finishes, e.g., Effects™ and Natural Reflections, are not MetalWorks™ FASTPeel™ panels and will be protected by other means for packaging and handling purposes.

### Seismic Restraint

MetalWorks Clip-on panels have been engineered, tested, and approved for application in all seismic areas when installed per Armstrong Ceilings installation instructions.

### Design Support

For custom design assistance contact ProjectWorks® Design Services or visit [armstrongceilings.com/projectworks](http://armstrongceilings.com/projectworks)

### Cleaning and Disinfecting

Cleaning and CDC-approved disinfecting options available on [armstrongceilings.com/cleaning](http://armstrongceilings.com/cleaning)

### FAST134 Program Considerations

Size of Job Matters: Big jobs, over 2500 SF or 50 pieces for shapes/vertical elements will have longer lead times.

Location Matters: Transit time not included. We are ready to ship in 1 week on FAST1 items. However, transit to the states west of Wyoming may add time.

Distributor Truck Schedule Matters: We rely on distribution to help move products around the country. When speed matters, work with your local distributor to ensure FAST134 service.

Stock vs Made-to-order Matters: FAST3 & FAST4 items are made-to-order and will ship direct to distributor. FAST1 (stocked items) will go through distribution and depend on distributor truck schedules.

### Warranty

One (1) Year Limited Warranty. Details at [armstrongceilings.com/warranty](http://armstrongceilings.com/warranty)

### Weight

0.75 lbs/SF

TechLine 877 276-7876

[armstrongceilings.com/mwclipon](http://armstrongceilings.com/mwclipon)

**Armstrong®**  
World Industries



METALWORKS™ – Standard

# LIGHTING SOLUTIONS METALWORKS™ Clip-on

Center-cut Panels for Recessed Downlighting  
smooth texture



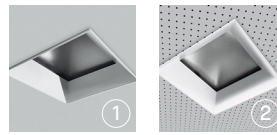
MetalWorks Clip-on 24" x 24" center-cut downlight panels in Sequels – Cape May Cherry

Pre-cut durable, metal ceiling panels are designed to seamlessly integrate with trimless downlights. Perfectly centered fixtures, perfectly cut tiles—every time.

## KEY SELECTION ATTRIBUTES

- Perfectly centered USAI® Lighting fixtures for flush fit visual
- Coordinating fixture colors available for all standard downlight finishes
- Time and labor savings solution - downlight fixtures are fully adjustable within the system so there is no cutting, no mess, and no need to remove panels
- Entire system helps contribute to healthier spaces, part of CleanAssure™ portfolio
- Pre-cut Clip-on downlight panels available in FAST134 program
- Pre-engineered and tested for fit and finish in all seismic areas
- For offset factory-cut panels, contact ASQuote@armstrongceilings.com. Custom grid layouts are possible depending on lighting layout.

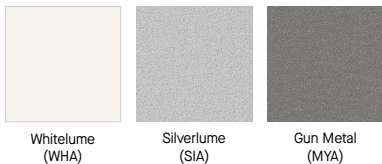
## DETAILS



1. M1 panel with USAI Lighting trimless BeveLED® square downlight
2. M16 panel with USAI Lighting trimless BeveLED square downlight

**COLORS** Due to printing limitations, shade may vary from actual product.

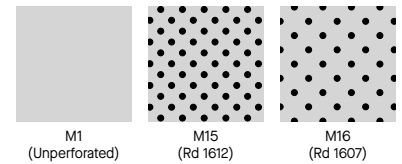
### FAST134 Painted



### FAST134 Sequels™ Pre-coated Coil, Fast Lead Time



### PERFORATION OPTIONS (1:2 scale shown)



\* Not part of the Sustain™ portfolio

## VISUAL SELECTION

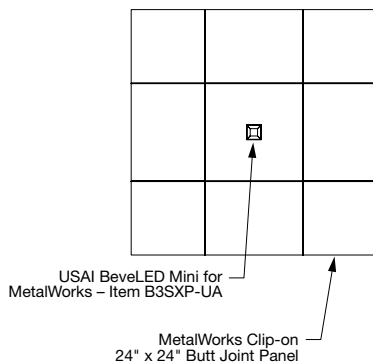
	MetalWorks Clip-on Panel Item No.	Panel Description	USAI Fixture Dimension (Nominal)	Coordinating USAI Fixture Family	Coordinating USAI Fixture Part No.	USAI Grid Mounting Bars Item No.
<p>METALWORKS Clip-on Butt Joint</p>	7110__CO3 ____	24 x 24 x 1"	3.5" Square Downlight	BeveLED® Mini for MetalWorks	B3SXP-UA	UA2
	7110__CO4 ____	24 x 24 x 1"	5" Square Downlight	BeveLED® 2.2 for MetalWorks	B4SXP-UA	UA2
	7111__CO3 ____	24 x 48 x 1"	3.5" Square Downlight	BeveLED Mini for MetalWorks	B3SXP-UA	UA2 or UA4
	7111__CO4 ____	24 x 48 x 1"	5" Square Downlight	BeveLED 2.2 for MetalWorks	B4SXP-UA	UA2 or UA4

**FAST**  
4 WEEKS  
or Less

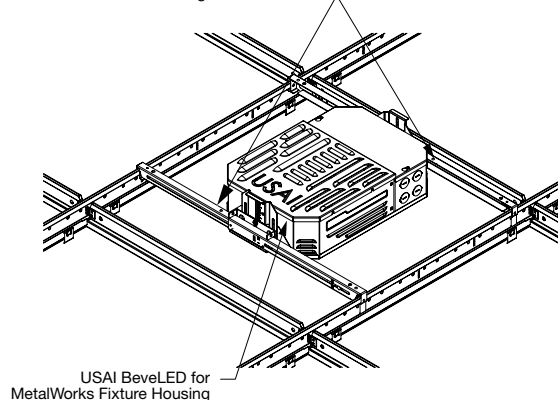
FAST134 program items ready to ship from manufacturer in 4 weeks or less.  
Up-to-date lead times and product options (sizes and colors) at [armstrongceilings.com/fast134](http://armstrongceilings.com/fast134)

NOTE: Refer to lighting partner cut sheets for light location considerations. For Clip-on downlight item numbers, add the perforation following the base item number, and then add the 3- or 4-digit finish code. (ie: 7110 M15 C 0 3 S 1 A)

## INSTALLATION DETAILS



## USAI Grid Mounting Bars Item UA2



## LIGHTING FIXTURES

Compatible with USAI Lighting BeveLED 2.2 and BeveLED Mini MetalWorks fixture families.

**USAI**  
Lighting

For detailed lighting information, contact your local USAI representative or visit [usailighting.com/metalworks](http://usailighting.com/metalworks) for more information.

TechLine / 877 276-7876  
[armstrongceilings.com/downlighting](http://armstrongceilings.com/downlighting)  
BPCS-4788-226

USAI® and BeveLED® are registered trademarks of USAI, LLC; LEED® is a registered trademark of the U.S. Green Building Council; WELL™ and WELL Building Standard™ are trademarks of the International WELL Building Institute; all other trademarks used herein are the property of AWI Licensing LLC and/or its affiliates © 2026 AWI Licensing LLC

**Armstrong®**  
World Industries

METALWORKS™ - Standard

