

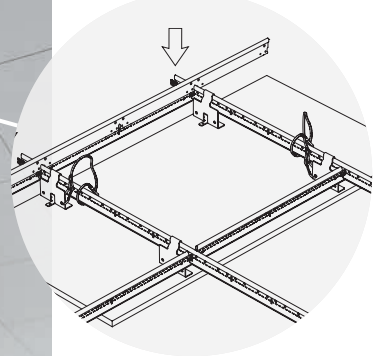
METALWORKS™ Concealed

smooth texture

CAD/Revit® drawings at:
armstrongceilings.com



MetalWorks™ Concealed 48" x 96" panels in Silver Grey



See more photos at:
armstrongceilings.com/photogallery
SEARCH: metalworks concealed

Large-size panels with concealed suspension are 100% accessible.

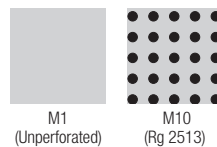
KEY SELECTION ATTRIBUTES

- Narrow 1/4" reveal offers clean, monolithic look
- Hook-on panels provide safe and secure downward accessibility
- Create continuous look or use with clouds and perimeter trim
- Lightweight panels install with standard 15/16" suspension system
- Complete standard system from one manufacturer

COLORS Due to printing limitations, shade may vary from actual product.



PERFORATION OPTIONS (1:2 scale shown)



METALWORKS™ Concealed

smooth texture

UP TO **85%** RECYCLED CONTENT

For LEED contribution contact TechLine

LEED®

- energy management
- construction waste mgmt
- regional materials
- design for flexibility
- EPD
- recyclable/extended producer resp.
- bio-based materials
- recycled content
- sourcing of raw materials
- material ingredient reporting
- low emitting materials
- lighting quality
- acoustics

VISUAL SELECTION

Edge Profile	Item No. ◆	Dimensions (Inches) W x L x H	Perforations
METALWORKS™ Concealed			
1/4" Reveal	6664 _ _ _ _ _	24 x 96 x 5/8"	M1; M10
	6665 _ _ _ _ _	24 x 120 x 5/8"	M1; M10
	6666 _ _ _ _ _	48 x 48 x 5/8"	M1; M10
	6667 _ _ _ _ _	48 x 96 x 5/8"	M1; M10
	6668 _ _ _ _ _	48 x 120 x 5/8"	M1; M10

◆ When specifying or ordering, include the appropriate perforation and color suffix with the item number (e.g., 6664 **M1 M.Y.**)

PERFORMANCE

Dots represent high level of performance.

Light Reflect	Wash	Scrub	Impact	Soil
(White Only)	Durability			
0.77 (M1)	•	•	•	•
0.77 (M1)	•	•	•	•
0.77 (M1)	•	•	•	•
0.77 (M1)	•	•	•	•

ACOUSTICAL INFORMATION

Perforation	NRC
M1	N/A
Unperforated	
M10	0.80 / 0.90†
Rg 2513	•

Maximum NRC and CAC achieved with acoustical infill options. For additional Infill options, refer to Pg. 140.
 † With BioAcoustic™ infill item 5479. NRC of 0.90 with fiberglass infill 8200100, NRC 0.80 as sold.

EXAMPLE: **6664 M10 SG**

Panel Dimension/Type: 24" x 96"

Perforation: M10

Finish: Silver Grey

ACCESSORIES

Item No. ◆	Description	Dimensions (Inches)	Color	Pieces/Carton
6656M1 _ _	MetalWorks™ Concealed Trim	6" x 120"	WH, SG, MY	6
7842A _ _	Slip-on Molding	1/2 x 120 x 5/8"	WH, SG, MY	40
FXTBC	T-bar Connector Clip	—	—	10
FX4SPICE	Splice Plate with Set Screws	—	—	10
8200100	Fiberglass Infill Panel	24 x 24 x 1"	Black (Gloss)	12
5823	BioAcoustic™ Infill Panel	24 x 24 x 5/8"	Black	12
5479	BioAcoustic™ Infill Panel	24 x 24 x 5/8"	Beige	12
7239	Adjustable Trim Clip	—	N/A	50

NOTE: Adjustable Trim Clip used with standard Axiom or MetalWorks Trim systems.

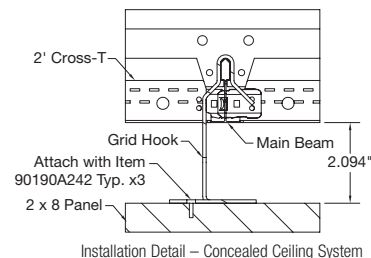
SUSPENSION SYSTEM

15/16" Heavy-duty Prelude® XL® Suspension System (See Pgs. 365-366 for components.)

5986	T-Bar Hook†	Nominal 4 x 2 x 3"	50
90190A242	#10 Pan Head Sheet Metal Screw	1/2"	100
6091	Safety Cable	24" x 3/32"	50
SH12	Support Hanger	144" x 2"	12

† For 24" x 96", 48" x 48", and 48" x 96" panels, install 4 hooks per panel; for 24" x 120" and 48" x 120" panels install 6 hooks per panel.

NOTE: Refer to installation instructions at armstrongceilings.com/installation for a better understanding of suspension requirements.



PHYSICAL DATA

Material
Aluminum composite – 0.57" thick

Surface Finish
Factory-applied powder-coated finish (post-coated)

Acoustical Performance
MetalWorks Concealed perforated panels provide outstanding acoustical correction. NRC 0.95 achieved with acoustical infill item 5823. See CS-4172 for more information on infill panels.

Fire Performance
ASTM E84 surface burning characteristics. Flame Spread Index 25 or less. Smoke Developed 50 or less.

Installation Considerations
Please refer to installation instructions LA-297890 before installing MetalWorks Concealed panels.
Not made for SingleSpan™ corridor applications.

Seismic Restraint
MetalWorks Concealed panels have been engineered, tested, and approved for application in all seismic areas when installed per Armstrong installation instructions.

Warranty
Details at armstrongceilings.com

Weight; Square Feet/Carton
0.97 lbs/SF (Bulk packaged)

TechLine / 1 877 276 7876
armstrongceilings.com/metalworks
 (search: metalworks concealed)
 BPCS-5112-718

LEED® is a registered trademark of the U.S. Green Building Council
 Revit® is a registered trademark of Autodesk, Inc. All other trademarks used herein are the property of AWI Licensing LLC and/or its affiliates
 © 2018 AWI Licensing LLC Printed in the United States of America

Armstrong®
CEILING & WALL SOLUTIONS