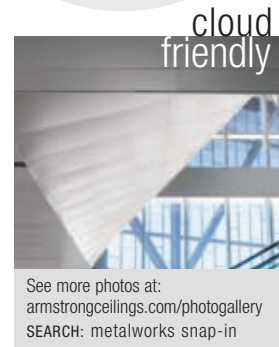
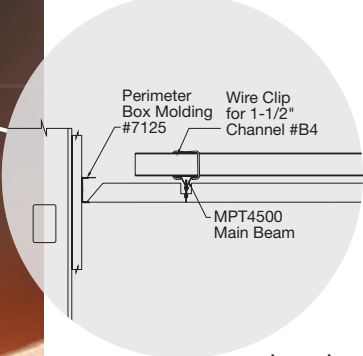


METALWORKS™ Snap-in

Concealed Suspension
smooth texture

CAD/Revit® drawings at:
armstrongceilings.com/details



MetalWorks™ Snap-in 20" x 60" panels with M16 perforation in Silverlume with Prelude® 15/16" suspension system (Pg. 279-280)

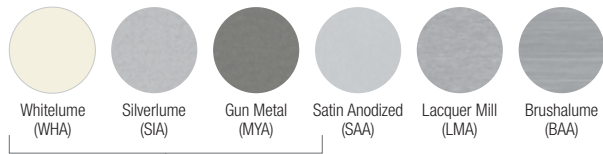
This monolithic ceiling with a concealed appearance, offers downward accessibility and excellent acoustical sound blocking/absorption options.

KEY SELECTION ATTRIBUTES

- Low-cost concealed suspension solution
- MetalWorks Snap-in is part of the Sustain™ portfolio and meets the most stringent sustainability compliance standards today
- Use on a lower clearance plenum (as low as 2") when MPT snap bar is attached directly to the deck
- Downward accessible (with panel removal tool)
- A variety of standard finishes and perforations available to enhance design aesthetics and acoustical performance
- NRC values up to 0.90 with fiberglass infill panels
- Laminate finishes provide superior wood-look visual with printed vinyl bonded to aluminum; visuals other than the ones shown are also available
- Durable – Washable, Scrubbable, Impact-resistant, Soil-resistant

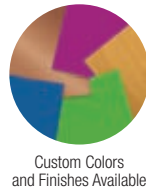
COLOR SELECTION Due to printing limitations, shade may vary from actual product.

MetalWorks



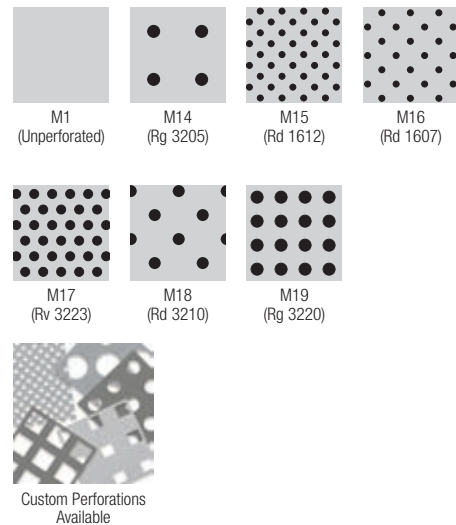
Part of the Sustain™ portfolio, meeting sustainability compliance standards

Reflections™ Laminate Finishes



Custom Colors and Finishes Available

PERFORATION OPTIONS (1:2 scale shown)



METALWORKS™ Snap-in

Concealed Suspension
smooth texture

DeclareSM
Living Building
Challenge Compliant

SUSTAINSM
High Performance
Sustainable
Ceiling Systems



UP TO 90% RECYCLED CONTENT

LEED[®]

- energy management
- construction waste mgmt
- regional materials
- design for flexibility
- EPD
- recyclable/extended producer resp.
- low embodied materials
- recycled content
- sourcing of raw materials
- material ingredient reporting
- low emitting materials
- lighting quality
- acoustics

Calculate LEED contribution at armstrongceilings.com/greengenie

VISUAL SELECTION

Edge Profile	Item Number*	Dimensions (Inches) Custom Sizes Available	Perforations
METALWORKS™ Snap-in (with acoustical fleece)			
	7216_ _ _ _	12 x 48"	M1; M14-19
	7215_ _ _ _	24 x 24"	M1; M14-19
	7217_ _ _ _	24 x 48"	M1; M14-19
	7219_ _ _ _	30 x 30"	M1; M14-19

* When specifying or ordering, include the appropriate perforation and color suffix with the item number (e.g., 7215 M 1 4 L M A).

PERFORMANCE

Dots represent high level of performance.

Light Reflect	Wash	Scrub	Impact	Soil
(White Only)	Durability			
0.77 (M1)	•	•	•	•
0.77 (M1)	•	•	•	•
0.77 (M1)	•	•	•	•
0.77 (M1)	•	•	•	•

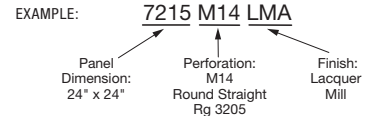
ACOUSTICAL INFORMATION

Perforation	NRC with acoustical fleece**	NRC with 1" fiberglass infill panel**
M1	-	-
M14	0.55	0.85
M15	0.70	0.90
M16	0.70	0.80
M17	0.75	0.90
M18	0.65	0.85
M19	0.75	0.90

** Maximum NRC achieved with acoustical infill (item 8200100 or 5823). For additional infill panel options, refer to catalog pages 100-101.

ACCESSORIES

Item Number	Description	Dimensions (Inches)	Color	Pieces/Carton
7125_ _ _	Box Molding	2 x 96 x 1.5"	WHA, SIA, MYA, SAA, LMA, BAA, BL	10
7126	Spreader Hold Down	1 x 10-5/8 x 1-1/2"	N/A	10
5823	BioAcoustic™ Infill Panel	24 x 24 x 5/8"	Black	12
8200100	1" Fiberglass Infill Bag	24 x 24 x 1"	Black (Gloss)	12
7127	Snap-in Access Tool	N/A	N/A	1



SUSPENSION SYSTEMS

15/16" Prelude® XL® main beams (see catalog pgs. 279-280 for components.); 1-1/2" Drywall Grid main beams (See catalog pgs. 324-325 for components.); Cross tee optional but recommended.

Item Number	Description	Dimensions (Inches)	Color	Pieces/Carton
1-1/2" Carrying Channel	Supplied by others	-	-	-
MPT4500	Spring Tee (Snap Bar)	-	N/A	25
B4	Wire Clip 1-1/2" Channel	-	N/A	1,000
7132	Snap Bar Hanger	3-1/4 x 5"	N/A	100
7133	Snap Bar Miser Clip	3-1/4 x 4-7/16"	N/A	100
S45	Splice for Metal Pan Main Beam	12"	N/A	250

PHYSICAL DATA

Material

Aluminum – thickness 0.040"

Surface Finish

Laminates: Vinyl-faced membrane
Painted finishes: Factory-applied polyester paint
Custom colors and finishes available.

Fire Performance

Painted aluminum finishes tested per ASTM E84.
Flame Spread Index 25 or less. Smoke Developed Index 50 or less.

Laminate finish tested per ASTM E84. Flame Spread Index 75 or less. Smoke Developed Index 450 or less.

ASTM E1264 Classification

Fire Class A – Painted
Fire Class B – Laminates

Acoustical Options

Perforated panels are supplied with a black fiberglass fleece to absorb sound.

Recycled Content

Minimum 25%. Up to 90% recycled content available.

Design Consideration

Anodized and Lacquer Mill finishes may vary in shade between production runs and over time.

Design Support

Project management assistance is available by calling TechLine at 1 877 ARMSTRONG.

Seismic Restraint

This product is not recommended for seismic areas. Use MetalWorks Torsion Spring or Vector® panels in seismic conditions.

Warranty

Details at armstrongceilings.com/warranty

Weight

0.69 lbs/SF