



METALWORKS™ Snap-in  
Concealed Suspension

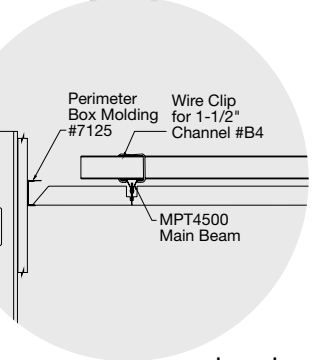
Inspiring Great Spaces®

**Armstrong**®  
CEILING SOLUTIONS

# METALWORKS™ Snap-in

Concealed Suspension  
smooth texture

CAD/Revit® drawings at:  
[armstrongceilings.com/details](http://armstrongceilings.com/details)



cloud  
friendly



See more photos at:  
[armstrongceilings.com/photogallery](http://armstrongceilings.com/photogallery)  
SEARCH: metalworks snap-in

MetalWorks™ Snap-in 20" x 60" panels with M16 perforation in Silverlume with Prelude® 15/16" suspension system (Pg. 279-280)

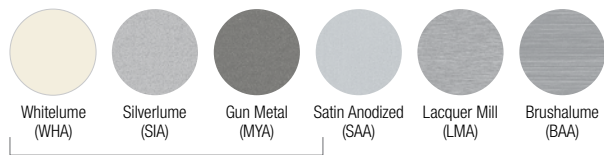
This monolithic ceiling with a concealed appearance, offers downward accessibility and excellent acoustical sound blocking/absorption options.

## KEY SELECTION ATTRIBUTES

- Low-cost concealed suspension solution
- MetalWorks Snap-in is part of the Sustain™ portfolio and meets the most stringent sustainability compliance standards today
- Use on a lower clearance plenum (as low as 2") when MPT snap bar is attached directly to the deck
- Downward accessible (with panel removal tool)
- A variety of standard finishes and perforations available to enhance design aesthetics and acoustical performance
- NRC values up to 0.90 with fiberglass infill panels
- Laminate finishes provide superior wood-look visual with printed vinyl bonded to aluminum; visuals other than the ones shown are also available
- Durable – Washable, Scrubbable, Impact-resistant, Soil-resistant

## COLOR SELECTION Due to printing limitations, shade may vary from actual product.

### MetalWorks

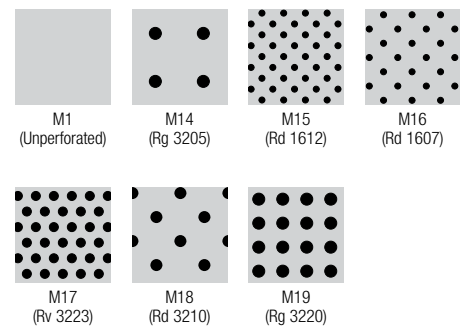


Part of the Sustain™ portfolio, meeting sustainability compliance standards

### Reflections™ Laminate Finishes



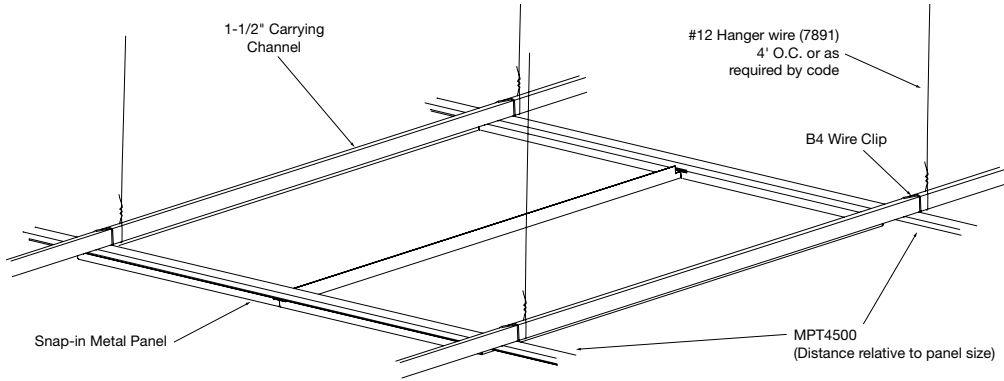
## PERFORATION OPTIONS (1:2 scale shown)



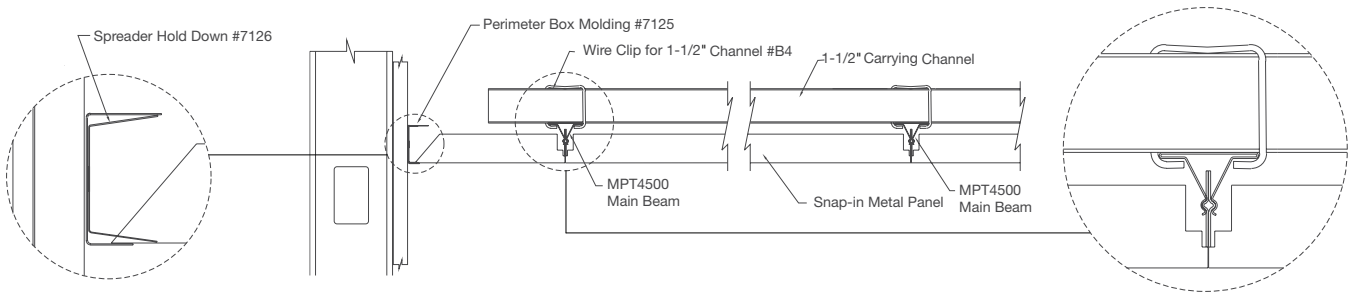
# METALWORKS™ Snap-in

Concealed Suspension  
smooth texture

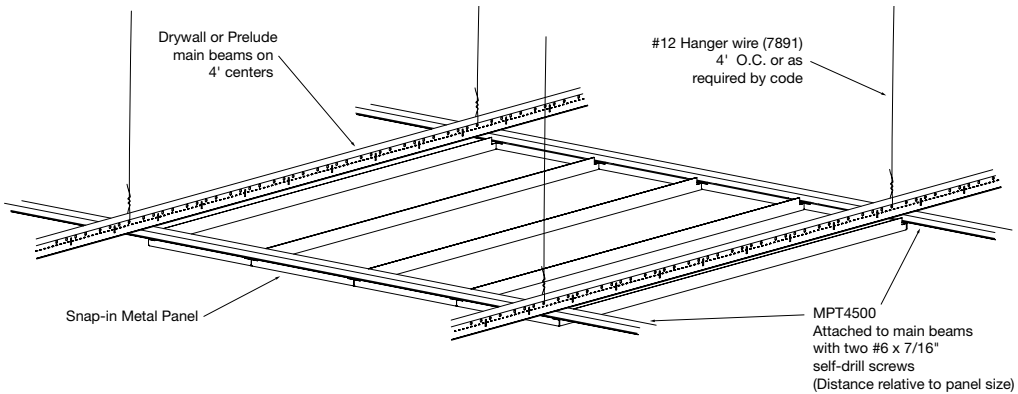
## INSTALLATION DETAIL – MetalWorks Snap-in on 1-1/2" Carrying Channel



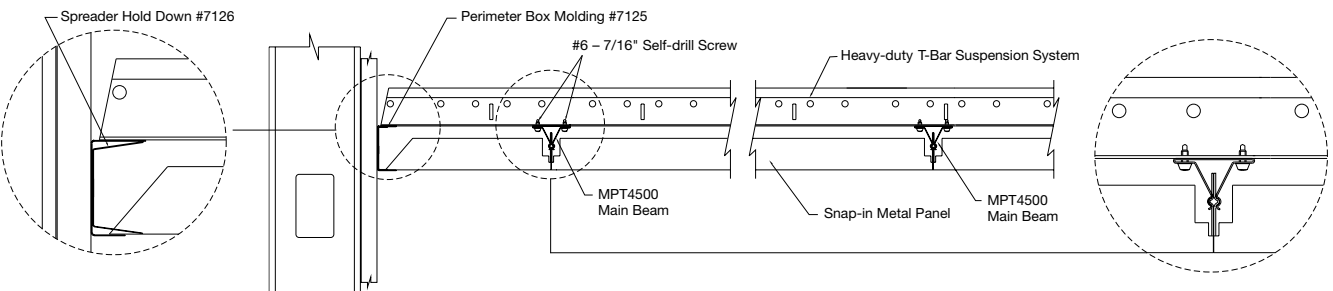
Perspective detail of MetalWorks Snap-in ceiling installed on 1-1/2" carrying channel



## INSTALLATION DETAIL – MetalWorks Snap-in on T-Bar Suspension System



Perspective detail of MetalWorks Snap-in ceiling installed on 15/16" T-Bar suspension system



Section detail of MetalWorks Snap-in ceiling installed on 15/16" T-Bar suspension system



# METALWORKS™ Snap-in

## Concealed Suspension

### smooth texture

Declare™  
Living Building  
Challenge Complaint

SUSTAIN™  
High Performance  
Sustainable  
Ceiling Systems



UP TO **90%** RECYCLED CONTENT

LEED®

- energy management
- construction waste mgmt.
- regional materials
- design for flexibility
- EPD
- recyclable/extended producer resp.
- biobased materials
- recycled content
- sourcing of raw materials
- material ingredient reporting
- low emitting materials
- lighting quality
- acoustics

Calculate LEED contribution at [armstrongceilings.com/greengenie](http://armstrongceilings.com/greengenie)

### VISUAL SELECTION

Edge Profile	Item Number*	Dimensions (Inches) Custom Sizes Available	Perforations
<b>METALWORKS™ Snap-in (with acoustical fleece)</b>			
	7216_ _ _ _ _	12 x 48"	M1; M14-19
	7215_ _ _ _ _	24 x 24"	M1; M14-19
	7217_ _ _ _ _	24 x 48"	M1; M14-19
	7219_ _ _ _ _	30 x 30"	M1; M14-19

\* When specifying or ordering, include the appropriate perforation and color suffix with the item number (e.g., 7215 M 1 4 L M A).

### PERFORMANCE

Dots represent high level of performance.

Light Reflect	Wash	Scrub	Impact	Soil
(White Only)	<b>Durability</b>			
0.77 (M1)	•	•	•	•
0.77 (M1)	•	•	•	•
0.77 (M1)	•	•	•	•
0.77 (M1)	•	•	•	•

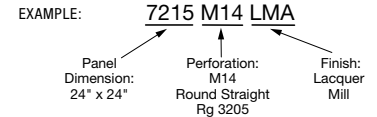
### ACOUSTICAL INFORMATION

Perforation	NRC with acoustical fleece**	NRC with 1" fiberglass infill panel**
M1	-	-
M14	0.55	0.85
M15	0.70	0.90
M16	0.70	0.80
M17	0.75	0.90
M18	0.65	0.85
M19	0.75	0.90

\*\* Maximum NRC achieved with acoustical infill (item 8200100 or 5823). For additional infill panel options, refer to catalog pages 100-101.

### ACCESSORIES

Item Number	Description	Dimensions (Inches)	Color	Pieces/Carton
7125_ _ _	Box Molding	2 x 96 x 1.5"	WHA, SIA, MYA, SAA, LMA, BAA, BL	10
7126	Spreader Hold Down	1 x 10-5/8 x 1-1/2"	N/A	10
5823	BioAcoustic™ Infill Panel	24 x 24 x 5/8"	Black	12
8200100	1" Fiberglass Infill Bag	24 x 24 x 1"	Black (Gloss)	12
7127	Snap-in Access Tool	N/A	N/A	1



### SUSPENSION SYSTEMS

15/16" Prelude® XL® main beams (see catalog pgs. 279-280 for components.); 1-1/2" Drywall Grid main beams (See catalog pgs. 324-325 for components.); Cross tee optional but recommended.

Item Number	Description	Dimensions (Inches)	Color	Pieces/Carton
1-1/2" Carrying Channel	Supplied by others	-	-	-
MPT4500	Spring Tee (Snap Bar)	-	N/A	25
B4	Wire Clip 1-1/2" Channel	-	N/A	1,000
7132	Snap Bar Hanger	3-1/4 x 5"	N/A	100
7133	Snap Bar Miser Clip	3-1/4 x 4-7/16"	N/A	100
S45	Splice for Metal Pan Main Beam	12"	N/A	250

### PHYSICAL DATA

**Material**  
Aluminum – thickness 0.040"

**Surface Finish**  
Laminates: Vinyl-faced membrane  
Painted finishes: Factory-applied polyester paint  
Custom colors and finishes available.

**Fire Performance**  
Painted aluminum finishes tested per ASTM E84. Flame Spread Index 25 or less. Smoke Developed Index 50 or less.  
Laminate finish tested per ASTM E84. Flame Spread Index 75 or less. Smoke Developed Index 450 or less.

**ASTM E1264 Classification**  
Fire Class A – Painted  
Fire Class B – Laminates

**Acoustical Options**  
Perforated panels are supplied with a black fiberglass fleece to absorb sound.

**Recycled Content**  
Minimum 25%. Up to 90% recycled content available.

**Design Consideration**  
Anodized and Lacquer Mill finishes may vary in shade between production runs and over time.

**Design Support**  
Project management assistance is available by calling TechLine at 1 877 ARMSTRONG.

**Seismic Restraint**  
This product is not recommended for seismic areas. Use MetalWorks Torsion Spring or Vector® panels in seismic conditions.

**Warranty**  
Details at [armstrongceilings.com/warranty](http://armstrongceilings.com/warranty)

**Weight**  
0.69 lbs/SF