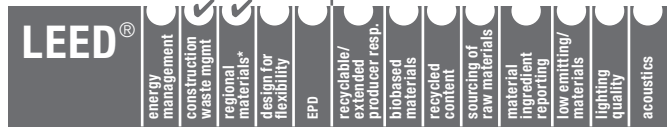


SEISMIC RX® Code Compliant Solution

Suspension Systems ICC-ESR-1308

30% RECYCLED CONTENT
ALUMINUM

Calculate LEED contribution at
armstrong.com/greengenie



*LOCATION DEPENDENT



KEY SELECTION ATTRIBUTES

- Armstrong Seismic Rx Suspension System Saves Time and Money
- Easier to square the system by installing tight to adjacent walls
- Tighter, more secure installation
- Eliminate stabilizer bars/inside corner and outside corner posts available
- Reduce material costs by using 7/8" molding
- Eliminate stabilizer bars
- Eliminate installation hassles from 2" wall molding

ICC-ES Recognizes the Armstrong Seismic Rx Suspension System as a Code Compliant Solution

The independent and expert evaluation and confirmation by ICC-ES provides the code official with proven evidence supporting the Armstrong Seismic Rx Suspension System as a code-compliant alternative design to current IBC requirements.

Please visit www.icc-es.org for a copy of the ESR report.

COMPONENTS

Suspension Systems

PRELUDE® XL® 15/16" Exposed Tee System
PRELUDE XL Fire Guard™ 15/16" Exposed Tee System
PRELUDE XL 15/16" Environmental Tee System
SILHOUETTE® XL 1/4" Reveal 9/16" Bolt Slot System
SILHOUETTE XL 1/8" Reveal 9/16" Bolt Slot System
SUPRAFINE® XL 9/16" Exposed Tee System
SUPRAFINE XL Fire Guard 9/16" Exposed Tee System
INTERLUDE® XL 9/16" Dimensional Tee System
AL PRELUDE PLUS XL 15/16" Environmental Tee System
SONATA™ 9/16" Dimensional Tee System
SS PRELUDE PLUS XL 15/16" Environmental Tee System

Categories D, E and F

- Heavy-duty
- Heavy-duty
- Heavy-duty
- Heavy-duty
- Heavy-duty
- Heavy-duty
- Heavy-duty
- Heavy-duty
- Heavy-duty
- Heavy-duty

Category C

- Intermediate-duty
- Intermediate-duty
- Intermediate-duty
- Intermediate-duty
- Intermediate-duty
- Intermediate-duty
- Intermediate-duty
- Intermediate-duty
- Intermediate-duty
- Intermediate-duty

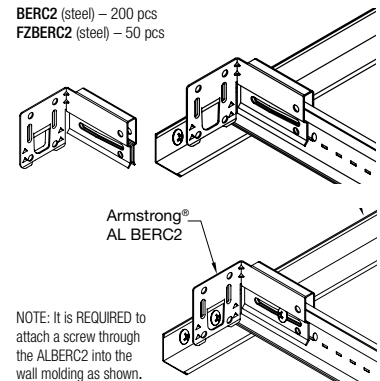
MOLDINGS

Item No.	Description	Length	(A) Flange	(B) Flange	(C) Flange	Pcs./ Ctn.	Lin. Ft./ Ctn.
Angle molding							
<input type="checkbox"/> 7800	144" hemmed with prefinished exposed flanges	144"	7/8"	7/8"	–	30	360
<input type="checkbox"/> 7802	120" hemmed with prefinished exposed flanges	120"	7/8"	7/8"	–	30	300
<input type="checkbox"/> 7803	144" hemmed with prefinished exposed flanges	144"	7/8"	7/8"	–	30	360
<input type="checkbox"/> 7809	144" hemmed with prefinished exposed flanges	144"	15/16"	15/16"	–	30	360
<input type="checkbox"/> HD7801	120" hemmed with prefinished exposed flanges	120"	7/8"	7/8"	–	30	300
<input type="checkbox"/> 780036	144" hemmed with prefinished exposed flanges	144"	7/8"	7/8"	–	30	360
Shadow molding							
<input type="checkbox"/> 7823	120" hemmed with prefinished exposed flanges	120"	2"	1-1/4"	3/4"	10	100
<input type="checkbox"/> 7877	120" compatible with BERC and BERC2	120"	15/16"	15/16"	1/4"	30	300
<input type="checkbox"/> 7878	120" compatible with BERC and BERC2	120"	15/16"	15/16"	3/8"	30	300
<input type="checkbox"/> 7897	120" compatible with BERC and BERC2	120"	15/16"	15/16"	1/2"	30	300

ACCESSORIES

2" Beam End Retaining Clip – Joins main beam or cross tee to wall molding and web of suspension system with no visible pop rivets.

- ALBERC2 (aluminum) – 200 pcs
- FZALBERC2 (aluminum) – 50 pcs
- BERC2 (steel) – 200 pcs
- FZBERC2 (steel) – 50 pcs



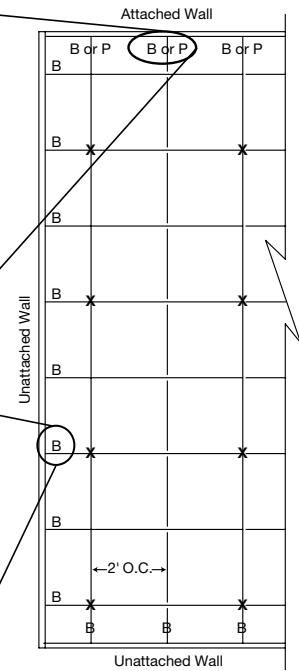
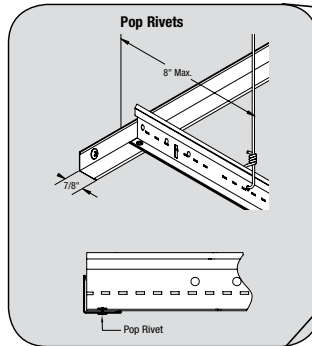
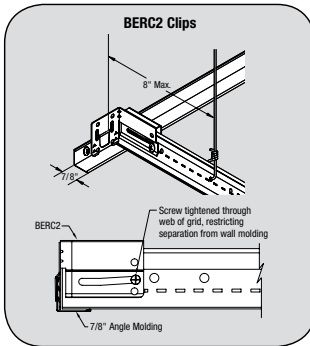
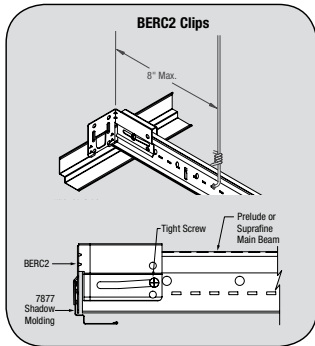
NOTE: It is REQUIRED to attach a screw through the ALBERC2 into the wall molding as shown.

SEISMIC RX® Code Compliant Solution

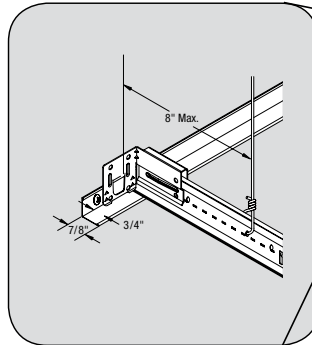
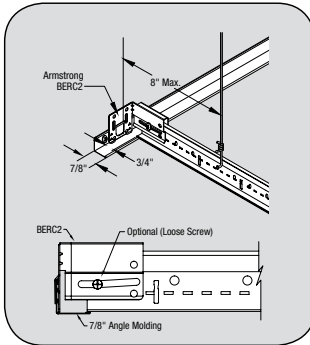
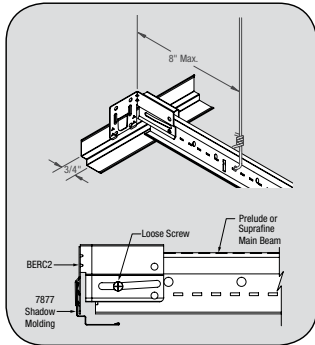
Suspension Systems ICC-ESR-1308

INSTALLATION GUIDELINES

CATEGORY D, E, F

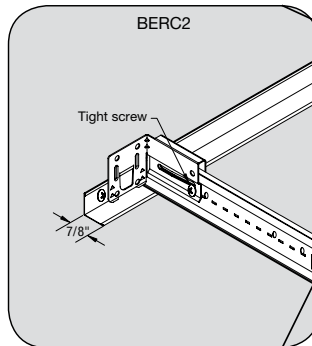


Attached Wall

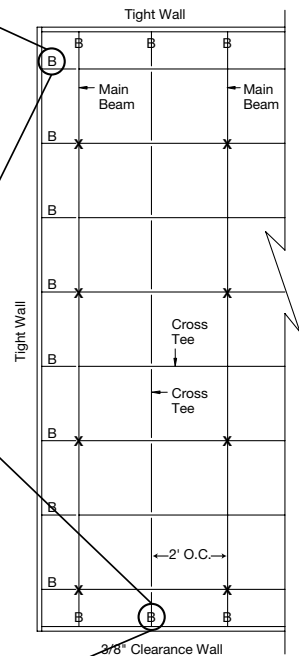
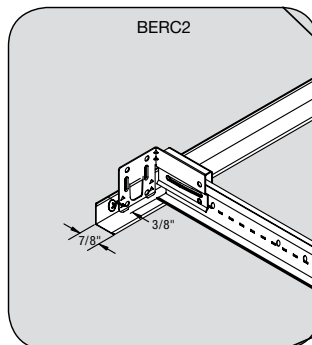


Unattached Wall

CATEGORY C



Tight Wall



- X Hanger Wire
- B BERC or BERC2 Clip