

# SOUNDSCAPES® Blades

Linear Acoustical Panels  
fine texture



**FAST 134**  
Select Items Ship Fast  
armstrongceilings.com/fast134



SoundScapes® Blades in White, Stone, and Black

CAD/Revit® drawings at:  
armstrongceilings.com/cadrevit



Wall application

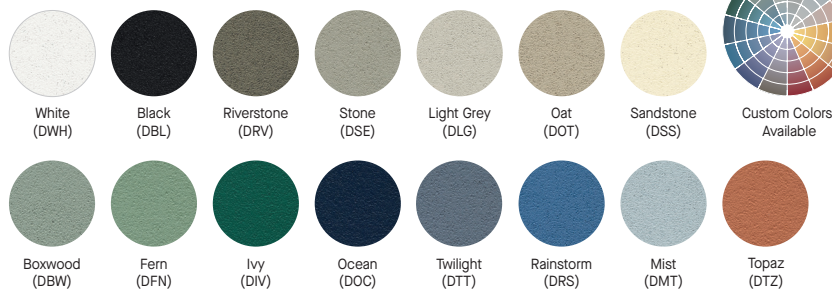
SoundScapes® Blades vertical panels achieve acoustical excellence in your space – with versatile ways to install on ceilings and walls.

## KEY SELECTION ATTRIBUTES

- new** Now available in 15 colors inspired by nature
- Mix standard designs, lengths, and depths for dynamic visuals
- Sound absorption up to 1.80 NRC dependent on blade depth and spacing
- Select products included in the FAST134 program – ready to ship in 4 weeks or less
- new** Color-coordinated Prelude® suspension systems available
- Three installation options for maximum ceiling and wall design flexibility
  - From standard suspension system
  - From individual cable suspension
  - Direct-attach method using Axiom® wall molding
- 20 vertical panel sizes and shapes
- Mold- and mildew-resistant surface
- Linear, upscale visual
- Seismic-tested
- White embedded hanging clips
- CleanAssure™ family of products – includes disinfectable panels, suspension systems, and trim
- Custom panel options available
- Add scrim to top edge as a premium option
- ASTM E84 Class A Fire Performance

**COLORS** Due to printing limitations, shade may vary from actual product.

**new** Painted



For premium and custom capabilities, contact ASQuote@armstrongceilings.com



TechLine 877 276-7876  
armstrongceilings.com/soundscapesblades

**Armstrong®**  
World Industries

# SOUNDSCAPES® Blades

Linear Acoustical Panels  
fine texture

**LEED WELL LBC**

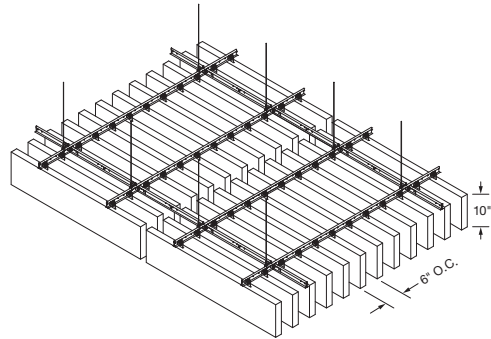
**43% RECYCLED CONTENT**

For LEED contribution contact TechLine

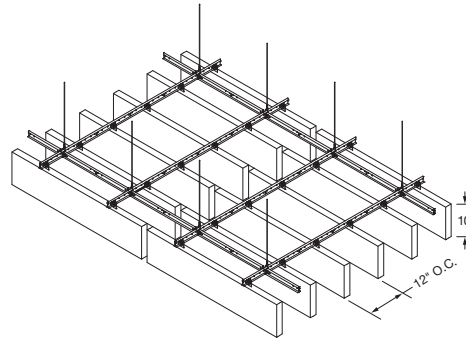
- energy management
- construction waste mgmt
- regional materials
- design for flexibility
- EPD
- recyclable/curbed producer resp.
- biobased materials
- recycled content
- sourcing of raw materials
- material ingredient reporting
- low emitting materials
- lighting quality
- acoustics

LOCATION DEPENDENT

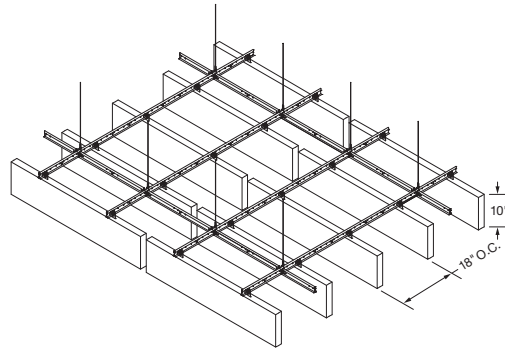
## ACOUSTIC INFORMATION



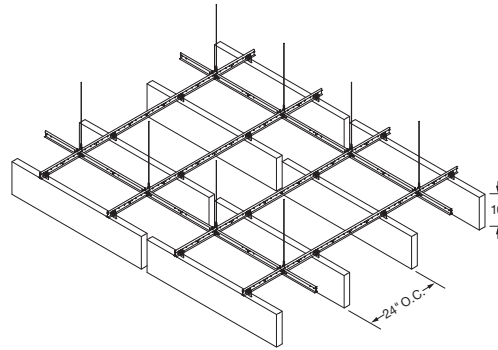
1.15 NRC with 6" O.C. Blade Spacing



0.80 NRC with 12" O.C. Blade Spacing



0.60 NRC with 18" O.C. Blade Spacing

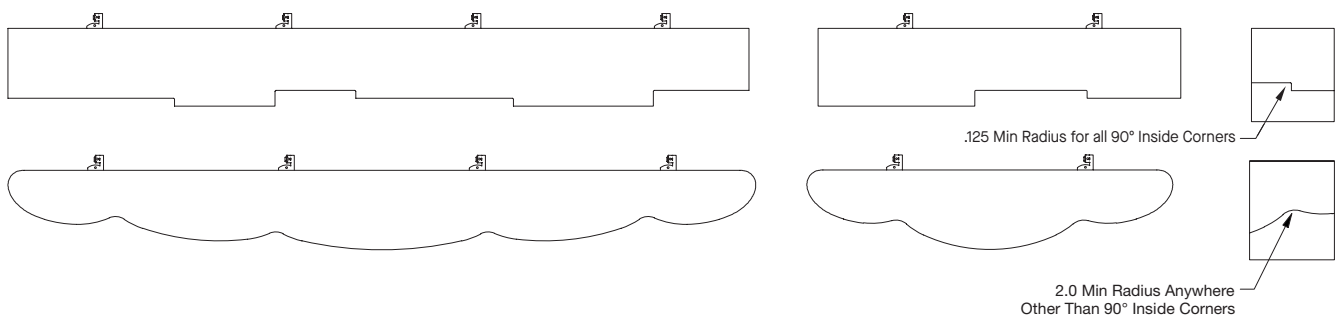


0.50 NRC with 24" O.C. Blade Spacing

Panel Depth	NRC			
	6" O.C.	12" O.C.	18" O.C.	24" O.C.
5"	0.80	0.50	0.40	0.30
7-1/2"	1.00	0.65	0.50	0.40
10"	1.15	0.80	0.60	0.50
10-1/2"	1.15	0.80	0.60	0.50
16"	1.35	1.00	0.75	0.55
19-1/2"	1.40	1.00	0.75	0.60
22"	1.45	1.00	0.75	0.65
22-1/2"	1.45	1.00	0.80	0.65
28"	1.80	1.35	1.10	0.95

NOTE: Tested per ASTM C423 without infill panels. Spacing of blades, blade depth, and acoustical infill panels will impact acoustical performance. Contact TechLine for a custom reverberation time report at [techline@armstrongceilings.com](mailto:techline@armstrongceilings.com)

## CUSTOM PANEL DESIGN EXAMPLES



# SOUNDSCAPES® Blades

Linear Acoustical Panels  
fine texture

**LEED WELL LBC**

**43% RECYCLED CONTENT**

For LEED contribution contact TechLine

energy management, construction waste mgmt, regional materials, design for flexibility, EPD, recyclable/extended producer resp., bio-based materials, recycled content, sourcing of raw materials, material ingredient reporting, low emitting materials, lighting quality, acoustics

LOCATION DEPENDENT

## VISUAL SELECTION Shown in elevation view

Item No. ♦	Description	Dimensions (Inches)
8250F03RH05 (formerly item no. 7190)	Rectangular Vertical Panel	5 × 46 × 2" 
8250F03RH06 (formerly item no. 7191)	Rectangular Vertical Panel	5 × 94 × 2" 
8250F03RH01 (formerly item no. 3920)	Rectangular Vertical Panel	10 × 46 × 2" 
8250F03RH02 (formerly item no. 3921)	Rectangular Vertical Panel	10 × 94 × 2" 
8250F03RH07 (formerly item no. 7192)	Rectangular Vertical Panel	16 × 46 × 2" 
8250F03RH08 (formerly item no. 7193)	Rectangular Vertical Panel	16 × 94 × 2" 
8250F03RH03 (formerly item no. 3922)	Rectangular Vertical Panel	22 × 46 × 2" 

## PERFORMANCE Dots represent high level of performance.

Light Reflect	Fire Rating	Anti-Mold/Mildew	Sag Resist	Fog	Spray	Wash*	Impact	Soil
0.88	Class A	*	*	*	*	*	*	*
0.88	Class A	*	*	*	*	*	*	*
0.88	Class A	*	*	*	*	*	*	*
0.88	Class A	*	*	*	*	*	*	*
0.88	Class A	*	*	*	*	*	*	*
0.88	Class A	*	*	*	*	*	*	*
0.88	Class A	*	*	*	*	*	*	*

**FAST**  
4 WEEKS  
or Less

FAST134 program items ready to ship from manufacturer in 4 weeks or less.  
Up-to-date lead times and product options (sizes and colors) at [armstrongceilings.com/fast134](http://armstrongceilings.com/fast134)

NOTE: Scrimmed top edges offered as "Premium." contact ASQuote@armstrongceilings.com  
♦ Add 3-letter color suffix to end of item number (e.g., 8250F03RH02 D W H = White)  
\* White only.



BLADES – Standard

# SOUNDSCAPES® Blades

Linear Acoustical Panels  
fine texture

**LEED WELL LBC**

**43% RECYCLED CONTENT**

For LEED contribution contact TechLine

- energy management
- construction waste mgmt
- regional materials
- design for flexibility
- EPD
- recyclable/ recycled producer resp.
- biobased materials
- recycled content
- sourcing of raw materials
- material ingredient reporting
- low emitting/ materials
- lighting quality
- acoustics

## VISUAL SELECTION Shown in elevation view

Item No. ♦	Description	Dimensions (Inches)	
8250F03RH04 ___ (formerly item no. 3923)	Rectangular Panel	22 × 94 × 2"	
8250F03RH09 ___ (formerly item no. 7194)	Rectangular Vertical Panel	28 × 46 × 2"	
8250F03RH10 ___ (formerly item no. 7195)	Rectangular Vertical Panel	28 × 94 × 2"	
8250F03CH01 ___ (formerly item no. 7240)	Hill Vertical Panel	7-1/2 × 46 × 2"	
8250F03CH02 ___ (formerly item no. 7241)	Valley Vertical Panel	10-1/2 × 46 × 2"	
8250F03CH03 ___ (formerly item no. 7242)	Hill Vertical Panel	19-1/2 × 46 × 2"	
8250F03CH04 ___ (formerly item no. 7243)	Valley Vertical Panel	22-1/2 × 46 × 2"	

## PERFORMANCE Dots represent high level of performance.

(White only)	Bio-Block®	Humi-Guard+	CleanAssure™ Disinfectable Panels	DURABILITY				
Light Reflect	Fire Rating	Anti-Mold/Mildew	Sag Resist	Fog	Spray	Wash*	Impact	Soil
0.88 Class A	*	*	*	*	*	*	*	*
0.88 Class A	*	*	*	*	*	*	*	*
0.88 Class A	*	*	*	*	*	*	*	*
0.88 Class A	*	*	*	*	*	*	*	*
0.88 Class A	*	*	*	*	*	*	*	*
0.88 Class A	*	*	*	*	*	*	*	*
0.88 Class A	*	*	*	*	*	*	*	*



FAST134 program items ready to ship from manufacturer in 4 weeks or less.  
Up-to-date lead times and product options (sizes and colors) at [armstrongceilings.com/fast134](http://armstrongceilings.com/fast134)

NOTE: Scrimmed top edges offered as "Premium." contact ASQuote@armstrongceilings.com  
♦ Add 3-letter color suffix to end of item number (e.g., 8250F03RH02 D W H = White)  
\* White only.



# SOUNDSCAPES® Blades

Linear Acoustical Panels – Nature-inspired Colors  
fine texture

**LEED WELL LBC**

**43% RECYCLED CONTENT**

For LEED contribution contact TechLine

- energy management
- construction waste mgmt
- regional materials
- design for flexibility
- EPD
- recyclable/extended producer resp.
- biobased materials
- recycled content
- sourcing of raw materials
- material ingredient reporting
- low emitting materials
- lighting quality
- acoustics

LOCATION DEPENDENT

## VISUAL SELECTION Shown in elevation view

Item No. ♦	Description	Dimensions (Inches)	
8250F03WH01 (formerly item no. 7244)	Wave Vertical Panel	10-1/2" x 94" x 2"	
8250F03WH02 (formerly item no. 7245)	Wave Vertical Panel	22-1/2" x 94" x 2"	
8250F03WH03 (formerly item no. 7246)	Wave Vertical Panel	10" x 46" x 2"	
8250F03WH04 (formerly item no. 7247)	Wave Vertical Panel	22" x 46" x 2"	
8250F03WH05 (formerly item no. 7248)	Double Wave Vertical Panel	10" x 94" x 2"	
8250F03WH06 (formerly item no. 7249)	Double Wave Vertical Panel	22" x 94" x 2"	

## PERFORMANCE Dots represent high level of performance.

(White only)	Bio-Block®	Humi-Guard+	CleanAssure™ Disinfectable Panels	DURABILITY				
Light Reflect	Fire Rating	Anti-Mold/Mildew	Sag Resist	Fog	Spray	Wash*	Impact	Soil
0.88 Class A	*	*	*	*	*	*	*	*
0.88 Class A	*	*	*	*	*	*	*	*
0.88 Class A	*	*	*	*	*	*	*	*
0.88 Class A	*	*	*	*	*	*	*	*
0.88 Class A	*	*	*	*	*	*	*	*
0.88 Class A	*	*	*	*	*	*	*	*



FAST134 program items ready to ship from manufacturer in 4 weeks or less.  
Up-to-date lead times and product options (sizes and colors) at [armstrongceilings.com/fast134](http://armstrongceilings.com/fast134)

NOTE: Scrimmed top edges offered as "Premium," contact [ASQuote@armstrongceilings.com](mailto:ASQuote@armstrongceilings.com)  
♦ Add 3-letter color suffix to end of item number (e.g., 8250F03RH02 D W H = White)  
\* White only.



BLADES – Standard

# SOUNDSCAPES® Blades

Linear Acoustical Panels – Nature-inspired Colors  
fine texture

**LEED® WELL | LBC**

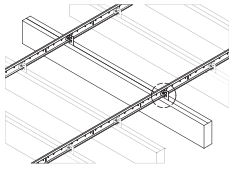
**43% RECYCLED CONTENT**

For LEED contribution contact TechLine

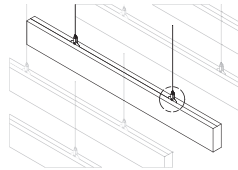
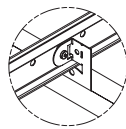
- energy management
- construction waste mgmt
- regional materials
- design for flexibility
- EPD
- recyclable/produced producer resp.
- biobased materials
- recycled content
- sourcing of raw materials
- material ingredient reporting
- low emitting materials
- lighting quality
- acoustics

LOCATION DEPENDENT

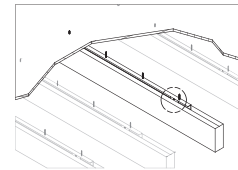
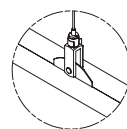
## THREE WAYS TO INSTALL



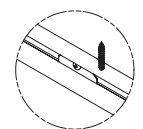
Direct to Grid Suspension System



Individual Suspension using Hanging Kit



Direct-attach Method using Axiom® Wall Molding

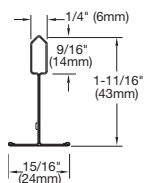


## INSTALLATION OPTIONS

	Item No. ♦	Description	LF/CTN
Direct to Grid Suspension System	7301 _ _ _	12' HD Main Beam	240
	XL7342 _ _ _	4' Cross Tee	240
	XL7328 _ _ _	2' Cross Tee	120
	7800 _ _ _	12' Angle Molding	360
360° Painted Direct to Grid Suspension System	730136 _ _	12' HD Main Beam (BL & WH)	240
	XL734036 _ _	4' Cross Tee (BL & WH)	240
	XL732036 _ _	2' Cross Tee (BL & WH)	120
	780036 _ _	12' Angle Molding (BL & WH)	360
	56418	12' HD Main Beam	240
	56421	4' Cross Tee	240
56419	2' Cross Tee	120	
7800	12' Angle Molding	360	
Floating Cloud Installations	AX4STR3 _ _	10' Axiom® Classic 4" Straight Trim	See note*

- ♦ When specifying or ordering items with a color, add the 2- or 3-digit suffix to the end of the item number (e.g. 7301 B L)
- \* 360° Paint Recommended; order by the piece

### Prelude® XL®



	Item No. ♦	Description	PCS/CTN
Direct-Attach with Axiom® Wall Molding	AXM34STR3 _ _	10' Straight Wall Molding	See note*
Individual Suspension Using Hanging Kit	6655	4-Point Hanging Kit	4 per bag
Accessories	ARBRKT	Adjustable Hanger Bracket	80
	6459BL	Black Rigid Attachment Clip	25
	STAC	Single Tee Adapter Clip	120
	7121	Angled Hanging Kit (60° maximum angle)	2
	625530	Extended Hanging Aircraft Cables (30')	4

- ♦ When specifying or ordering items with a color, add the two-letter suffix to the end of the item number (e.g. AXM34STR3 B L)

## PHYSICAL DATA

### Material

2" thick fiberglass with DuraBrite® scrim on face and sides.

### Surface Finish

Colors: DuraBrite scrim with factory-applied paint on face and sides. Standard White has energy-saving, high light-reflective finish (LR 0.88). Top of panel is unfinished with white embedded hanging clips.

### Fire Performance

SoundScapes® Blades panel material is ASTM E84 Class A: Flame Spread 25 or under and Smoke Developed 50 or less.

CAN/ULC S102 surface burning characteristics. Flame Spread Rating 25 or less. Smoke Developed Classification 50 or less.

SoundScapes Blades panels, as with other architectural features located in the ceiling plane, may obstruct or skew the existing or planned fire sprinkler water distribution pattern, or possibly delay the activation of the fire sprinkler or fire detection system. Consult a fire protection engineer, NFPA 13, and local codes for guidance on the proper installation techniques where fire detection or suppression systems are present.

### Design Support

For custom design assistance contact ProjectWorks® Design Services or visit [armstrongceilings.com/projectworks](http://armstrongceilings.com/projectworks)

### Anti-Mold/Mildew

Ceiling tiles with BioBlock® performance resist the growth of mold and mildew on the tile surface.

### Design Considerations

SoundScapes Blades panels maintain a natural bow that may be noticeable when installed 2" or less apart. Deflection up to 1/8" has been documented in some cases.

Special care in installation and handling must be taken with color panels to avoid surface damage to the paint finish. Custom colors are available.

5" SoundScapes Blades can now be used on walls, but are not recommended for use in high-traffic or high-impact areas. For best results, install above 7' from floor level.

SoundScapes Blades panels can be ordered with scrim on top edge as a premium.

### Seismic Restraint

SoundScapes Blades are approved for all seismic areas when installed per the seismic guidelines in the Armstrong Ceilings installation instructions.

### Recommended Suspension Systems

SoundScapes Blades panels are pre-assembled with metal hanging clips in the top of the panels. See Installation Instructions BPLA-297844 for installation details.

### Warranty

Details at [armstrongceilings.com/warranty](http://armstrongceilings.com/warranty)

### Panel Weight

8250F03RH05 – 2.2 LBS per panel	8250F03CH01 – 2.9 LBS per panel
8250F03RH06 – 4.3 LBS per panel	8250F03CH02 – 3.5 LBS per panel
8250F03RH01 – 3.6 LBS per panel	8250F03CH03 – 6.4 LBS per panel
8250F03RH02 – 7.2 LBS per panel	8250F03CH04 – 7.3 LBS per panel
8250F03RH07 – 5.4 LBS per panel	8250F03WH01 – 7.5 LBS per panel
8250F03RH08 – 10.6 LBS per panel	8250F03WH02 – 14.4 LBS per panel
8250F03RH03 – 7.2 LBS per panel	8250F03WH03 – 3.6 LBS per panel
8250F03RH04 – 14.1 LBS per panel	8250F03WH04 – 7.2 LBS per panel
8250F03RH09 – 8.9 LBS per panel	8250F03WH05 – 7.2 LBS per panel
8250F03RH10 – 17.6 LBS per panel	8250F03WH06 – 14.1 LBS per panel

### Panels/Carton

4

### Minimum Order Quantity

1 carton