

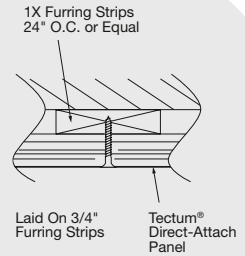
TECTUM® Direct-Attach
TECTUM Direct-Attach
High NRC
Acoustical Ceiling Panels
coarse texture



FAST 134
Select Items Ship Fast
armstrongceilings.com/fast134



CAD/Revit® drawings at:
armstrongceilings.com/cadrevit



Tectum Direct-Attach panels in multiple sizes and thicknesses in Fern installed on FrameAll™ drywall grid

Tectum® Direct-Attach and Direct-Attach High NRC ceiling panels provide durable, sustainable, acoustical options for a wide variety of applications.

KEY SELECTION ATTRIBUTES

- Tectum Direct-Attach panels have an NRC of up to 1.00 and UL® Certified acoustics with acoustical testing and reporting that align with industry-wide best practices
 - Tectum Direct-Attach High NRC panels have a proprietary factory-applied acoustical backer, adding sound absorption that is certified by UL
 - Select products included in the FAST134 program – ready to ship in 4 weeks or less
- new**
- All panel thicknesses (1", 1-1/2", and 2") are now part of the Sustain® portfolio and meet the most stringent industry sustainability compliance standards today. Listed colors and custom sizes are included.
 - Install 1"-thick Tectum® Direct-Attach on Trusses and I-Beams for added acoustics while maintaining an exposed structure visual on the deck
 - Long edges beveled, short edges beveled available as a standard option
 - Great retrofit solution for noise reduction
 - Can be field painted up to 6 times without impacting acoustic or fire performance
 - Variety of premium color options available
 - Can be mechanically fastened to a wide variety of surfaces including masonry, drywall, drywall grid system, wood, trusses, I-Beams, and more
 - CleanAssure™ family of products – includes disinfectable panels, suspension systems, and trim (standard colors only)
 - USDA Biobased content: 98%
 - Made in the U.S.A. of domestic and global content
 - Build America, Buy America (BABA) Act compliant

DETAILS



1. Tectum Direct-Attach panel in White (TWH)
2. Tectum Direct-Attach panel in White (TWH)
3. Tectum Direct-Attach High NRC panel with proprietary acoustical backer

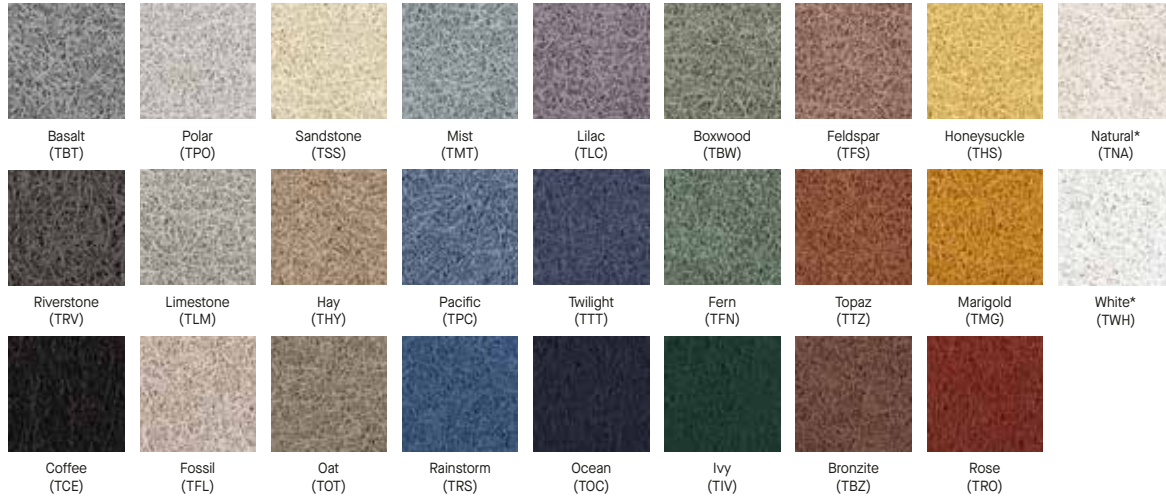
TECTUM® Direct-Attach
TECTUM Direct-Attach
High NRC
Acoustical Ceiling Panels
coarse texture



COMMON MATERIALS FRAMEWORK		Climate Health	EPD
Human Health	Declare Label HPD	Ecosystem Health	EPD
	3rd Party CDPH	Circular Economy	✓
OCCUPANT EXPERIENCE		Acoustics	✓

TECTUM DESIGN CAPABILITIES

COLORS Due to printing limitations, shade may vary from actual product.



Custom Colors Available**

* Standard color options; Nature-inspired colors are premium. All colors shown are pre-qualified to meet Sustain® portfolio requirements.

** Custom, made-to-order colors must be evaluated if sustainability criteria is required. Lead time will increase. Contact ASQuote@armstrongceilings.com

QUOTED PANEL SIZES

Get Tectum Direct-Attach ceilings in sizes up to 144"	1", 1-1/2", or 2" Thickness	
	Width	Length
	12" - 48"	12" - 144"

HIGH DESIGN IN STANDARD PRODUCTS A New Way to Think About Tectum



Tectum® DesignArt®
Mix and match Shapes and Lines for a truly unique visual!
armstrongceilings.com/designart



Tectum® Create!™
Create beautiful, unique spaces with printed imagery!
armstrongceilings.com/tectumcreate



Tectum® Direct-Attach Walls
Transform your spaces with strength and style!
armstrongceilings.com/tectumwalls



TECTUM® Direct-Attach
TECTUM Direct-Attach
High NRC
Acoustical Ceiling Panels
coarse texture



Declare.

LEED V5

COMMON MATERIALS FRAMEWORK		Climate Health	EPD
Human Health	Declare Label	Ecosystem Health	EPD
	HPD		FSC
	3rd Party CDPH	Circular Economy	✓
OCCUPANT EXPERIENCE		Acoustics	✓

VISUAL SELECTION

PERFORMANCE Dots represent high level of performance.

ACOUSTICAL INFORMATION

Item No. ◆	Dimensions W × L × H (Inches)	Fire Rating Light Reflect Anti-Mold/ Mildew Sag Resist Certified Low VOC Emissions	Bio-Block Humi-Guard+	CleanAssure™ Disinfectable Panels	DURABILITY			30-Yr Warranty	Panel Thickness	UL Classified Acoustics NRC	Mounting Method
					Fog	Impact	Scratch*				
TECTUM® Direct-Attach Ceiling Panels (FSC® Certified) Long Edges Beveled/ Short Edges Square	8182T10_ _ _	23-3/4 × 48 × 1"	Class Up to A 0.75	*	*	*	*	*	1"	0.40	A
	8182T15PC1_ _ _	23-3/4 × 48 × 1-1/2"	Class Up to A 0.75	*	*	*	*	*	0.45	0.80	D-20
	8182T20PC1_ _ _	23-3/4 × 48 × 2"	Class Up to A 0.75	*	*	*	*	*	0.85	0.85	C-40
TECTUM® Direct-Attach Ceiling Panels (FSC® Certified) Long Edges Beveled/ Short Edges Square	8181T10_ _ _	23-3/4 × 96 × 1"	Class Up to A 0.75	*	*	*	*	*	1-1/2"	0.50	A
	8181T15PC1_ _ _	23-3/4 × 96 × 1-1/2"	Class Up to A 0.75	*	*	*	*	*	0.55	0.90	D-20
	8181T20PC1_ _ _	23-3/4 × 96 × 2"	Class Up to A 0.75	*	*	*	*	*	0.90	0.90	C-40
TECTUM® Direct-Attach Ceiling Panels (FSC® Certified) Long Edges Beveled/ Short Edges Square	8180T10_ _ _	47-3/4 × 96 × 1"	Class Up to A 0.75	*	*	*	*	*	2"	0.65	A
	8180T15PC1_ _ _	47-3/4 × 96 × 1-1/2"	Class Up to A 0.75	*	*	*	*	*	0.70	0.95	D-20
	8180T20PC1_ _ _	47-3/4 × 96 × 2"	Class Up to A 0.75	*	*	*	*	*	1.00	1.00	C-40
Quoted Panel Sizes	W 12" – 48" L: 12" – 144" 1", 1-1/2", or 2" thickness	Class Up to A 0.75	N/A	N/A	*	*	*	*			
TECTUM® Direct-Attach Ceiling Panels (FSC® Certified) Long Edges Beveled/ Short Edges Beveled**	8175T10_ _ _	23-3/4 × 48 × 1"	Class Up to A 0.75	*	*	*	*	*			
	8175T15PC1_ _ _	23-3/4 × 48 × 1-1/2"	Class Up to A 0.75	*	*	*	*	*			
	8175T20PC1_ _ _	23-3/4 × 48 × 2"	Class Up to A 0.75	*	*	*	*	*			
TECTUM® Direct-Attach Ceiling Panels (FSC® Certified) Long Edges Beveled/ Short Edges Beveled**	8174T10_ _ _	23-3/4 × 96 × 1"	Class Up to A 0.75	*	*	*	*	*			
	8174T15PC1_ _ _	23-3/4 × 96 × 1-1/2"	Class Up to A 0.75	*	*	*	*	*			
	8174T20PC1_ _ _	23-3/4 × 96 × 2"	Class Up to A 0.75	*	*	*	*	*			
TECTUM® Direct-Attach Ceiling Panels (FSC® Certified) Long Edges Beveled/ Short Edges Beveled**	8173T10_ _ _	47-3/4 × 96 × 1"	Class Up to A 0.75	*	*	*	*	*			
	8173T15PC1_ _ _	47-3/4 × 96 × 1-1/2"	Class Up to A 0.75	*	*	*	*	*			
	8173T20PC1_ _ _	47-3/4 × 96 × 2"	Class Up to A 0.75	*	*	*	*	*			
Quoted Panel Sizes	W 12" – 48" L: 12" – 144" 1", 1-1/2", or 2" thickness	Class Up to A 0.75	N/A	N/A	*	*	*	*			

FAST
4 WEEKS
or Less

FAST134 program items ready to ship from manufacturer in 4 weeks or less.
Up-to-date lead times and product options (sizes and colors) at armstrongceilings.com/fast134

- ◆ When specifying or ordering, include the appropriate 3-digit color suffix (e.g. 8182T10TNA – Direct-Attach Ceiling Panels with Long Edges Beveled/Short Edges Square – 23-3/4 × 48 × 1" in Natural)
- * Scratch-resistance is applicable to Natural and White panels only.
- ** Four-sided beveled edge panels are recommended in adjoining panel installations.



DIRECT-TO-STRUCTURE – Standard

TECTUM® Direct-Attach
TECTUM Direct-Attach
High NRC
Acoustical Ceiling Panels
coarse texture



LEED V5	
COMMON MATERIALS FRAMEWORK	Climate Health EPD
Human Health Declare Label	Ecosystem Health EPD
	HPD FSC
	3rd Party CDPH ✓
OCCUPANT EXPERIENCE	Acoustics ✓

VISUAL SELECTION

Item No. ◆	Dimensions W x L x H (Inches)
TECTUM® Direct-Attach High NRC Ceiling Panels	5338W2L04T10_ _ _ 23-3/4 × 48 × 1"
	5338W2L08T10_ _ _ 23-3/4 × 96 × 1"
Long Edges Beveled/Short Edges Square	5338W4L04T10_ _ _ 47-3/4 × 48 × 1"
	5338W4L08T10_ _ _ 47-3/4 × 96 × 1"
Quoted Panel Sizes	W 12" – 48" L: 12" – 144" 1", 1-1/2", or 2" thickness

◆ When specifying or ordering, include the appropriate 3-digit color suffix:
(e.g. 5338W2L04T10TNA – Direct-Attach High NRC Ceiling Panels with Long Edges Beveled/Short Edges Square – 23-3/4 × 48 × 1" in Natural)
* Scratch-resistance is applicable to Natural and White panels only.

PERFORMANCE Dots represent high level of performance.

Fire Rating	(White only) Light Reflect	Bio-Block/ Anti-Mold/Mildew	Humi-Guard+	CleanAssure™ Disinfectable Panels	DURABILITY	30-Yr Warranty	
Class	Up to				Impact	Scratch*	
Class A	Up to 0.75	*	*	*	*	*	*
Class A	Up to 0.75	*	*	*	*	*	*
Class A	Up to 0.75	*	*	*	*	*	*
Class A	Up to 0.75	N/A	N/A	*	*	*	*

ACOUSTICAL INFORMATION

Panel Thickness	UL Classified Acoustics NRC	Mounting Method
1" High NRC	0.60	D-20
	0.85	E-400

ACCESSORIES

Item No. ◆	Description	Quantity
5456GAL1_ _ _	Touch up paint	1 gallon
8187L16TWH†	#6 × 1-5/8" Painted Head – Sharp point Screws	1000/CTN
8187L22TWH†	#8 × 2-1/4" Painted Head – Sharp point Screws	1000/CTN
8187L30TWH†	#8 × 3" Painted Head – Sharp point Screws	1000/CTN
8188L16TWH†	#6 × 1-5/8" Painted Head – Drill point Screws	1000/CTN
8188L23TWH†	#8 × 2-1/4" Painted Head – Drill point Screws	1000/CTN
8188L30TWH†	#8 × 3" Painted Head – Drill point Screws	1000/CTN
8189L22TWH†	1/4" × 2-1/4" Painted Head – CMU Screws	100/CTN
8189L27TWH†	1/4" × 2-11/16" Painted Head – CMU Screws	100/CTN
8189L32TWH†	1/4" × 3-1/4" Painted Head – CMU Screws	100/CTN
1222	Truss Fastening Kit – Field Paintable	20/CTN
1222WH	Truss Fastening Kit – White	20/CTN
1222BL	Truss Fastening Kit – Black	20/CTN

NOTE: Projects may require alternative screw lengths and types depending on site conditions. Please consult installation instructions for guidance.
◆ When specifying or ordering, include the appropriate 3-digit color suffix:
(e.g. 5456GAL1TNA – Touch up paint in Natural)
† Touch up paint is available to paint screw heads in field if desired or specified.



TECTUM® Direct-Attach TECTUM Direct-Attach High NRC Acoustical Ceiling Panels coarse texture

USDA
CERTIFIED
BIOBASED
PRODUCT
PRODUCT 95%

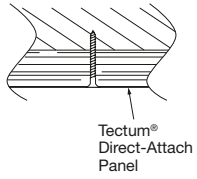


LEED V5

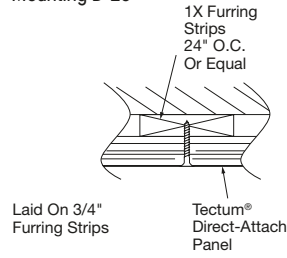
COMMON MATERIALS FRAMEWORK		Climate Health	EPD
Human Health	Declare Label	Ecosystem Health	EPD
	HPD		FSC
	3rd Party CDPH	Circular Economy	✓
OCCUPANT EXPERIENCE		Acoustics	✓

ACOUSTICAL MOUNTING METHODS

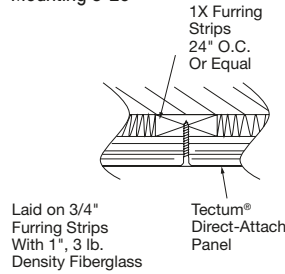
Mounting A



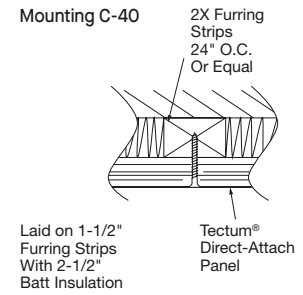
Mounting D-20



Mounting C-20

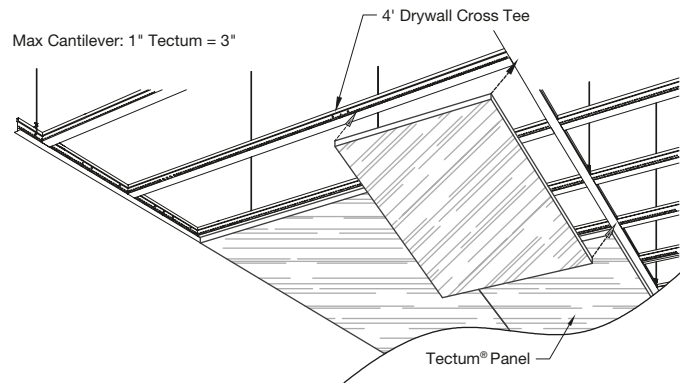
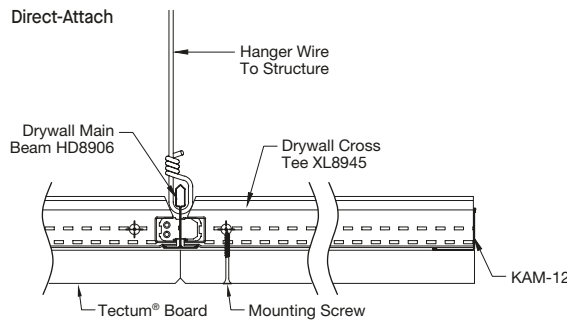


Mounting C-40

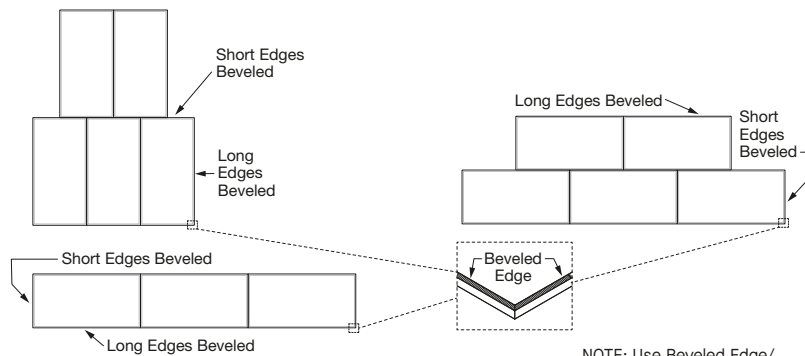


DRYWALL GRID SYSTEM MOUNTING METHOD

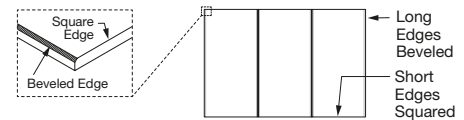
Direct-Attach



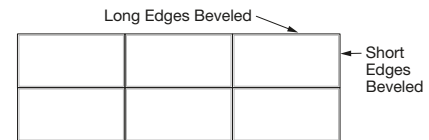
EDGE DETAIL



NOTE: Use Beveled Edge/Beveled End panels for all adjoining panel installations.



NOTE: Use Beveled Edge/Square End for the above panel layout.



NOTE: Stacked bond patterns are possible but not recommended. If you choose to proceed with this installation method, all adjoining panel joints must be installed Beveled Edge/Beveled Edge. Field trimming of panels may be necessary to achieve the desired fit and alignment.



DIRECT-TO-STRUCTURE - Standard

TECTUM® Direct-Attach TECTUM Direct-Attach High NRC Acoustical Ceiling Panels coarse texture

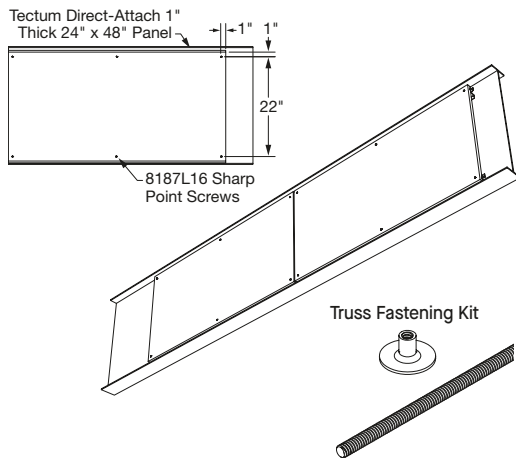
USDA
CERTIFIED
BIOBASED
PRODUCT
PRODUCT 95%



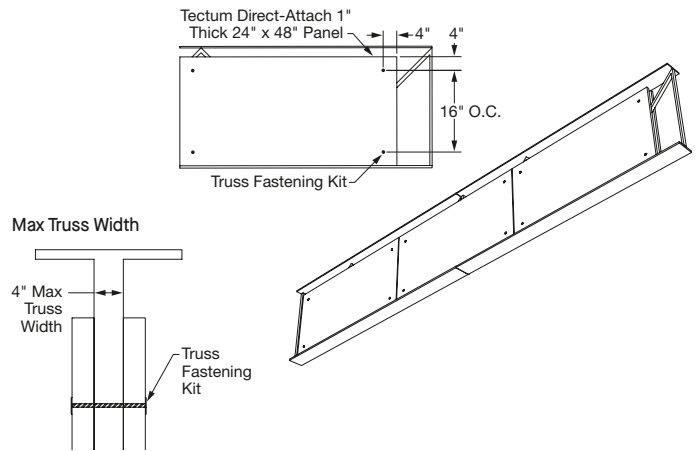
LEED V5		COMMON MATERIALS FRAMEWORK	Climate Health	EPD
Human Health	Declare Label	HPD	Ecosystem Health	EPD
	3rd Party CDPH		Circular Economy	✓
OCCUPANT EXPERIENCE			Acoustics	✓

I-BEAM AND TRUSS INSTALLATION For 1" Panels Only

I-Beam Installation



Truss Installation



PHYSICAL DATA

Material

Cementitious Wood Fiber; Tectum High NRC panels have an acoustical fleece.

Surface Finish

Factory-applied latex paint on abuse-resistant silicate surface coating. Natural finish is unpainted but, after coating is applied, panels may appear light in color.

Panels are painted on the edge, however due to fibrous texture of panels, certain angles and lighting conditions will make edge appear less or more painted.

Can be field painted up to 6 times without impacting acoustic or fire performance. See installation instructions for details on paint and application method.

Fire Performance

Class A per IBC. Flame Spread Index 25 or less and Smoke Developed Index 50 or less when tested in accordance with ASTM E84.

CAN/ULC S102 surface burning characteristics. Flame Spread Index of 25 or less and Smoke Developed Index of 50 or less.

VOC Emissions

Third-party certified compliant with California Department of Public Health CDPH/EHLB/Standard Method Version 1.2, 2017. This standard is the guideline for low emissions in LEED®, WELL Building Standard™, CalGreen Title 24, ANSI/ASHRAE/USGBC/IES Standard 189; ANSI/GBI Green Building Assessment Protocol.

Humidity/Sag Resistance

HumiGuard® Plus performance panels are recommended for areas subject to high humidity, up to, but not including, standing water and outdoor applications.

Anti-Mold/Mildew

Ceiling panels with BioBlock® performance resist the growth of mold and mildew on the panel surface.

Installation Considerations

Panels must be mechanically attached to approved substrate per installation instructions. To achieve proper finished visual, panels should be installed in an ashlar pattern. Four-sided beveled edge panels are recommended in adjoining panel installations.

Use caution and wear appropriate hand, eye, and dust mask protection when cutting and installing Tectum panels. Refer to installation instructions for complete details and cutting recommendations.

Primary (Embodied) Energy

See all LCA information on our EPDs.

Application Considerations

Color variation among panels is common due to the natural characteristics of the wood on White and Natural panels.

Wood fibers may appear orange on natural-colored panels due to the characteristics of the wood.

Low angle lighting exaggerates variation inherent to the manufacturing process and is not recommended for Tectum installations.

Design Considerations

Maximum panel size for Truss and I-Beam application is 24 x 48 x 1".

Seismic Restraint

Tectum Direct-Attach panels are approved for application in all seismic areas when installed per the seismic guidelines in the Armstrong® installation instructions.

Design & Pre-Construction Service

For complimentary design and pre-construction assistance, contact ProjectWorks® or visit armstrongceilings.com/projectworks

Cleaning and Disinfecting

Cleaning and CDC-approved disinfecting options available on armstrongceilings.com/cleaning

Warranty

30-Year Warranty. Details at armstrongceilings.com/warranty

FAST134 Program Considerations

Size of Job Matters: Big jobs over 2500 SF, or 50 pieces for shapes/vertical elements, will have longer lead times.

Location Matters: Transit time not included. We are ready to ship in 1 week on FAST1 items. However, transit to the states west of Wyoming may add time.

Distributor Truck Schedule Matters: We rely on distribution to help move products around the country. When speed matters, work with your local distributor to ensure FAST134 service.

Stock vs Made-to-Order Matters: FAST3 & FAST4 items are made-to-order and will ship direct to distributor. FAST1 (stocked items) will go through distribution and depend on distributor truck schedules.

Weight, Pcs and SF/Pallet

1" - 1.65 lbs/SF

1-1/2" - 2.53 lbs/SF

2" - 3.3 lbs/SF

8180T10, 8173T10 - 36 pcs/pallet; 1,152 SF/pallet

8181T10, 8174T10 - 72 pcs/pallet; 1,152 SF/pallet

8182T10, 8175T10 - 72 pcs/pallet; 572 SF/pallet

8173T15, 8180T15 - 24 pcs/pallet; 768 SF/pallet

8174T15, 8181T15 - 48 pcs/pallet; 768 SF/pallet

8175T15, 8182T15 - 48 pcs/pallet; 384 SF/pallet

8173T20, 8180T20 - 18 pcs/pallet; 576 SF/pallet

8174T20, 8181T20 - 36 pcs/pallet; 576 SF/pallet

8175T20, 8182T20 - 36 pcs/pallet; 288 SF/pallet

5338W4L08T10, 5338W4L04T10, 5338W2L08T10, 5338W2L04T10 - sold by the piece

