

TECTUM® Finale™ PB
with Plant-based Binder Infill
Acoustical Ceiling Panels
coarse texture



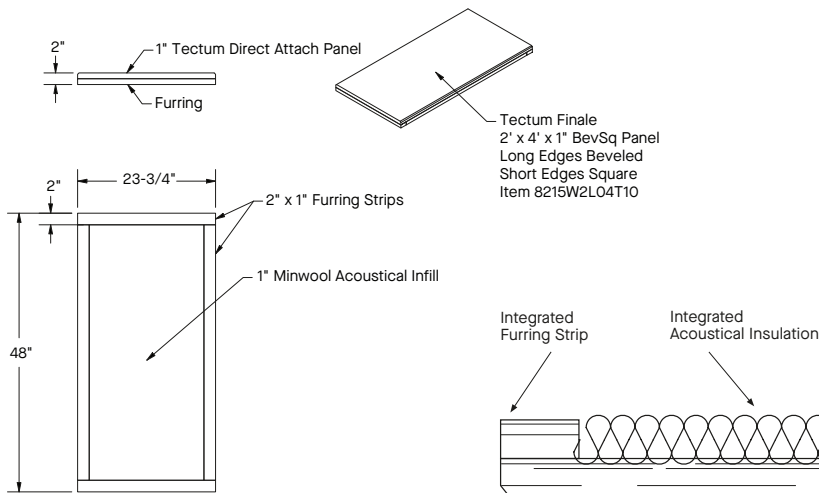
Tectum Finale PB ceiling panels in White

Integrated furring strips and a plant-based acoustical infill reduce installation time and offer excellent sound absorption.

KEY SELECTION ATTRIBUTES

- Built-in 1" thick furring pieces with factory-filled plant-based acoustical panels provide maximum sound control and install 2.5x faster than Direct-Attach for the same acoustic performance
- Panels have UL® Certified acoustics with acoustical testing and reporting that align with industry-wide best practices
- Panels are manufactured with a plant-based binder infill
- Sustainable Beyond Standard: Panels in non-standard sizes and all standard Finale PB panels are part of the Sustain® portfolio, and meet the most stringent industry sustainability compliance standards today
- Panels sold by the piece – get the quantity you need without extra material
- Built-in furring pieces with factory-filled panels provide maximum sound control and install 2.5x faster than Direct-Attach for the same acoustic performance
- Excellent sound absorption – up to 0.85 NRC (mounting method dependent)
- Panels are beveled on long edges, square on short sides. Custom panels are available in additional sizes and thicknesses upon request at: ASQuote@armstrongceilings.com
- CleanAssure™ family of products – includes disinfectable panels, suspension systems, and trim (standard colors)
- Abuse-resistant for active spaces
- Can be mechanically fastened to a wide variety of surfaces including masonry, drywall, wood, and more
- Made in the U.S.A. of domestic and global content
- Build America, Buy America (BABA) Act compliant

PANEL CONSTRUCTION DETAIL



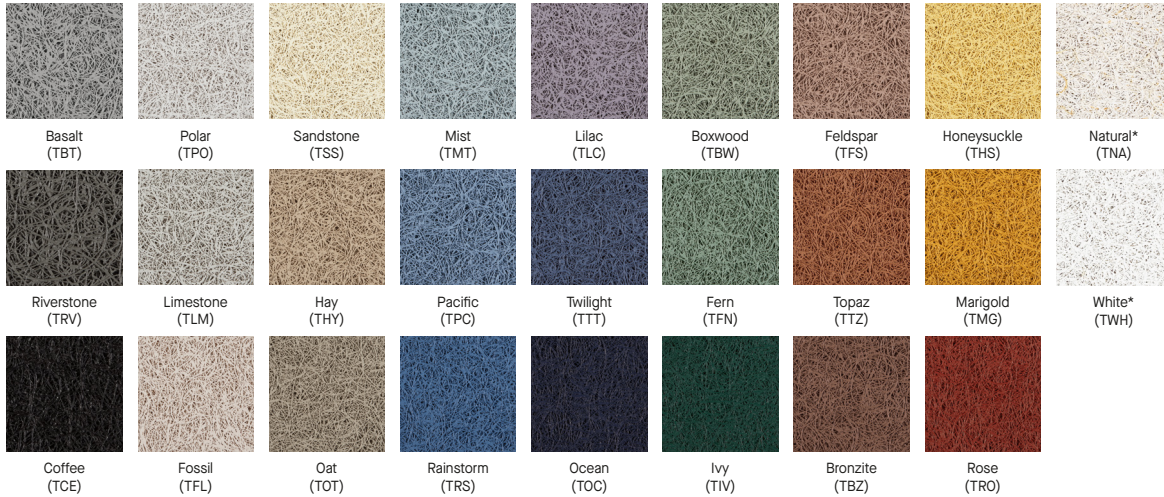
TECTUM® Finale™ PB
with Plant-based Binder Infill
Acoustical Ceiling Panels
coarse texture



COMMON MATERIALS FRAMEWORK		Climate Health	EPD
Human Health	Declare Label HPD	Ecosystem Health	EPD FSC®
	3rd Party CDPH	Circular Economy	✓
OCCUPANT EXPERIENCE		Acoustics	✓

TECTUM DESIGN CAPABILITIES

COLORS Due to printing limitations, shade may vary from actual product.



Custom Colors Available**

* Standard color options; Nature-inspired colors are premium. All colors shown are pre-qualified to meet Sustain* portfolio requirements.

** Custom, made-to-order colors must be evaluated if sustainability criteria is required. Lead time will increase. Contact ASQuote@armstrongceilings.com

HIGH DESIGN IN STANDARD PRODUCTS A New Way to Think About Tectum



Tectum® DesignArt®
Mix and match Shapes and Lines for a truly unique visual!
armstrongceilings.com/designart



Tectum® Create!™
Create beautiful, unique spaces with printed imagery!
armstrongceilings.com/tectumcreate



Tectum® Direct-Attach Walls
Transform your spaces with strength and style!
armstrongceilings.com/tectumwalls



TECTUM® Finale™ PB
with Plant-based Binder Infill
Acoustical Ceiling Panels
coarse texture



LEED V5

COMMON MATERIALS FRAMEWORK		Climate Health	EPD
Human Health	Declare Label	Ecosystem Health	EPD
	HPD		FSC®
	3rd Party CDPH	Circular Economy	✓
OCCUPANT EXPERIENCE		Acoustics	✓

VISUAL SELECTION

Item No. ♦	Dimensions W × L × D* (Inches)
TECTUM® Finale™ PB Ceiling Panels 8255W2L04T10_ _ _	23-3/4 × 48 × 1"
8255W4L04T10_ _ _	47-3/4 × 48 × 1"
8255W2L08T10_ _ _	23-3/4 × 96 × 1"
8255W4L08T10_ _ _	47-3/4 × 96 × 1"

PERFORMANCE Dots represent high level of performance.

Fire Rating	Light Reflect (White only)	Bio-Block	Humi-Guard+	CleanAssure™ Disinfectable Panels	DURABILITY		30-Yr Warranty
					Fog	Impact	
Class A	Up to 0.75	*	*	*	*	*	*
Class A	Up to 0.75	*	*	*	*	*	*
Class A	Up to 0.75	*	*	*	*	*	*
Class A	Up to 0.75	*	*	*	*	*	*

ACOUSTICAL INFORMATION

Total Panel Thickness	UL Classified Acoustics	
	NRC	Mounting Method
1" panel with plant-based binder infill & 1" furring	0.80 *	A
	0.85 *	D-20

- ♦ When specifying or ordering, include the appropriate 3-digit color suffix: (e.g. 8255W2L04T10TNA – Finale PB Ceiling Panels – 23-3/4 × 48 × 1" in Natural)
- * Total panel thickness is 2" with furring included.
- ** Scratch-resistance is applicable to Natural and White panels only. For four-sided beveled edge panels, special sizes and colors, call TechLine at 877 276-7876. For 1-1/2" and 2" thicknesses, special sizes, and colors, contact ASQuote@armstrongceilings.com.

ACCESSORIES

Item No. ♦	Description	Quantity
5456GAL1_ _ _	Touch up paint	1 gallon
8187L30TWH†	#8 × 3" Painted Head Sharp Point Screw	1000/CTN
8188L30TWH†	#8 × 3" Painted Head Drill Point Screw	1000/CTN
8189L32TWH†	3-1/4" Painted Head CMU Screw	500/CTN

- NOTE: Projects may require alternative screw lengths and types depending on site conditions. Please consult installation instructions for guidance.
- ♦ When specifying or ordering, include the appropriate 3-digit color suffix: (e.g. 5456GAL1TNA – Touch up paint in Natural)
 - † Touch up paint is available to paint screw heads in field if desired or specified.



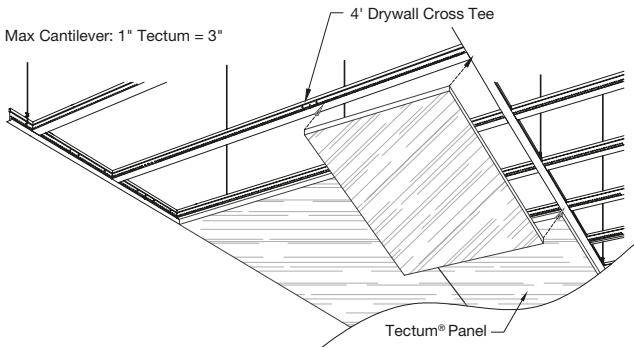
DIRECT-TO-STRUCTURE

TECTUM® Finale™ PB
with Plant-based Binder Infill
Acoustical Ceiling Panels
coarse texture

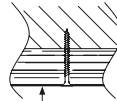


COMMON MATERIALS FRAMEWORK		Climate Health	EPD
Human Health	Declare Label	Ecosystem Health	EPD
	HPD		FSC®
	3rd Party CDPH	Circular Economy	✓
OCCUPANT EXPERIENCE		Acoustics	✓

ACOUSTICAL MOUNTING METHODS



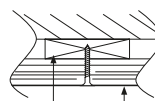
Mounting A



Beveled Edge
Tectum Finale
Ceiling Panel

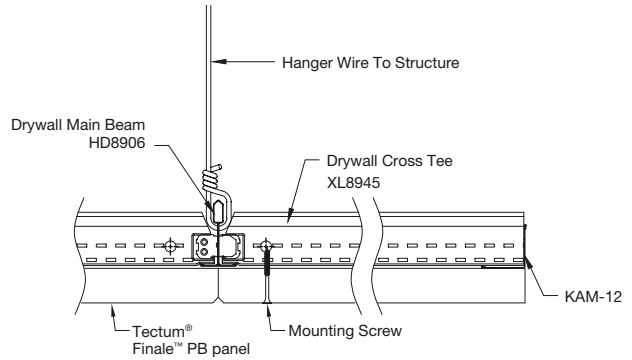
Laid Directly Against
Ceiling Surface

Mounting D-20

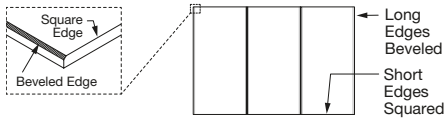


1x Furring
Strips 24" O.C.
or Equal
Beveled Edge
Tectum Finale
Wall or Ceiling Panel

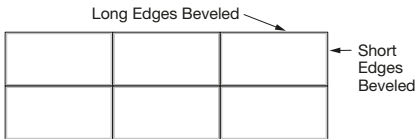
Laid on 3/4" Furring Strips



EDGE DETAIL RECOMMENDATIONS



NOTE: For layout to the left, use standard Beveled Edge/Square End panels.



NOTE: Stacked bond patterns are possible but not recommended. If you choose to proceed with this installation method, all adjoining panel joints must be installed Beveled Edge/Beveled Edge. Field trimming of panels may be necessary to achieve the desired fit and alignment.

PHYSICAL DATA

Material

FSC® Certified (FSC® C007626)
Cementitious Wood Fiber; FSC® certified. Panels have a fiberglass, plant-based binder infill.

Surface Finish

Factory-applied latex paint on abuse-resistant silicate surface coating. Natural finish is unpainted, but after the coating is applied, panels may appear light in color.

Panels are painted on the edge, however due to fibrous texture of panels, certain angles and lighting conditions will make edge appear less or more painted.

Can be field painted up to 6 times without impacting acoustic or fire performance. See installation instructions for details on paint and application method.

Fire Performance

Class A per IBC. Flame Spread Index 25 or less and Smoke Developed Index 50 or less when tested in accordance with ASTM E84. CAN/ULC S102 surface burning characteristics. Flame Spread Index of 25 or less and Smoke Developed Index of 50 or less.

Humidity/Sag Resistance

HumiGuard® Plus panels are recommended for areas subject to high humidity, up to, but not including, standing water and outdoor applications.

Mold/Mildew Protection

Ceiling panels with BioBlock® performance resist the growth of mold and mildew.

VOC Emissions

Third-party certified compliant with California Department of Public Health CDPH/EHLB/Standard Method Version 1.2, 2017. This standard is the guideline for low emissions in LEED®, WELL Building Standard®, CalGreen Title 24, ANSI/ASHRAE/USGBC/IES Standard 189; ANSI/GBI Green Building Assessment Protocol.

Installation Considerations

Use caution and wear appropriate hand, eye, and dust mask protection when cutting and installing Tectum panels. Refer to installation instructions for complete details and cutting recommendations.

Application Considerations

Color variation among panels is common due to the natural characteristics of the wood.

Wood fibers may appear orange on natural-colored panels due to the characteristics of the wood.

Wood fibers may vary in size within a panel and from panel-to-panel due to the characteristics of the wood.

1" furring will be visible from the side. Furring strips will be painted to match the panel face. Natural face panels will have natural furring strips.

Design & Pre-Construction Service

For complimentary design and pre-construction assistance, contact ProjectWorks® or visit armstrongceilings.com/projectworks

Specification Consideration

FSC-certified panels available upon request. Attention: For FSC-certified wood products to maintain their CoC certification, products must be sold to a CoC-certified distributor or directly to the installing contractor. Failure to do so breaks the CoC.

Seismic Restraint

Tectum ceiling panels are approved for application in all seismic areas when installed per Armstrong Ceilings Installation Instructions.

Cleaning and Disinfecting

Cleaning and CDC-approved disinfecting options available on armstrongceilings.com/cleaning

Warranty

30-Year Performance Guarantee and Warranty when installed with Armstrong® Suspension System. Details at armstrongceilings.com

Weight and Pieces

3 LBS/SF, sold by the piece

