



Ceiling &  
Wall Panels

TECTUM<sup>®</sup>

**Armstrong<sup>®</sup>**  
CEILING & WALL SOLUTIONS

# TECTUM®

## Ceiling & Wall Panels

Tectum® ceiling and wall panels provide durable, sustainable, acoustical solutions with unlimited design options. Tectum 1" thick panels are part of the Sustain® portfolio and meet the most stringent sustainability standards today. Tectum panels also have UL® Certified acoustics with acoustical testing and reporting that align with industry-wide best practices.

Direct-Attach in custom colors;  
Kalamazoo Public Library, Kalamazoo, MI;  
David Milling Architects, Ann Arbor, MI ▶



4

SUSTAINABILITY



6

DIRECT-ATTACH &  
DIRECT-ATTACH  
HIGH NRC



8

TECTUM®  
CREATE!™



10

DESIGNART™ - SHAPES  
& DESIGNART™ - LINES



12

LAY-IN & TEGULAR  
AND LAY-IN &  
TEGULAR HIGH NRC



13

FINALE™ &  
FINALE™ PB



14

BLADES &  
BAFFLES



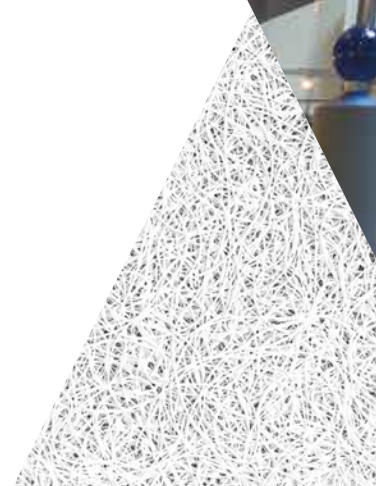
15

SHAPES &  
CLOUDS



17

MADE TO FIT







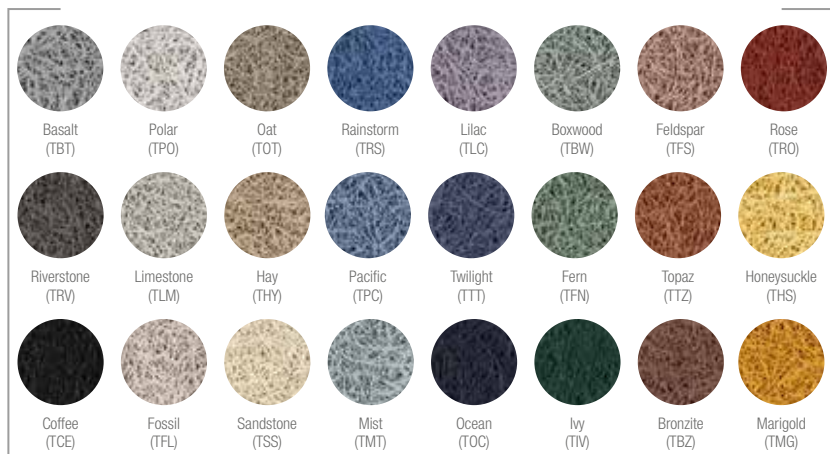




▲ Tectum Direct-Attach Ceiling Panels; Temple School of Architecture, Philadelphia, PA; NELSON, Philadelphia, PA

# The SUSTAIN<sup>®</sup> Portfolio Contributes To Better Spaces

1" Thick Tectum<sup>®</sup> Panels in Standard Colors



Available as standard colors for Tectum<sup>®</sup> DesignArt™ - Shapes and Tectum DesignArt - Lines only

Here's how:

- Contribute to LEED<sup>®</sup> v4 (including new Materials and Resources credits)
- Have Health Product Declarations (HPDs) which tell you what's in the products
- Are free of Red List chemicals per Living Building Challenge<sup>®</sup> 3.0 (including no added formaldehyde)
- Have Declare<sup>®</sup> labels – easy reference “nutrition labels”
- Meet California Department of Public Health (CDPH) low emissions standards
- Have Environmental Product Declarations (EPDs) which tell you the impact of the products
- Contribute to Living Building Challenge
- Contribute to WELL Building Standard<sup>™</sup>



\* Colors that are pre-qualified to meet Sustain portfolio requirements are available upon request. Other made-to-order colors must be evaluated if sustainability criteria is required. Lead time will increase.



# Made from NATURE

Tectum® products are made of fibers from one of the most sustainably harvested trees of its kind, the Wisconsin Aspen. The part of the Aspen that grows above ground can live between 40-150 years. The root system of the Aspen can survive thousands of years. Aspen quickly regenerate from their root system after the trunks have been harvested. Plus, many Tectum panels are certified by the Forest Stewardship Council® (FSC), ensuring wood comes from responsibly managed forests.

Tectum products are made of natural fibers and binders that are turned into unique, sound-absorbing, textured ceiling and wall panels that bring nature inside. Ideal for spaces where sustainability, durability, and noise control are needed.



The mark of responsible forestry

▼ Wisconsin Aspen Trees









▲ Tectum High NRC 47-3/4" x 96" Direct-Attach wall panels in White

# Direct-Attach & Direct-Attach High NRC FIT THE BILL

Install panels directly to ceilings and walls to add durability and noise reduction to a wide variety of spaces using a sustainable solution.

-  - Tectum® Direct-Attach panels now have UL® Certified acoustics with acoustical testing and reporting that align with industry-wide best practices
-  - Tectum High NRC panels have a proprietary, factory-applied acoustical backing, adding sound absorption that is UL-certified
- 1" thick panels are part of the Sustain® and CleanAssure™ portfolios
- Excellent sound absorption – NRC up to 1.0 (mounting and thickness dependent)
- Retrofit solution for noise reduction
- Can be mechanically fastened to a wide variety of surfaces
- Install 1" thick Tectum on Trusses and I-Beams for added acoustics while maintaining an exposed structure visual on the deck
- Durable for heavy-use interiors, pools, and exterior-covered spaces



**SUSTAIN®**  
High Performance  
Sustainable  
Ceiling Systems



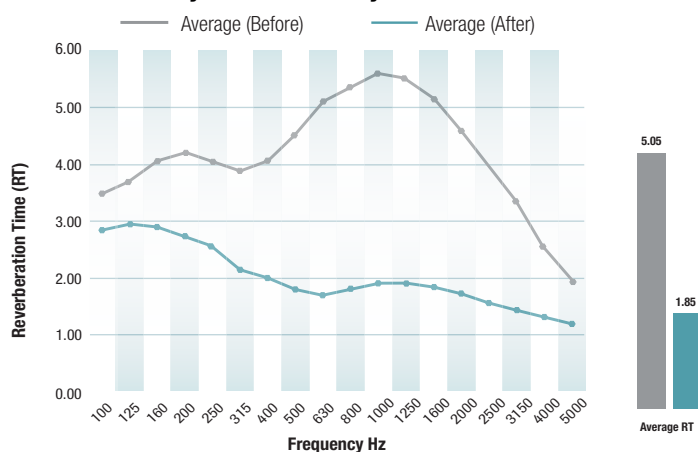
**24/7  
DEFEND™**  
Solutions for Healthier,  
Safer Spaces

CASE STUDY



Project | Boys & Girls Club of Lancaster  
 Location | Lancaster, PA  
 Architect | You Inspire™ Solutions Center  
 Product | Tectum® Direct-Attach Wall Panels,  
 Tectum Panel Art Shapes and Soundsoak® Baffles

Boys & Girls Club Gymnasium



## the challenge:

The gymnasium at the Boys & Girls Club of Lancaster is in use every day, not only for sports activities but a variety of other functions as well. Its acoustic environment, however, was not always ideal. Acoustical testing showed that reverberation time in the gym was 5.05 seconds, far above the 2.00 seconds or less recommended for this type of space. As Karen Schloer, the Club's chief executive officer, notes, "The noise level was putting a real strain on the staff because they had to shout so often when trying to communicate with the kids."

## the solution:

To solve the problem, Armstrong Ceiling and Wall Solutions installed more than 3,500 square feet of Tectum® Direct-Attach wall panels on the gym's masonry walls. The panels were chosen because of their ability to absorb both sound and the impact of basketballs, volleyballs, and other objects that hit the walls.

Aesthetically, the two-inch-thick, 2' x 4' panels are installed in ribbons of white and a custom blue that match the Club's colors. They start nearly 10 feet off the floor and continue up the wall another 18 feet.

In addition, a re-creation of the Boys & Girls Club logo is installed at each end of the gym. The 15-foot wide and 13-foot high visual of two interlocking hands was created using eight-inch triangular custom Tectum panels. The white triangles are one-inch thick, while the blue triangles are two-inches thick so that they stand out from the wall. Two rows of 12 Soundsoak® Baffles were installed in the center of the ceiling for added noise absorption.

Acoustically, the 2" Direct-Attach Tectum wall panels have a Noise Reduction Coefficient (NRC) of 0.70. Acoustical testing conducted after the installation of the combination acoustical treatment showed that reverberation time dropped to 1.85 seconds, a 63% reduction. According to Chief Operations Officer, Scott McLellan, "The difference is like night and day. The biggest takeaway is how much easier it is now for the staff to gain control of the space because the kids can hear directions much more clearly."

Looking back at the difference in the gym's acoustic comfort, McLellan adds, "The staff simply didn't realize how bad it was because they didn't realize how good it could be."



# Tectum® Create!™ Direct-Attach FIT THE AESTHETIC

Transform interior spaces with distinctive image depth and personality with texture-rich custom panels.

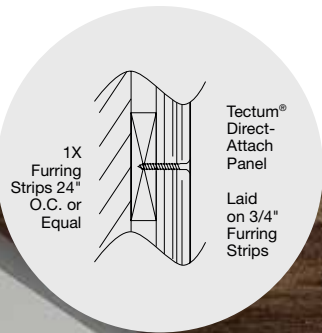
- 1" thick Tectum® Create!™ Direct-Attach panels are now available in four standard designs, or submit your own custom artwork
- Repeat panel patterns that can span wall surfaces in both vertical and horizontal directions
- Marry art with excellent sound absorption – NRC up to 0.85 (mounting method dependent)
- Panel sizes include 23-3/4" x 48" and 47-3/4" x 96" with long and short beveled edges (no additional custom sizes available)
- Panels can be directly attached to a wide variety of interior wall surfaces
- Tectum Create! panels are part of the Sustain® and CleanAssure™ portfolios



**SUSTAIN®**  
High Performance  
Sustainable  
Ceiling Systems



**24 / 7  
DEFEND™**  
Solutions for Healthier,  
Safer Spaces



▼ 1" thick Tectum Create! Direct-Attach 47-3/4" x 96" Rustic Plank ceiling & wall panels





▼ 1" thick Tectum® Create!™ Direct-Attach 47-3/4" x 96" custom wall panels





# DesignArt™ - Shapes & DesignArt™ - Lines FIT TO TRANSFORM

Combining texture, shapes, linear designs, patterns, and colors with sustainable, acoustical Tectum® DesignArt™ Ceiling and Wall panels.

- Mix and match 46 standard Shapes and Lines to create your own unique visual
- 30 standard Shapes direct-attach ceiling and wall panels
- 8 standard Lines direct-attach ceiling and wall panels
- 8 standard Lines tegular ceiling panels
- 24 new standard colors inspired by nature
- Over 100 variations of pre-designed patterns ready to add energy and beauty to your interiors
- 1" thick panels are part of the Sustain® and CleanAssure™ portfolios
- Tectum® DesignArt™ panels have UL® Certified acoustics with testing and reporting that align with industry-wide best practices
- Color-coordinated suspension systems available



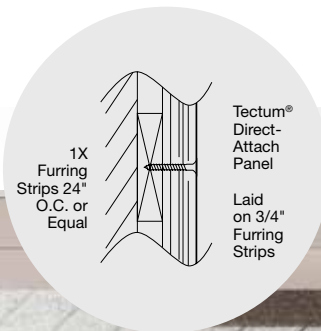
**SUSTAIN\***  
High Performance  
Sustainable  
Ceiling Systems



**24 / 7**  
**DEFEND\***  
Solutions for Healthier,  
Safer Spaces

▼ Tectum DesignArt - Shapes Direct-Attach and Tectum DesignArt - Lines Direct-Attach Wall panels pattern TDSL - 0005

Visit our online pattern gallery at:  
[armstrongceilings.com/patterngallery](http://armstrongceilings.com/patterngallery)





## the challenge:

Our Town Brewery, a 6,000-square-foot pub housed in a former auto showroom, opened in September 2020. According to owner Rob Tarves, a common complaint soon after opening was acoustics. "Patrons said they couldn't hear themselves think," he says. "In addition, we weren't able to conduct trivia contests as we had hoped and had to limit our live music choices." Improving acoustics while maintaining the brewery's aesthetic thus became the challenge.



## CASE STUDY

Project | *Our Town Brewery*  
Location | *Lancaster, PA*  
Product | *Tectum® DesignArt™ - Shapes*

## the solution:

To help remedy the situation, Tarves contacted Armstrong Ceiling & Wall Solutions. "The space was full of flat surfaces including picture windows on three sides," Armstrong designer Marie DePaul explains. "Plus, the owner wanted to preserve the brewery's 91-year-old tin ceiling, which meant there were not a lot of surfaces to treat acoustics. The challenge was to install enough acoustic treatment to make a difference and also contribute to the design of the space."

Selected for use were Armstrong Tectum® DesignArt™ - Shapes, which are direct-attach wall panels. The durable panels feature a unique textured wood fiber visual and are ideally suited for high-traffic interiors. Tectum DesignArt panels transform interior spaces by combining texture, shapes, patterns, and colors with sustainability and acoustics. As part of the Armstrong Sustain® portfolio, standard Tectum DesignArt panels meet the most stringent industry sustainability compliance standards today.

The focal point of the space is now a 33-foot-long x 7-foot-high mosaic-type wall pattern above the bar. It was created using Tectum DesignArt - Shapes and consists of 48 full hexagons and 37 partial hexagons in Polar, the standard color, and three custom colors: light gray, medium gray, and dark gray. Hexagonal panels in a blue/green color were installed on the side and front walls.

All together, 167 two-foot-wide Tectum DesignArt hexagons were installed. The colors were chosen to match the pub's brand design and to complement the existing aesthetics. "The ability to work with a brand's standards to coordinate custom colors was key," DePaul adds.

According to Tarves, installation went quickly and smoothly. One reason was that each panel was labeled as to where it went in the pattern. The panels were installed on 1" thick furring strips which results in a Noise Reduction Coefficient (NRC) of 0.85, meaning they absorb 85% of the sound that strikes them.

Once complete, Tarves notes both the patrons and the staff noticed the improvement. Acoustical tests confirmed it. Reverberation time fell from 4.94 seconds to 2.88 seconds, a 42% reduction. As Tarves says, "The efficacy of the panels was quickly evident. You could hear the difference as each panel was installed.

"We wanted the space to look great and control sound at the same time," Tarves adds. "The Tectum DesignArt panels accomplished that by combining aesthetics and acoustics."

# Lay-in & Tegular and Lay-in & Tegular High NRC FIT FOR PURPOSE

Durable, sustainable, noise control for spaces requiring acoustics and design flexibility.

**new** - Tectum® Lay-in and Tegular panels now have UL® Certified acoustics with acoustical testing and reporting that align with industry-wide best practices

**new** - Tectum High NRC panels have a proprietary, factory-applied acoustical backer, adding sound absorption that is UL-certified

- 1" thick panels are part of the Sustain® and CleanAssure™ portfolios

- Tegular panels have Total Acoustics® Performance (NRC 0.90 CAC 35) with 1713 infill panel

- Durable for heavy-use interiors



**SUSTAIN™**  
High Performance  
Sustainable  
Ceiling Systems

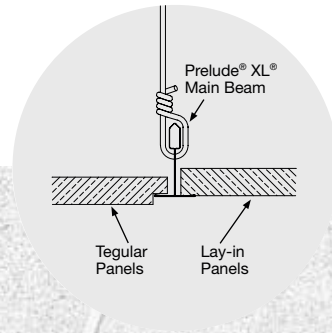


**24/7  
DEFEND™**  
Solutions for Healthier,  
Safer Spaces



**TOTAL  
ACOUSTICS®**  
Sound Absorption (NRC)  
+ Sound Blocking (CAC)

▼ Tectum Tegular 24" x 48" panels in White with Prelude® XL® 15/16" suspension system










▲ Tectum Finale PB ceiling and wall panels in White

# Finale™ & Finale™ PB A SOUND FIT

Tectum® Finale™ and Finale™ PB ceiling and wall panels have built-in furring pieces with factory-filled panels that provide maximum sound control and install 2.5x faster than C-20 mount Direct-Attach panels for reduced installation costs. A perfect way to add acoustics to exposed structure spaces.

-  - Tectum Finale and Finale PB now have UL® Certified acoustics with acoustical testing and reporting that align with industry-wide best practices
-  - Finale PB panels are manufactured with a plant-based binder infill
-  - Finale PB panels are part of the Sustain® portfolio
- All panels are part of the CleanAssure™ portfolio
-  - Select products included in the FAST134 program – ready to ship in 4 weeks or less
- Excellent sound absorption – NRC up to 0.90 (mounting method dependent)
- Available in White, Natural, and custom colors



**SUSTAIN®**  
High Performance  
Sustainable  
Ceiling Systems



**24/7  
DEFEND™**  
Solutions for Healthier,  
Safer Spaces

# Blades & Baffles

## FIT TO THE MAX

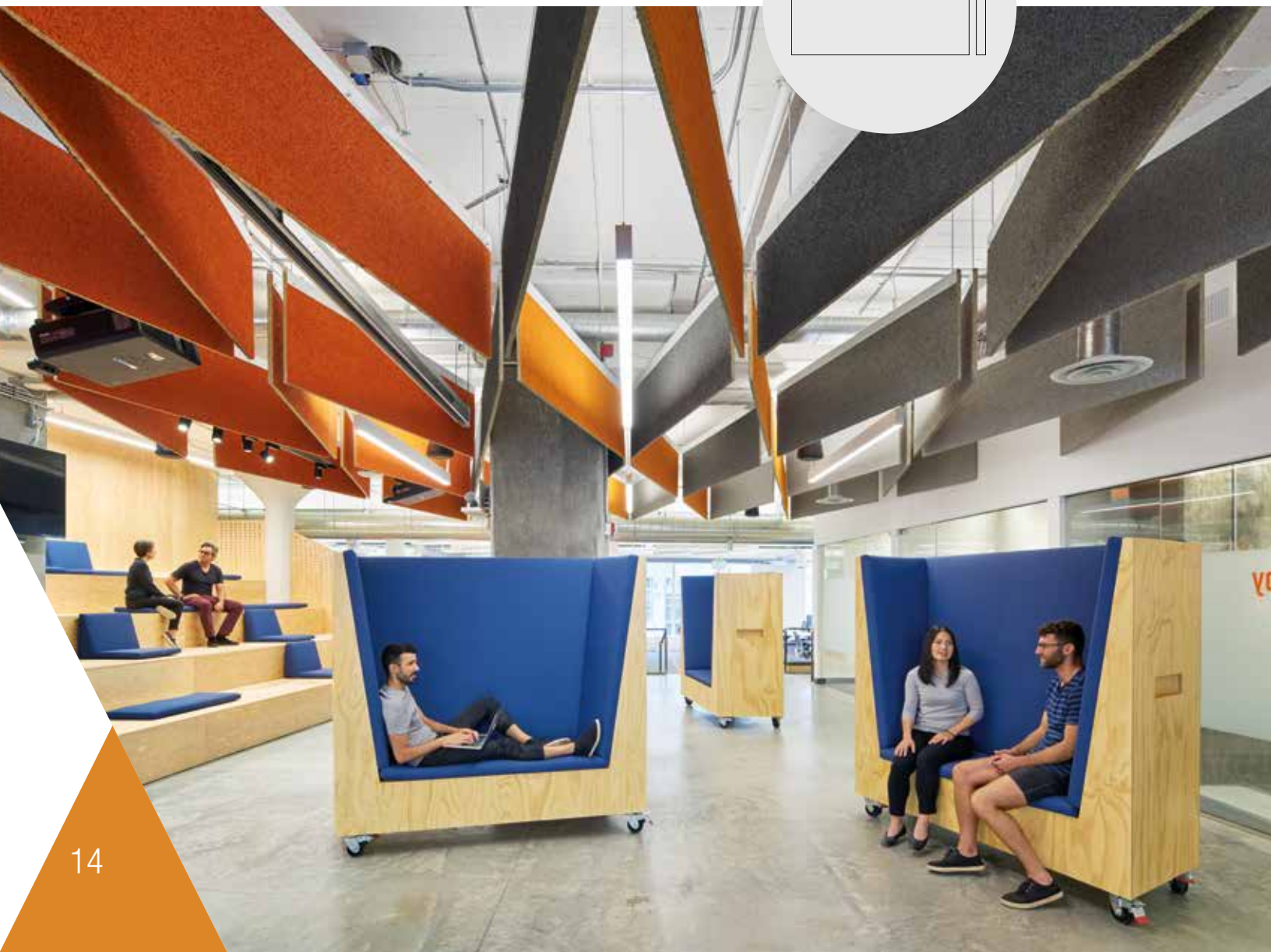
Vertical elements control acoustics with an upscale linear visual.

- Upscale linear visual adds acoustics and aesthetics to any space
- Noise absorption up to 0.60 Sabins/SF
- Custom shapes and sizes available to meet your project needs
- Mounting channels available to extend panel length beyond four feet

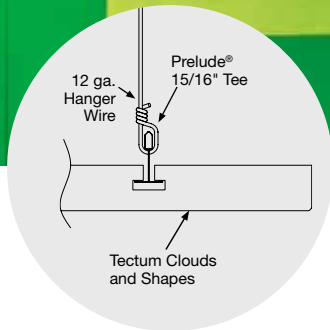


▼ Tectum® Blades custom acoustical panels; Cisco Umbrella, San Francisco, CA

Hang with hanger wire or aircraft cables







▲ Tectum® Clouds; Retail Me Not, Austin, TX; STG Design, Austin, TX

- Noise absorption up to 0.50 Sabins/SF
- Wide variety of color options available
- Installs with Prelude® 15/16" suspension system
- Square or radius edges
- Made in sizes up to 4' and can be suspended or direct-attached to drywall grid system

# Shapes & Clouds

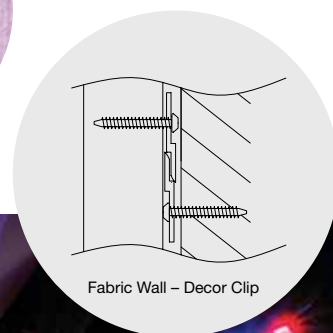
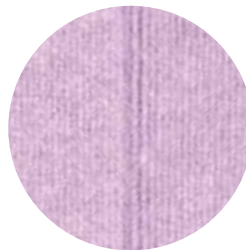
## FLEXIBLE FIT

Shapes and Clouds offer design flexibility in a floating system.

# Fabric Walls TWICE THE FIT

Tectum® fabric walls do double duty, providing both acoustics and a tackable surface for displays and bulletin boards.

- Abuse-resistant, fabric-wrapped panels attach directly to walls
- Excellent Noise Absorption – NRC up to 0.90
- Mounting is quick and easy using internal spline system
- Durable fabric options available



▼ Tectum Fabric wall panels; Southland Christian Church, Lexington, KY







▲ 1" thick Tectum® Create!™ Direct-Attach 47-3/4" x 96" custom wall panels

# TECTUM® MADE TO FIT

Tectum® ceiling and wall panels are available in a variety of sizes, shapes, forms, and colors. Select from a natural factory finish, white, or made-to-order colors. Panels can be field painted up to six times without impacting acoustic or fire performance. Tectum panels are made to fit your design needs.



▲ Tectum® DesignArt™ - Lines Direct-Attach Wall Panels

SIZES  
COLORS  
ACOUSTICS

TECTUM® PANELS

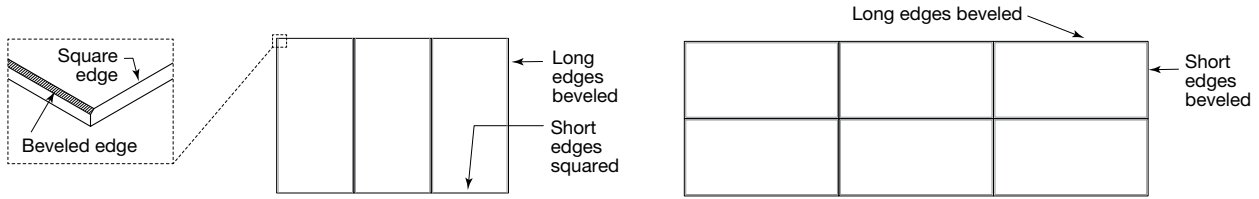
	Width	Length	Thickness
Blades & Baffles	23-3/4" – 47-3/4"	11-3/4" – 23-3/4"*	1", 1-1/2", 2"
Shapes & Clouds	23-3/4" – 47-3/4"	Up to 96"	1-1/2", 2"
Direct-Attach	23-3/4" – 47-3/4"	48" – 144"	1", 1-1/2", 2"
DesignArt™ - Shapes	6" – 48"	6-15/16" – 48"	1"
DesignArt™ - Lines	24"	24"	1"
Finale™ and Finale™ PB	23-3/4" – 47-3/4"	48" – 144"	1", 1-1/2", 2"
Lay-in & Tegular	23-3/4" – 47-3/4"	23-3/4" – 47-3/4"	1", 1-1/2", 2"
Fabric Walls	23-3/4" – 47-3/4"	48" – 120"	1", 1-1/2", 2"

\* Available height for Blades & Baffles. Length can extend beyond 48" with mounting channels.

Product	Panel Thickness	Weight (Sq.Ft.)	Mounting NRC Rating				
			Suspended NRC	A Mounting NRC	D-20 Mounting NRC	C-20 Mounting NRC	C-40 Mounting NRC
Tectum® Blades & Baffles	1"	1.63 lbs/SF	0.40 (Sabins/Sq. Ft.)	–	–	–	–
	1-1/2"	2.53 lbs/SF	0.50 (Sabins/Sq. Ft.)	–	–	–	–
Tectum® Create!™ Direct-Attach Ceiling & Wall Panels	1"	1.63 lbs/SF	–	0.40	0.45	0.80	0.85
Tectum Direct-Attach Ceiling & Wall Panels	1"	1.63 lbs/SF	I-Beam: 3.8 (Sabins/ 24 x 48 x 1" Tectum panel) Truss: 2.9 (Sabins/ 24 x 48 x 1" Tectum panel)	0.40	0.45	0.80	0.85
Tectum® DesignArt™ - Shapes & Tectum® DesignArt™ - Lines Direct-Attach Ceiling & Wall Panels	1"	1.63 lbs/SF	–	0.40	0.45	0.80	0.85
Tectum® DesignArt™ - Lines Tegular Ceiling Panels	1"	1.63 lbs/SF	0.40	–	–	–	–
Tectum® Fabric Walls	1"	1.63 lbs/SF	–	0.50	0.60	–	0.90
Tectum® Finale™ Ceiling & Wall Panels	1" Panel with Integral Minwool Insert & 1" Furring	3.00 lbs/SF	–	0.85	0.90	–	–
Tectum® Finale™ PB Ceiling & Wall Panels	1" Panel with Plant-Based Binder Infill & 1" Furring	3.00 lbs/SF	–	0.80	0.85	–	–
Tectum® High NRC Direct-Attach Ceiling & Wall Panels	1"	1.63 lbs/SF	–	–	0.60	–	–
Tectum High NRC Lay-in & Tegular Ceiling Panels	1"	1.63 lbs/SF	0.85	–	–	–	–
Tectum® Lay-in & Tegular Ceiling Panels	1"	1.63 lbs/SF	0.40	–	–	–	–
	1" w/ 1713 Infill	2.94 lbs/SF	0.90/CAC 33	–	–	–	–
	1-1/2"	2.53 lbs/SF	0.50	–	–	–	–
Tectum® Shapes & Clouds	1-1/2"	2.55 lbs/SF	0.50 (Sabins/Sq. Ft.)	–	–	–	–

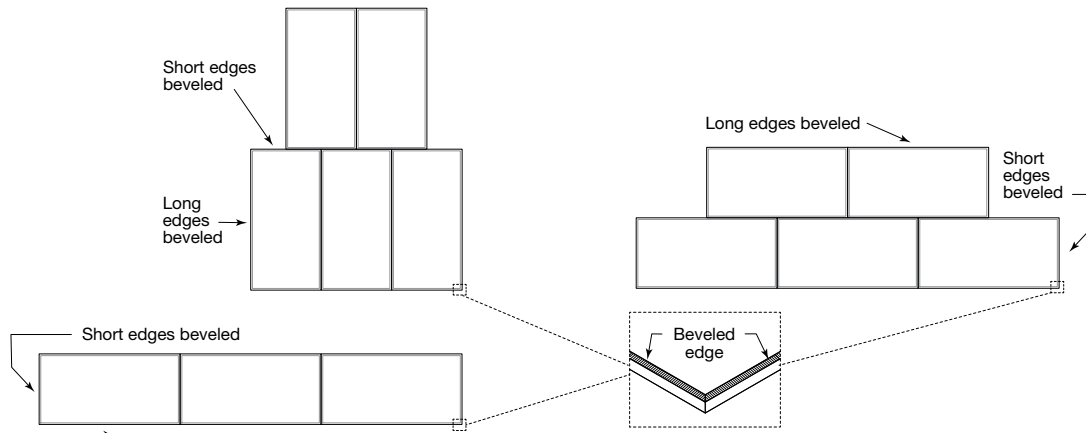


## EDGE DETAIL RECOMMENDATIONS



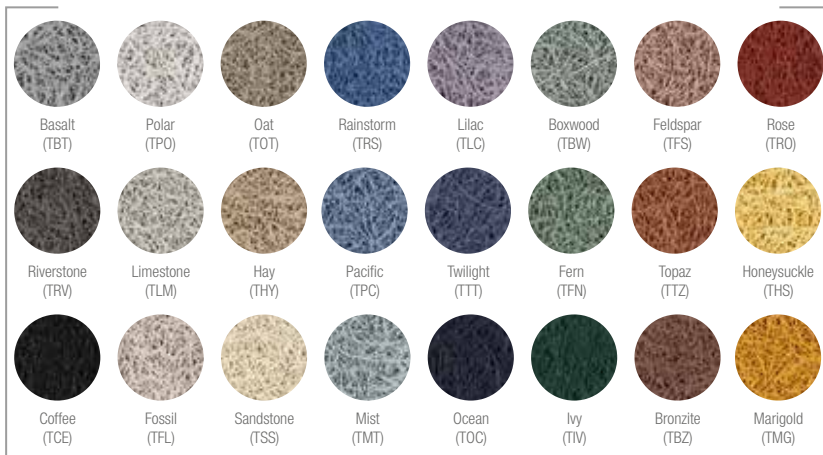
NOTE: Use Beveled Edge/Square End for the above panel layout.

NOTE: Stacked bond patterns are possible, but not recommended. Field trimming panels may be required to achieve desired fit and alignment.



NOTE: Use Beveled Edge/Beveled End panels for all adjoining panel installations.

## STANDARD COLORS



Available as standard colors for Tectum® DesignArt™ - Shapes and Tectum DesignArt - Lines only



\* Colors that are pre-qualified to meet Sustain® portfolio requirements are available upon request. Other made-to-order colors must be evaluated if sustainability criteria is required. Lead time will increase.

# TAKE THE NEXT STEP

## 1 877 276-7876

Customer Service Representatives  
7:45 a.m. to 5:00 p.m. EST  
Monday through Friday

**TechLine** – Technical information, detail drawings,  
CAD design assistance, installation information,  
other technical services – 8:00 a.m. to 5:30 p.m. EST,  
Monday through Friday. FAX 1 800 572-8324  
or email: [techline@armstrongceilings.com](mailto:techline@armstrongceilings.com)

## [armstrongceilings.com/tectum](http://armstrongceilings.com/tectum)

Latest product news  
Standard and custom product information  
Online catalog  
CAD, Revit®, SketchUp® files  
A Ceiling for Every Space® Visual Selection Tool  
Product literature and samples – express service  
or regular delivery  
Contacts – reps, where to buy, who will install

## YOU INSPIRE™ SOLUTIONS CENTER

email: [solutionscenter@armstrongceilings.com](mailto:solutionscenter@armstrongceilings.com)  
[armstrongceilings.com/youinspire](http://armstrongceilings.com/youinspire)

### Design Assistance

Collaborative design  
Detail drawings  
Specifications  
Planning and budgeting

### Pre-construction Assistance

Layout drawings for standard  
and premium products  
Project installation recommendations  
Contractor installation assistance

**you inspire™**  
solutions center

helping to bring your one-of-a-kind ideas to life

FSC® is a registered trademark of FSC Forest Stewardship Council®, A.C., license code FSC-C007626  
LEED® is a registered trademark of the U.S. Green Building Council  
Revit® is a registered trademark of Autodesk, Inc.; SketchUp® is a registered trademark of Trimble, Inc.  
Declare® is a registered trademark and Living Building Challenge® (LBC) are registered trademarks of the International Living Future Institute®  
WELL Building Standard™ is a trademark of The International WELL Building Institute (IWBI)  
UL® and UL Certified are registered trademarks of UL LLC  
All other trademarks used herein are the property of AWI Licensing LLC and/or its affiliates  
© 2021 AWI Licensing LLC • Printed in the United States of America

[armstrongceilings.com/tectum](http://armstrongceilings.com/tectum)

**Armstrong®**  
CEILING & WALL SOLUTIONS