

WOODWORKS® Ceilings Trim and Accessories




WoodWorks Grille - Forté solid wood with perimeter trim

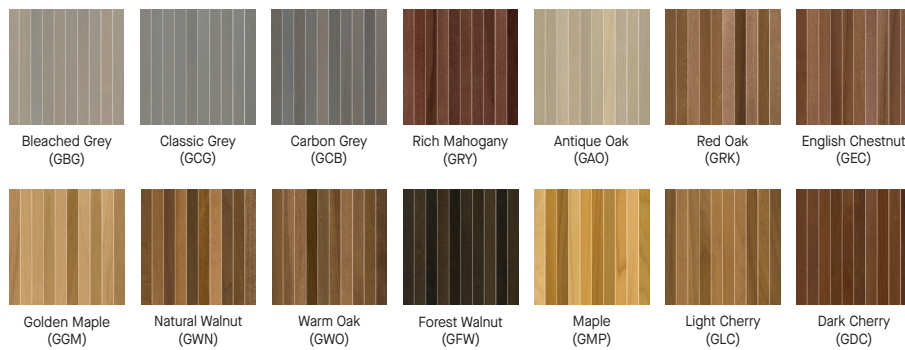
WOODWORKS® SOLID WOOD TRIM

Item No. ♦	Description	Dimensions Nominal W x L x H (Inches)	Finishes	Pieces/ Carton	Products
7146H4L96_ _ _	4" Solid Wood Trim with 4 Clips (Item 5925)	4 x 96 x 3/4"	All Solid Finishes	Bulk	WoodWorks Grille - Classics WoodWorks Grille - Forté Solid Wood WoodWorks Grille Tegular WoodWorks Linear Tegular WoodWorks Linear Solid Wood Panels WoodWorks Open Cell
7146H6L96_ _ _	6" Solid Wood Trim with 4 Clips (Item 5925)	6 x 96 x 3/4"	All Solid Finishes	Bulk	

♦ When specifying or ordering, include the 3-letter finish suffix that coordinates with your WoodWorks ceiling (e.g., 7146H4L96 G B G.)

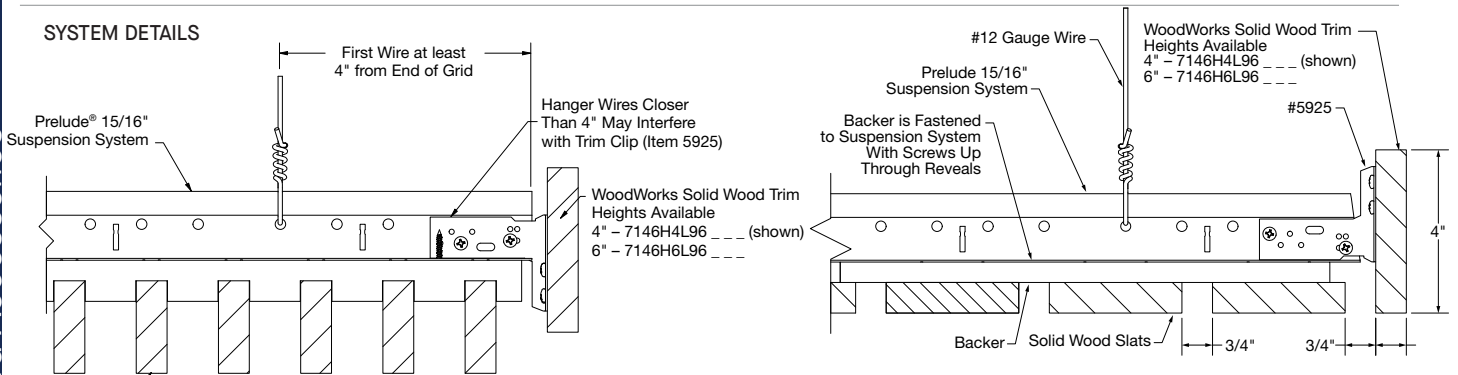
FINISH SELECTION

These finishes are pre-qualified to meet Sustain® portfolio requirements. 



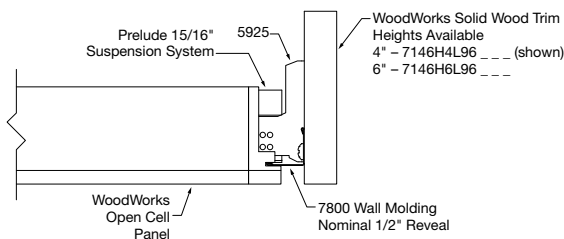
* Painted White finish is not included in the Sustain portfolio.

SYSTEM DETAILS

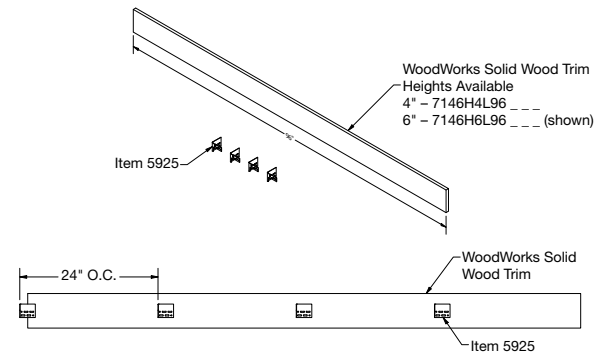


① Grille - Forté Solid Wood Perimeter Trim

② Linear Solid Wood Panels Perimeter Trim



③ Open Cell Perimeter Trim



④ Solid Wood Trim Components

WOODWORKS® Ceilings Trim and Accessories



WoodWorks Linear Veneered Panels with perimeter trim

WOODWORKS® VENEERED TRIM

Item No. ♦	Description	Dimensions Nominal L x H (Inches)	Veneers	Pieces/ Carton	Products
6481F07W1H_ _ _ _	4", 6", 8" Veneered Trim with 4 Clips – Item 5925 (With Real Wood Edgebanding on Long Edges)	96" x 3/4"	NWM, NWA, NVF, NRO, NOK, NPC, NQM, NGS, NQW, NWN	1	WoodWorks Grille – Forté Veneered
6481F01W1H_ _ _ _	4", 6", 8" Veneered Trim with 4 Clips – Item 5925 (With Faux Wood Edgebanding on Long Edges)	96" x 3/4"	All Veneers	1	WoodWorks Tegular WoodWorks Vector WoodWorks Channeled Tegular WoodWorks Channeled Vector WoodWorks Channeled Planks WoodWorks Concealed WoodWorks Linear Veneered Panels WoodWorks Linear Veneered Open WoodWorks Linear Veneered Closed WoodWorks Shapes
6408_ _ _ _	3/4" Coordinating Faux Wood Edgeband	3/4" x 300"	All Veneers	25 LF	
6408D5_ _ _ _	1-1/4" Coordinating Faux Wood Edgeband	1-1/4" x 300"	NWM, NWA, NVF, NRO, NOK, NPC, NQM, NGS, NQW, NWN	25 LF	

♦ When specifying or ordering, include the height (4, 6, or 8) and 3-letter veneer suffix that coordinates with your WoodWorks ceiling (e.g., 6481F07W1H 4 N W M)

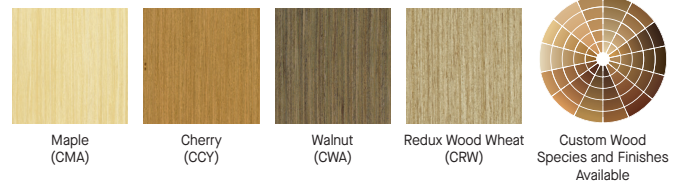
VENEER SELECTION



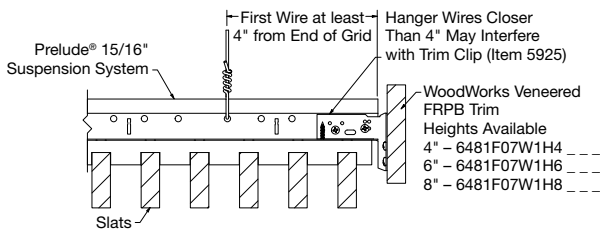
Natural Variations™



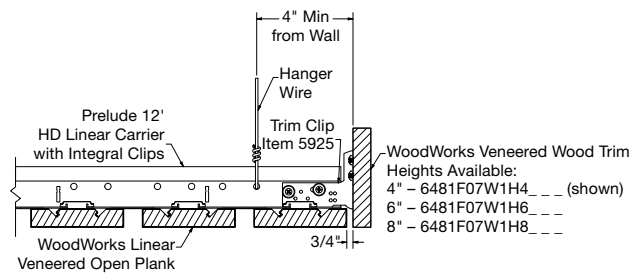
Constants™



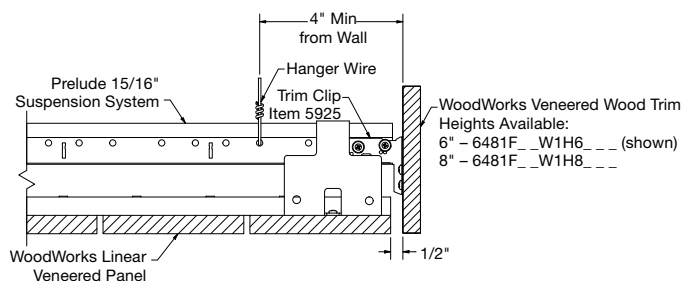
SYSTEM DETAILS



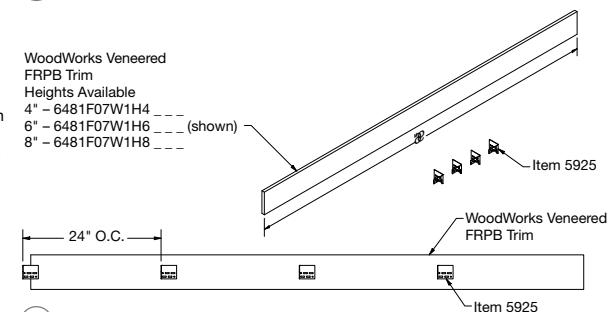
① Grille – Forté Veneered Perimeter Trim



② Linear Veneered Open Perimeter Trim



③ Linear Veneered Panels Perimeter Trim



④ Veneered Trim Components

WOODWORKS® Ceilings Trim and Accessories



WoodWorks Tegular panels with perimeter trim

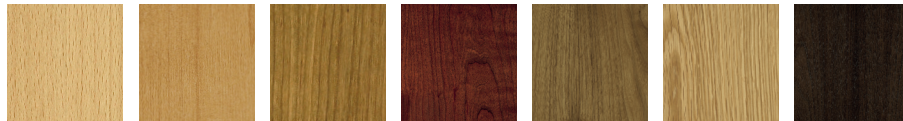
WOODWORKS® VENEERED TRIM

Item No. ♦	Description	Dimensions Nominal W x L x H (Inches)	Veneers	Pieces/ Carton	Products
5415W1_ _ _	4" Veneered Trim with 4 Clips – Item 5925 (FSC® certified wood substrate & Faux Wood Edgebanding on Long Edges)	4 x 96 x 3/4"	NBE, NMP, NLC, NDC, NWN, NOK, NWE, CMA, CCY, CWA, CRW	6	WoodWorks Tegular WoodWorks Vector
5419W1_ _ _	6" Veneered Trim with 4 Clips – Item 5925 (FSC-certified wood substrate & Faux Wood Edgebanding on Long Edges)	6 x 96 x 3/4"	NBE, NMP, NLC, NDC, NWN, NOK, NWE, CMA, CCY, CWA, CRW	4	

♦ When specifying or ordering, include the 3-letter veneer suffix that coordinates with your WoodWorks ceiling (e.g., 5415W1 N M P)

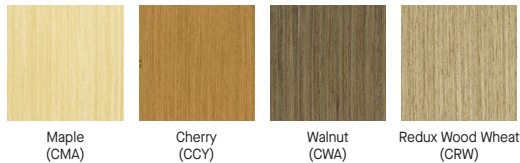
VENEER SELECTION

Natural Variations™

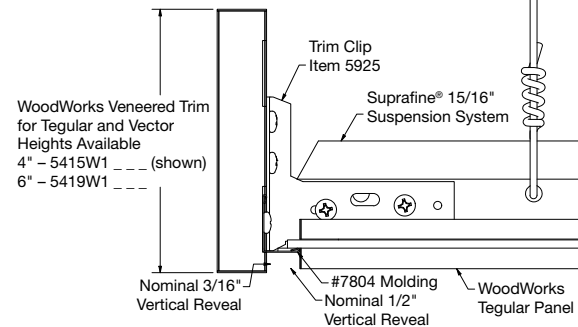


Custom Wood Species and Finishes Available

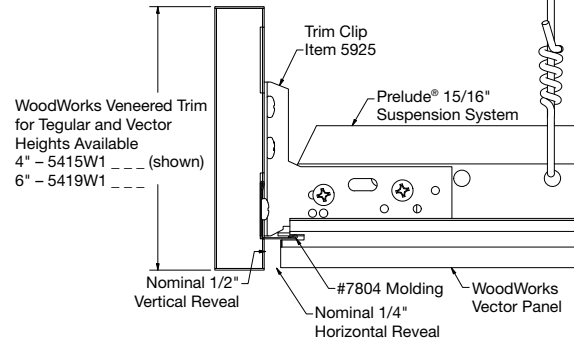
Constants™



SYSTEM DETAILS



① Tegular Panel Perimeter

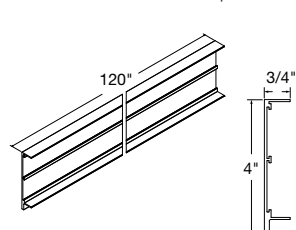


② Vector Panel Perimeter Trim

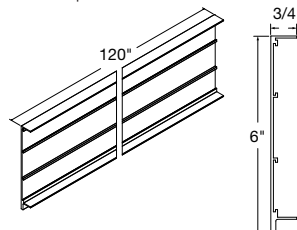
PAINTED METAL TRIM

Item No.	Description	Product	Color	Dimensions Nominal H x L (Inches)	Pieces/ Carton
5344BL	WoodWorks® Trim Aluminum Substrate	All WoodWorks Products	Black	4" x 120"	6
5346BL	WoodWorks Trim Aluminum Substrate	All WoodWorks Products	Black	6" x 120"	6
6603W1BL	WoodWorks Concealed Trim	WoodWorks Concealed, WoodWorks Linear Veneered Panels	Black	6" x 120"	6

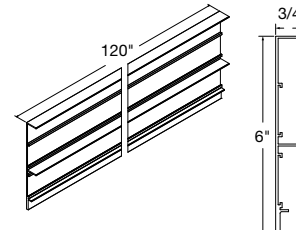
NOTE: Each carton includes 30 pieces of FXTBC, 6 pieces of FX4SPICE, 4 pieces of FXSPICE, and a 1/2" Allen Wrench.



① 5344BL - 4" Black Alum. Trim



② 5346BL - 6" Black Alum. Trim



③ 6603W1BL - 6" Black Concealed Trim

WOODWORKS® Ceilings Trim and Accessories



WoodWorks Tegular panels with Axiom perimeter trim

AXIOM® TRIM

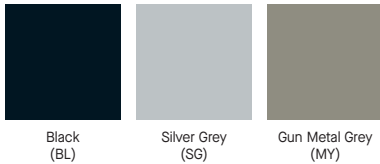
Item No. ◆	Description	Dimensions Nominal L x H (Inches)	Colors	Pieces/ Carton	Products
AX4VESTR __	4" Axiom Vector Straight Trim	120" x 3/4"	SG, BL, MY	N/A	4" Height Axiom: WoodWorks® Tegular WoodWorks Vector WoodWorks Channeled Tegular WoodWorks Channeled Vector WoodWorks Grille Tegular WoodWorks Linear Tegular WoodWorks Open Cell
AX4VECUR __	4" Axiom Vector Curved Trim	120" x 3/4"	SG, BL, MY	N/A	
AX6VESTR __	6" Axiom Vector Straight Trim	120" x 3/4"	SG, BL, MY	N/A	
AX8VESTR __	8" Axiom Vector Straight Trim	120" x 3/4"	SG, BL, MY	N/A	
AX6VECUR __	6" Axiom Vector Curved Trim	120" x 3/4"	SG, BL, MY	N/A	
AX8VECUR __	8" Axiom Vector Curved Trim	120" x 3/4"	SG, BL, MY	N/A	
AX _ VEISCP __	4", 6", 8" Inside Corner Post	12" L x 3/4" H	SG, BL, MY	N/A	6" and 8" Height Axiom: WoodWorks Channeled Planks WoodWorks Grille – Classics WoodWorks Grille – Forté Solid Wood WoodWorks Grille – Forté Veneered WoodWorks Grille Tegular WoodWorks Linear Tegular WoodWorks Linear Veneered Panels WoodWorks Linear Veneered Open WoodWorks Linear Veneered Closed WoodWorks Open Cell
AX _ VEOSCP __	4", 6", 8" Outside Corner Post	3/4" L x 3/4" H	SG, BL, MY	N/A	
AXTBC	T-Bar Connector Clip	N/A	Mill Finish	10	
AXVTBC	T-Bar Clip for Vector Panel	N/A	Mill Finish	10	
AXSPICE2	Axiom Splice Plate with Screws	N/A	Mill Finish	1	
7239*	Adjustable Trim Clip	N/A	Mill Finish	50	

◆ When specifying or ordering, include the 2-letter color suffix that coordinates with your WoodWorks® ceiling (e.g., AX4VESTR B L)

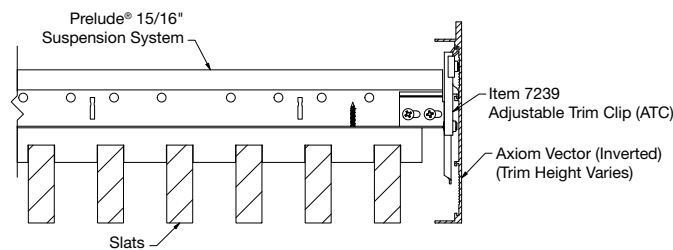
* Allows Axiom trim to be positioned up to 3-3/4" below the grid face to accommodate deeper panel offsets (best aesthetic with Axiom ≥ 6" tall).

COLOR SELECTION

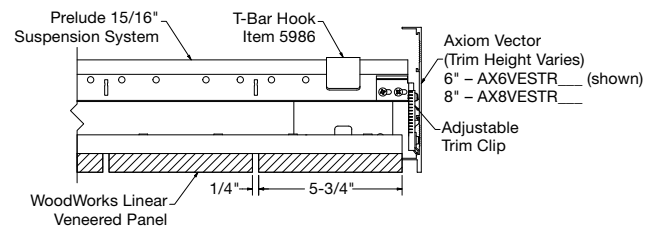
Painted Finishes



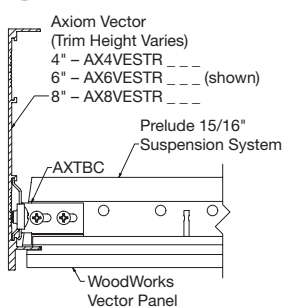
SYSTEM DETAILS



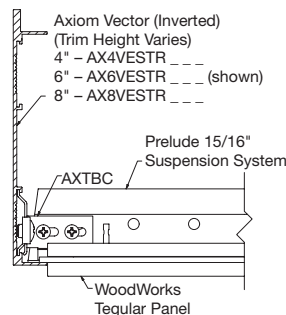
① Grille – Forté Axiom Perimeter Trim



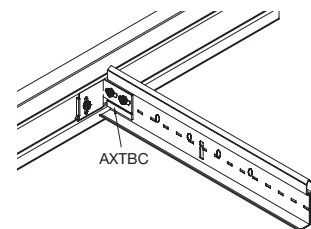
② Linear Veneered Panels Axiom Perimeter Trim



③ Vector Panel Axiom Perimeter Trim



④ Tegular Panel Axiom Perimeter Trim



⑤ Axiom to Main Beam Detail

WOODWORKS® Ceilings Trim and Accessories

ACCESSORIES

	Item No. ♦	Description	Dimensions W x L x H (Inches)	Color	Pcs./ Ctn.
Installation Accessories	7805BL*	10' Angle Molding	1-1/2 × 120 × 1-1/2"	Tech Black	30
	7823BL*	10' Shadow Molding	2 × 120 × 1-1/4 × 3/4"	Tech Black	10
	7804BL	Angle Molding (recommended with wood trims)	7/8 × 144 × 9/16"	Black	30
	FXTBC	T-Bar Connector Clip	N/A	Mill Finish	10
	FXVTBC	T-Bar connector Clip for Vector® panels	N/A	Mill Finish	10
	FXSPICE	Splice Plate with Setscrews	N/A	Mill Finish	10
	FX4SPICE	Splice Plate with Setscrews	N/A	Mill Finish	10
	6459BL	Rigid Attachment Clip	1-7/16" x 4-1/2"	Black	25
	6091	Safety Cable	N/A	Mill Finish	50
	7425	24" Stabilizer Bar – Vector	24" L	Mill Finish	100
	7445	48" Stabilizer Bar – Vector	48" L	Mill Finish	100
	7891	12-Gauge Hanger Wire	144" Length	Mill Finish	140
	92715A620	Self-tapping Screw	#2 × 3/4" Length	Black	25
	SH12	Support Hanger	144" x 24"	Mill Finish	12
	7239	Adjustable Trim Clip	N/A	Mill Finish	50
	AXSJ	Axiom® Slip Joint	2 × 120 × 2-1/4"	N/A	10 LF
	7805	1-1/2" Angle Molding	1-1/2 × 120 × 1-1/2"	White or Black	30
	UHDC	Universal Hold-down Clip	N/A	Mill Finish	100
	FZUHDC	FastShip™ Universal Hold-Down Clip	N/A	Mill Finish	50
	CHDC	Clear Hold-down Clip	N/A	Clear Plastic	50
	414	Retention Clip	N/A	Mill Finish	100
	FZ414	FastShip Retention Clip	N/A	Mill Finish	50
	442	Vector Hold-down Clip	N/A	Mill Finish	50
	5457GAL1_ _ _	WoodWorks® Solid End-Stain (Gallon)	N/A	All Finishes	1 Gallon
	5457QT1_ _ _	WoodWorks Solid End-Stain (Quart)	N/A	All Finishes	1 Quart
	7290GBL	Flat Backer Kit	7/8 × 12 × 1/2"	Black	18
	7800BL	Angle Wall Molding	7/8 × 144 × 7/8"	Black	30
	7100	Heavy-duty Wall Anchor	1-1/4 × 3 × 1"	Mill Finish	50
	7104	Torsion Spring Saddle	N/A	Mill Finish	25
	7105	Torsion Spring Bracket	N/A	Mill Finish	25
	7106	Heavy-duty Torsion Spring	N/A	Mill Finish	25
	5925	Replacement Trim Clips	N/A	Mill Finish	25
	6571_ _ _	8' Ledger	96" x 1"	All Finishes	1
7290NOL24GBL	WoodWorks Tegular Backer – Square End	23-3/4 × 1-1/2 × 1/2"	Black	12	
7290N2L24GBL	WoodWorks Tegular Backer – Notched End	23-3/4 × 1-1/2 × 1/2"	Black	12	
BERC2	Beam End Retaining Clip	N/A	Mill Finish	200	

♦ When specifying or ordering, include the 3-letter finish suffix that coordinates with your WoodWorks ceiling (e.g., 5457GAL1 G B G)
* This color is a special order item with these moldings.

WOODWORKS® Ceilings Trim and Accessories

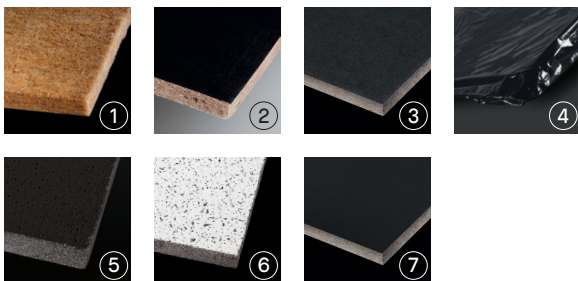
ACOUSTICAL INFILL PANELS

ACOUSTICAL PERFORMANCE

Item No.	Description	Dimensions (Nominal W x L x H)	Color	Pcs/Ctn	Sound Absorption (NRC)	+	Sound Blocking (CAC)	=	Total Acoustics ¹ (NRC + CAC)
2820/2820BK	Calla® Square Lay-in Panel	24 × 24 × 1"	White or Black	10	0.85		35		BEST ((()))
2821BK	Calla Square Lay-in Panel	24 × 48 × 1"	Black	10	0.85		35		BEST ((()))
2864BK	Calla Square Lay-in Panel	24 × 72 × 1"	Black	10	0.85		35		BEST ((()))
1713/1713BL	School Zone® Fine Fissured™ Square Lay-in Panel	24 × 24 × 3/4"	White or Black	12	0.70		35		BETTER ((()))
1714	School Zone Fine Fissured Square Lay-in Panel	24 × 48 × 3/4"	White	8	0.70		40		BETTER ((()))
1318	Backstage Noir® Square Lay-in Panel	24 × 24 × 3/4"	Black	12	0.75		30		N/A
1319	Backstage Noir Square Lay-in Panel	24 × 48 × 3/4"	Black	6	0.75		30		N/A
5479	BioAcoustic™ Infill Panel	24 × 24 × 5/8"	Beige Matte	12	0.75		N/A		N/A
5823	BioAcoustic Infill Panel	24 × 24 × 5/8"	Black Matte	12	0.75		N/A		N/A
6657	BioAcoustic Infill Panel	11 × 48 × 5/8"	Black Matte	12	0.75		N/A		N/A
8200T10	Fiberglass Infill Panel	24 × 24 × 1"	Black Gloss	12	0.75		N/A		N/A
747*	Cortega® Square Lay-in Panel	24 × 48 × 5/8"	White	8	0.55		40		N/A
1728BL	Fine Fissured™ Square Lay-in Panel	24 × 24 × 5/8"	Tech Black	16	0.55		33		N/A

* Recommended for high CAC acoustical performance with MetalWorks™ Extra Microperforated panels.
¹ Total Acoustics® ceiling panels have an ideal combination of sound absorption and sound blocking in one product.
GOOD (NRC 0.60-0.65; CAC 35+) **BETTER** (NRC 0.70-0.75; CAC 35+) **BEST** (NRC 0.80+; CAC 35+)

INFILL PANEL OPTIONS



1. BioAcoustic Infill Panel – Beige
2. BioAcoustic Infill Panel – Black
3. Backstage Noir Square Lay-in Panel – Black
4. 1" Fiberglass Infill Panel (in poly bag)
5. Fine Fissured Square Lay-in Panel – Black
6. Cortega Square Lay-in Panel
7. Calla Square Lay-in Panel – Black