

# WOODWORKS® Linear – Solid Wood Panels

## Integrated Light Connection Clip Assembly and Installation Instructions

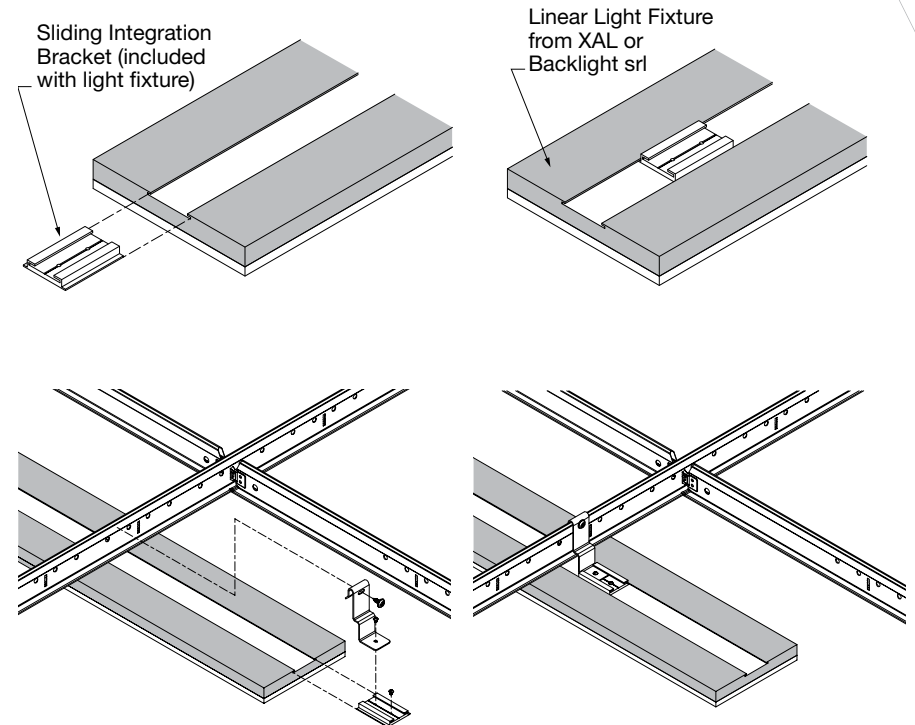
This installation guide is a supplement to the standard WOODWORKS® Linear Solid Wood Panels installation instructions.

### 1. SOLUTION OVERVIEW

Integrated Light Connection Clips enable installation of Backlight® srl CHIARO light fixture and XAL® PANO Low-Profile Linear Plank light fixture with the specified panel – eliminating the need for modification of the grid system and independent suspension of the light fixture. System ensures the Sliding Integration Bracket is housed in the lighting track, while the Integrated Light Connection Clip slides into and is secured in the Sliding Integration Bracket. The Integrated Light Connection Clip is attached to the Armstrong® Ceiling Heavy Duty Prelude® XL® Suspension System. Continuous and discontinuous lighting layouts are possible with this system.

**NOTE:** Linear light fixtures and Sliding Integration Bracket are sold by Backlight srl and XAL.

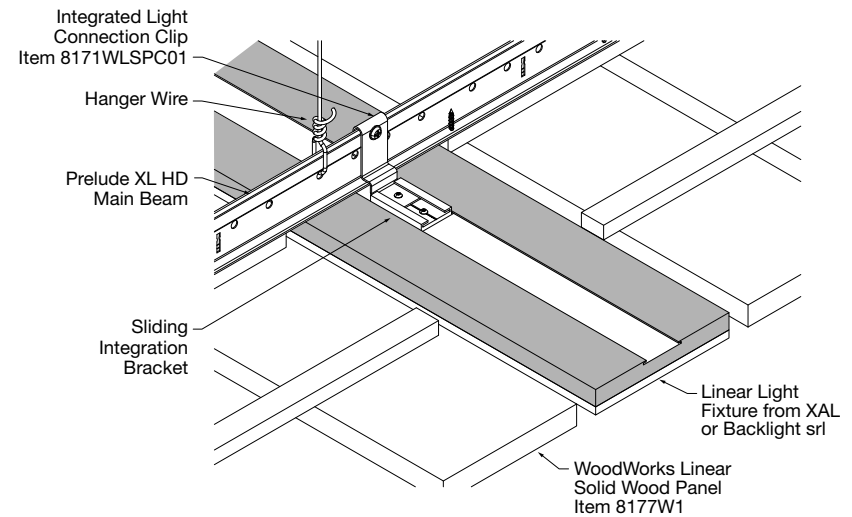
These instructions represent interior installations only for WOODWORKS® Linear Solid Wood panels. This integrated solution should not be applied in an exterior application



Installation of this ceiling and integrated lighting solution will require coordination between the ceiling contractor and the electrical contractor. WOODWORKS® Solid Wood panels with Lighting Integration is a progressive installation, meaning the lights and the ceilings panels must be installed at the same time.

The following installation instructions recommend installation by different trades for the purpose of assigning responsibilities during installation. However, role clarification can be determined on a job-per-job basis. General contractor should work with electrical contractor and ceiling contractor to clearly assign responsibilities.

As with all integrated construction solutions, coordination and collaboration between trades is critical for a successful and efficient installation.



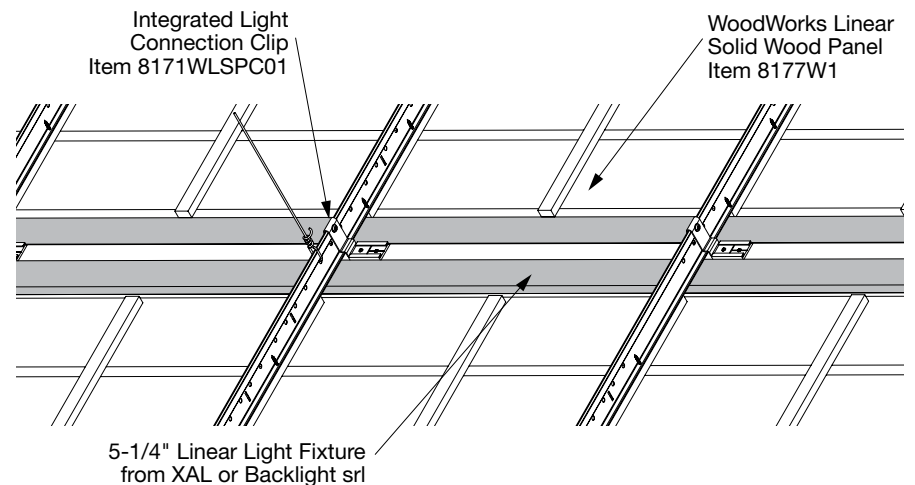
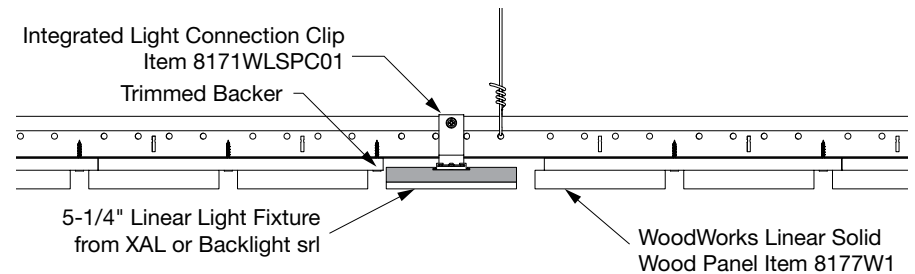
## 2. DESIGN CONSIDERATIONS

### 2.1 Lights

- Lights must be supported by attachment to the grid at no more than 2' O.C.
- Lights must be supported within 1' of each end (max cantilever of 12" from nearest support)
- Length of lights are designed to coordinate with the length of panels
- Lights must be installed parallel with linear visual of panels
- Only one light may be installed in a modified panel
- Lights must be installed within field of install and not integrated into cut perimeter panels

### 2.2 WOODWORKS Linear Solid Wood Panels

- Width of lights must match the width of slats within the panel (3-1/4" with Item 8176W1, 5-1/4" with Item 8177W1)
- Reveal between light and planks will coordinate with the reveal from plank to plank
- Modified panels must be screw-attached to the grid following standard instructions
- Coordination between ceiling contractor and electrician is required for installation



Top View

## 2.3 Suspension System

The suspension system does not require modification and must be installed following the standard WOODWORKS® Linear Solid Wood Panels instructions.

## 3. SYSTEM MODIFICATIONS

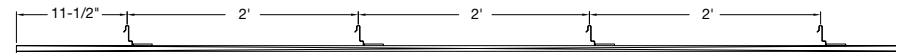
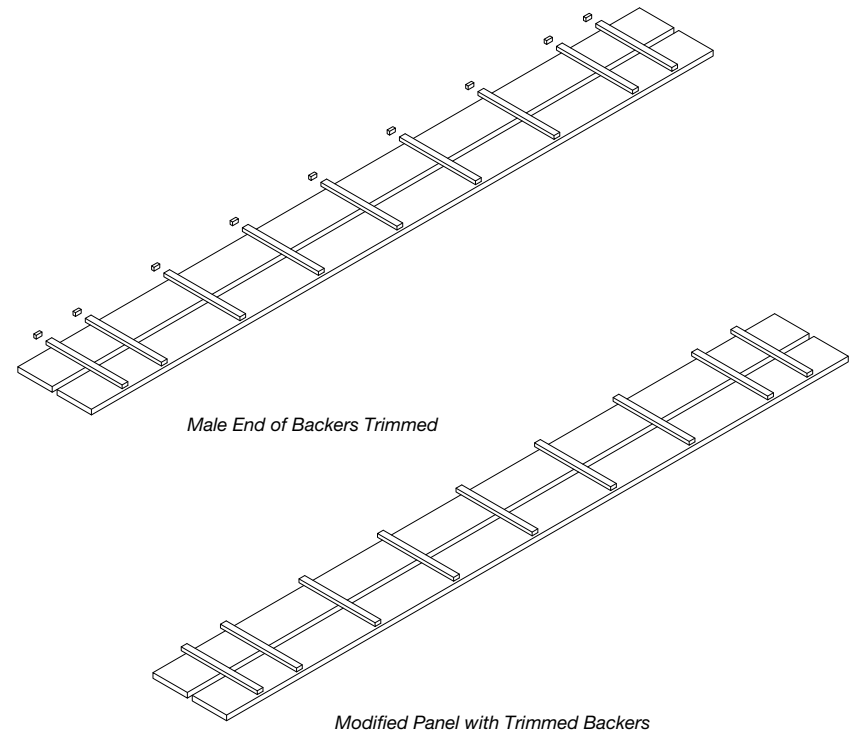
The following installation method is for interior installations of WOODWORKS Linear Solid Wood panels only. WOODWORKS Linear Solid Wood panels should be securely fastened to the suspension system following the requirements in the standard installation instructions (see section 7 of the WOODWORKS Linear Solid panels Interior Installation Instructions).

### 3.1 Standard Panel Modification – Trimming Panel Backers

Full-size panels will be ordered and used in this installation. The only modification that is needed is to trim 3/8" off of the panel's male backers so that they extend 3/4" past the edge of the plank. This will ensure that the reveal between lights and panels matches the panel to panel reveal.

### 3.2 Integrated Light Connection Clips Spacing

Integrated Light Connection Clips should be spaced so that the center of the feature that hooks over the grid is 11-1/2" from the end of the fixture, and every 24" O.C. thereafter (*Fig 1*). This will ensure that the length of the light will be aligned with the length of the panels. See detail below referencing the general locations of the Sliding Integration Brackets for a standard 95" lighting fixture. There are four Sliding Integration Brackets per 95" light.



(Fig 1)

## 4. INSTALLATION OF THE ASSEMBLY

Install the WOODWORKS® Linear Solid Wood panels per standard installation instructions, following the screw-attachment method. Position the Integrated Light Connection Clip with appropriate spacing from the previously installed panel's final plank.

Once the Integrated Light Connection Clips are secured to the grid, the compatible lighting fixture and driver should be installed by a qualified electrician in accordance with the light manufacturer's instructions. Light is to be installed during the progressive installation rather than after all ceiling product. After the light is installed, continue the installation by installing the field-modified panel up to the light to continue the 3/4" reveal. Then, resume installation of the full-size WOODWORKS Linear Solid Wood panels following standard installation instructions. Staggered light layouts are approved for this installation.

## 5. SEISMIC

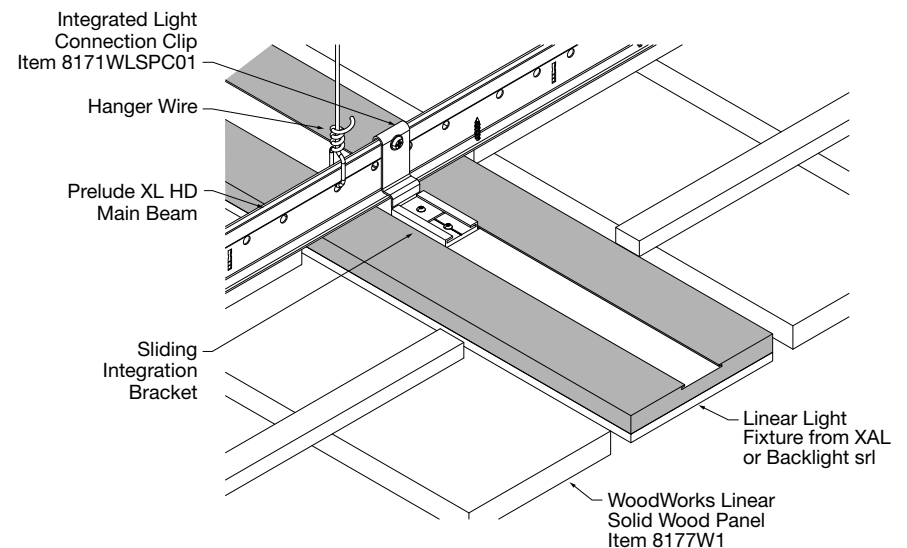
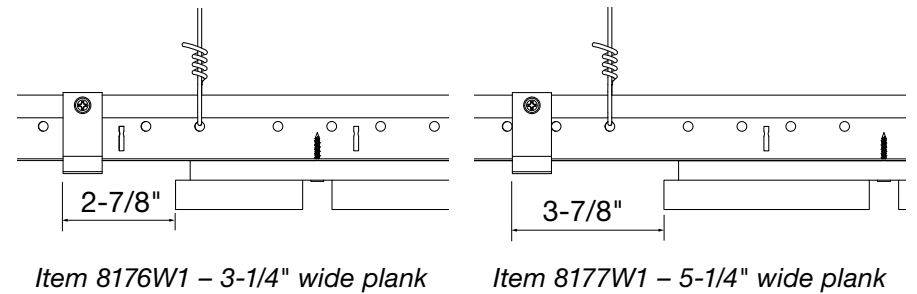
This system has been engineered for application in seismic areas based on the instructions listed in this document and has been successfully tested in applications simulating seismic design categories D, E, and F. Refer to the seismic section in the standard WOODWORKS Linear Solid Wood panels instructions for all requirements related to seismic performance for this product.


All Integrated Light Connection Clips must be screw attached to the bulb of the grid system with metal framing screws (minimum of #8 x 1/2") provided by the contractor.

Certain jurisdictions may have additional requirements for lighting systems. Consult your local authority having jurisdiction for specific requirements.

## 6. LIGHTING FIXTURES

Compatible with Backlight® srl CHIARO light fixture and XAL® PANO Low-Profile Linear Plank light fixture. For detailed lighting information, contact your local Backlight srl or XAL representative.



Clip Item No.	Description	Coordinating WoodWorks® Solid Wood Panel Item No.	Panel Field Modification Required*	Compatible Partner Light Fixture Dimensions W x L (Inches)	Clips Required per Light Fixture
<b>WoodWorks® Linear Solid Wood Panels</b>					
<b>8171WLSPC01</b> 	Integrated Light Connection Clip	8176W1	Male end of backer trimmed to 3/4"	3-1/4" x 95"	4
		8177W1	Male end of backer trimmed to 3/4"	5-1/4" x 95"	4

\*Made-to-order panels that eliminate the need for field modification of standard panels are available via ASQuote@armstrongceilings.com

## MORE INFORMATION

For more information, or for an Armstrong Ceilings representative, call 1 877 276 7876.

For complete technical information, detail drawings, CAD design assistance, installation information, and many other technical services, call TechLine customer support at 1 877 276 7876 or FAX 1 800 572 TECH.

Inspiring Great Spaces® is a registered trademark of AFI Licensing LLC; XAL® is a registered trademark of XAL Inc.; Backlight® srl is a registered trademark of BACKLIGHT srl; All other trademarks used herein are the property of AWI Licensing LLC and/or its affiliates.

© 2020 AWI Licensing Company Printed in the United States of America

BPLA-299429-320

